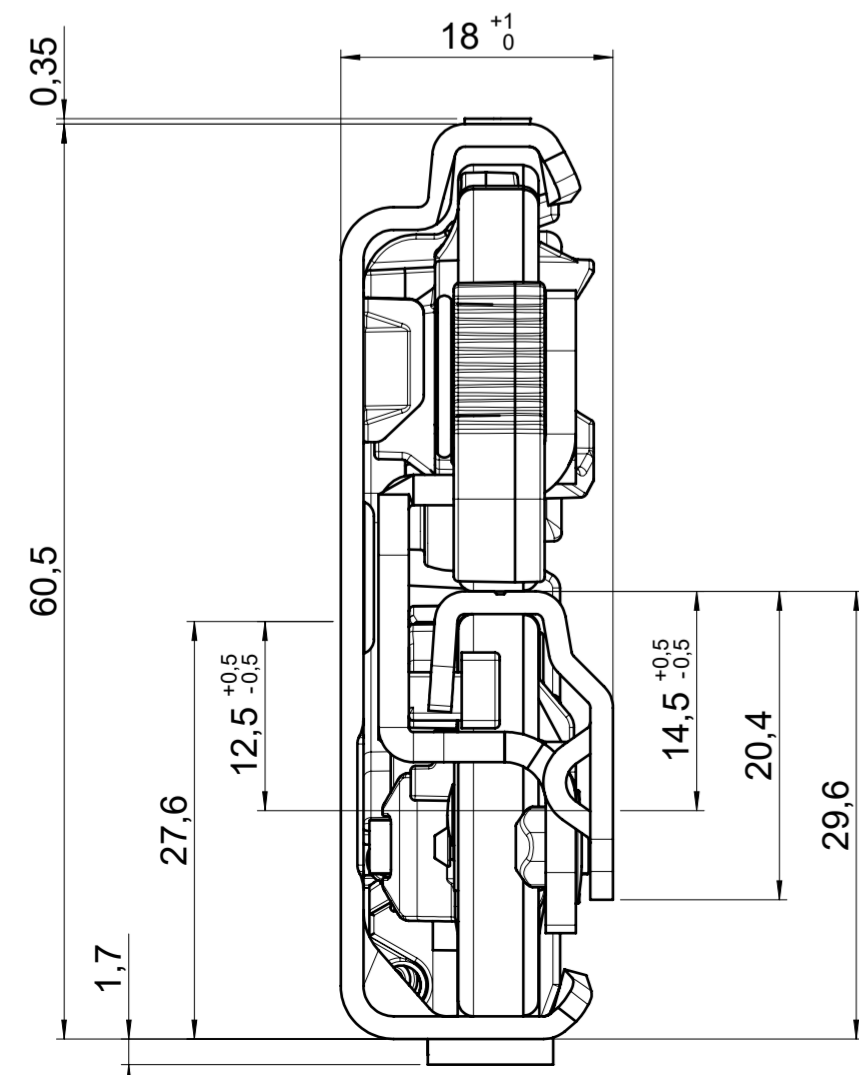
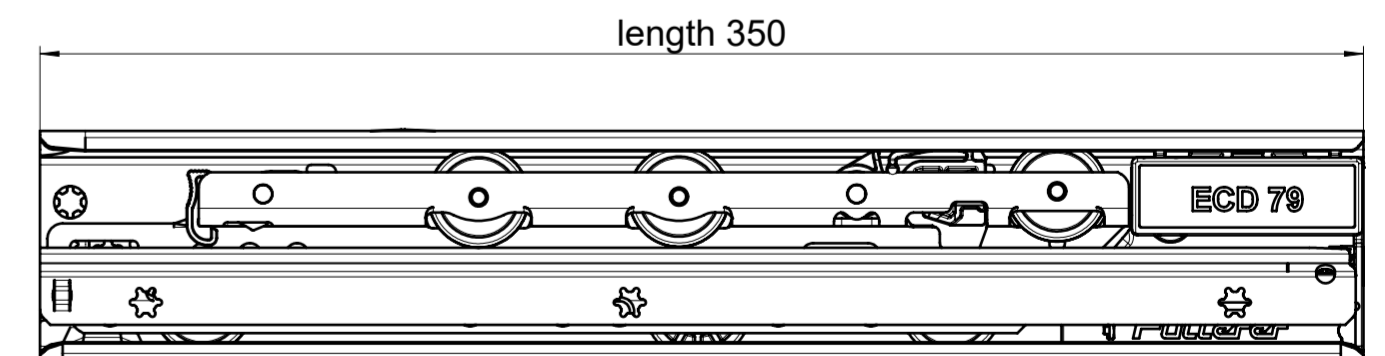
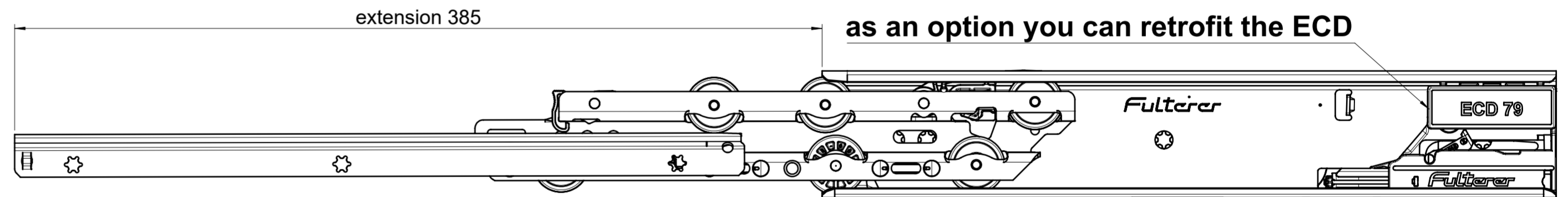
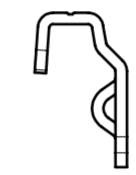
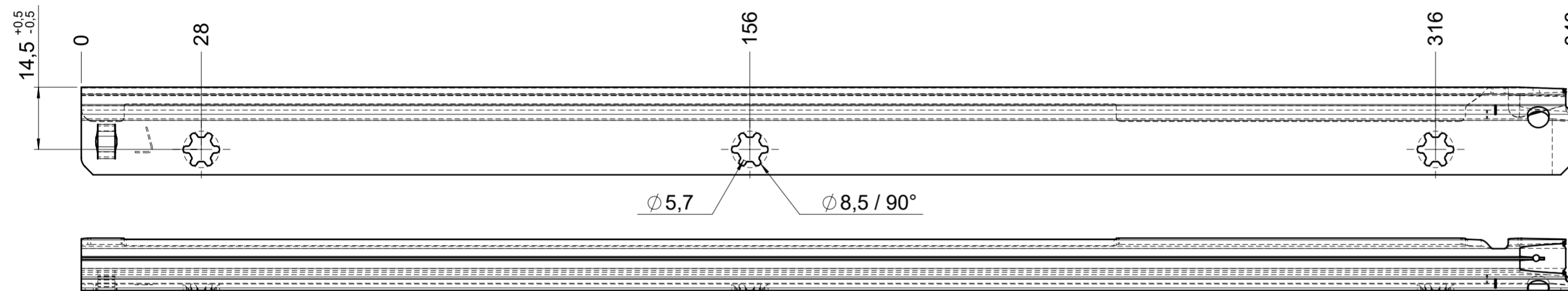
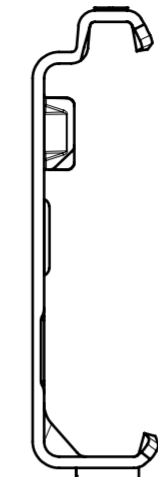
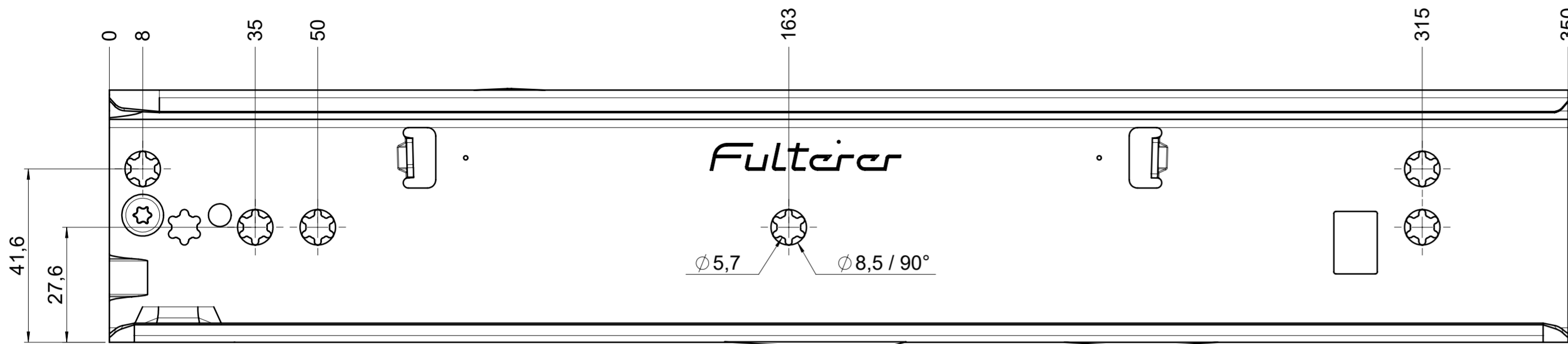



drawn on the left (mirrored on the right)



final approval	customer name:
	signed by:
	date:

all dimensions in mm			
missing dimensions see 3D = theor. intersection	scale: 1:1	surface/color:	material: CS (technical requirements Fulterer)
prototype approval	drawn: 2023-10-09 RK	date:	description: FR 795-350 CS EN (mm) progressive-action over-extension drawerslide / side mount
	proven: 2024-01-12 RK		
 Fulterer AG & Co KG A-6890 Lustenau Fulterer AG CH-9430 St. Margrethen		drawing number: CS# 795.350-GA.L500	
		replaces the edition:	
ind. changes			covered according to DIN ISO 16016