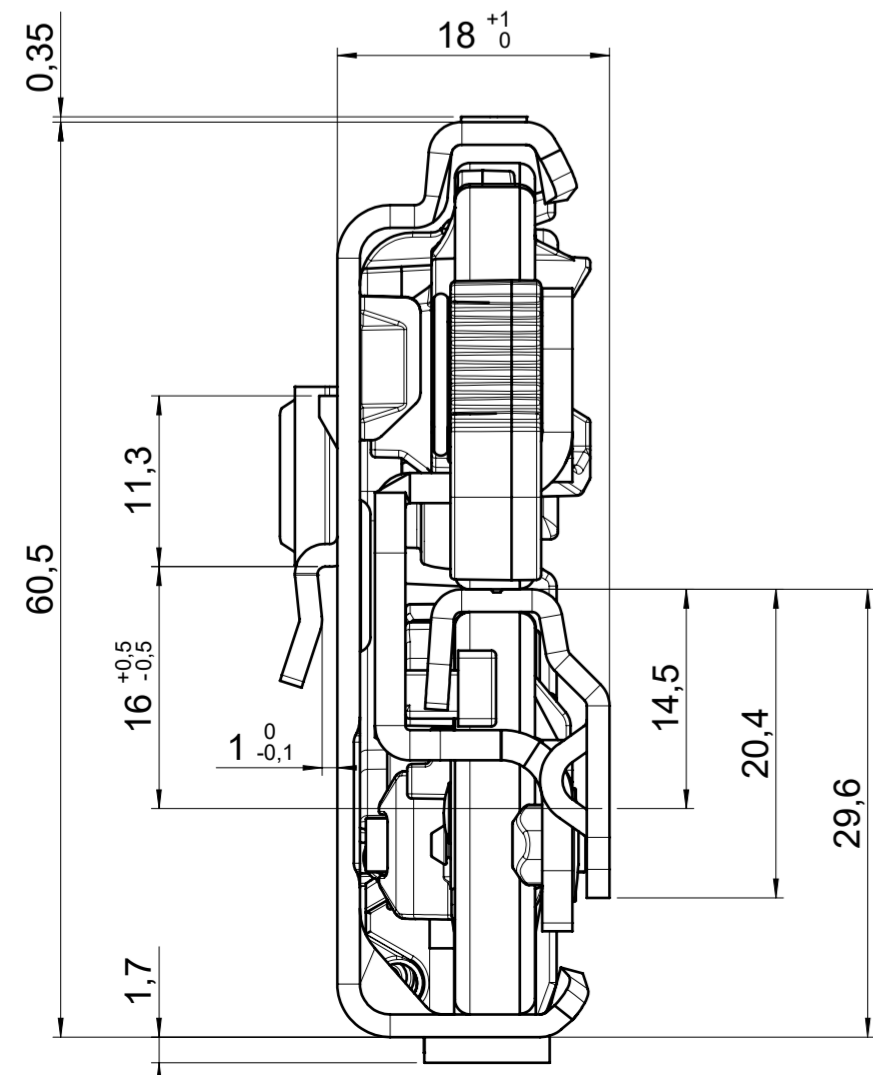
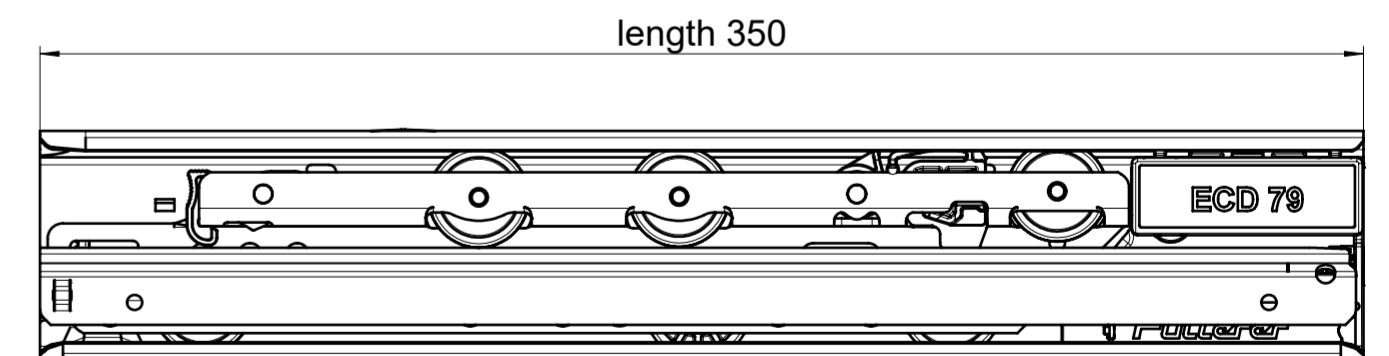
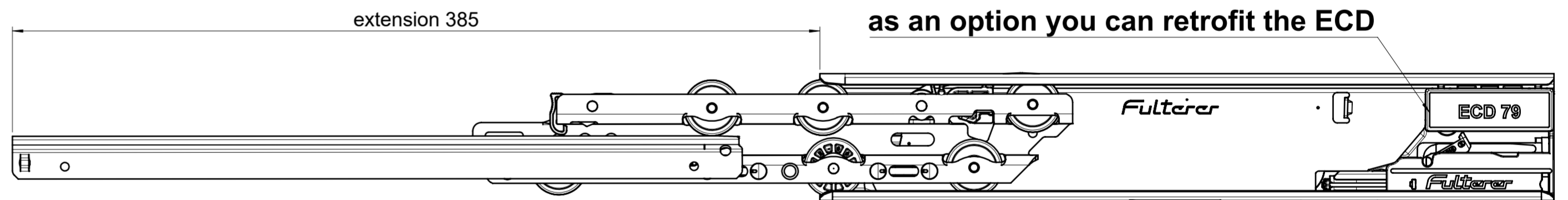
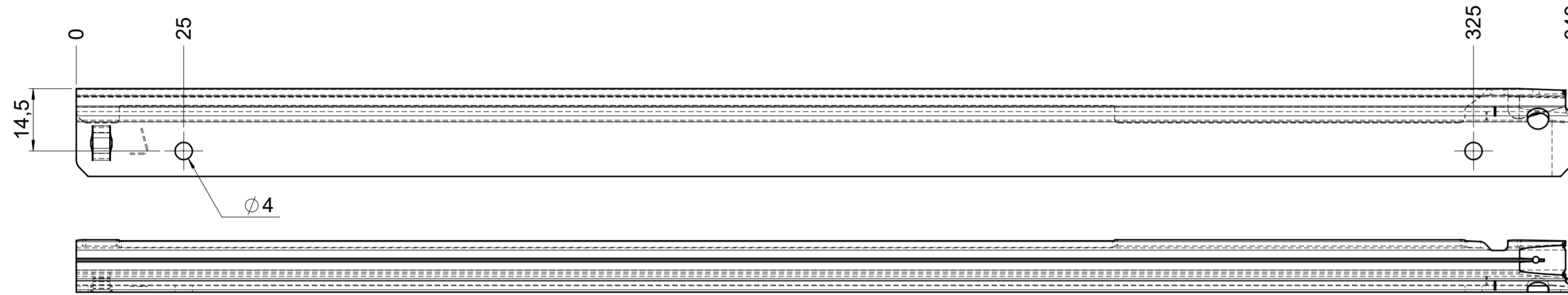


drawn on the left (mirrored on the right)



| | |
|-----------------------|----------------|
| final approval | customer name: |
| | signed by: |
| | date: |

| all dimensions in mm | | | |
|--|---------------|----------------|---|
| missing dimensions see 3D ∅ = theor. intersection | scale: 1:1 | surface/color: | material: CS (technical requirements Fulterer) |
| prototype approval | drawn | date | description: FR 795-350 CS EN (mm) progressive-action over-extension drawerslide / side mount |
| | proven | name | |
| <input type="radio"/> PDM <input type="radio"/> ind. changes | 2023-12-20 | RK | Fulterer Fulterer AG & Co KG A-6890 Lustenau Fulterer AG CH-9430 St. Margrethen |
| | 2024-01-12 | RK | |
| drawing number: CS# 795.350-GA.L525 | | | replaces the edition: |
| This drawing remains our property and may not be multiplied neither be disclosed to third parties (§§1.3 and 5 from the copyright Act (UrHG)). | | | covered according to DIN ISO 16016 |