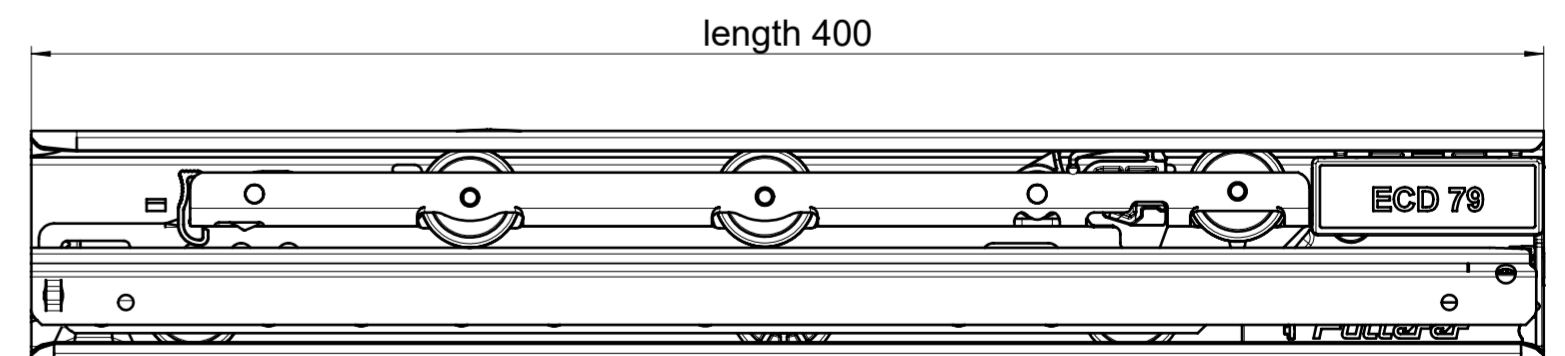
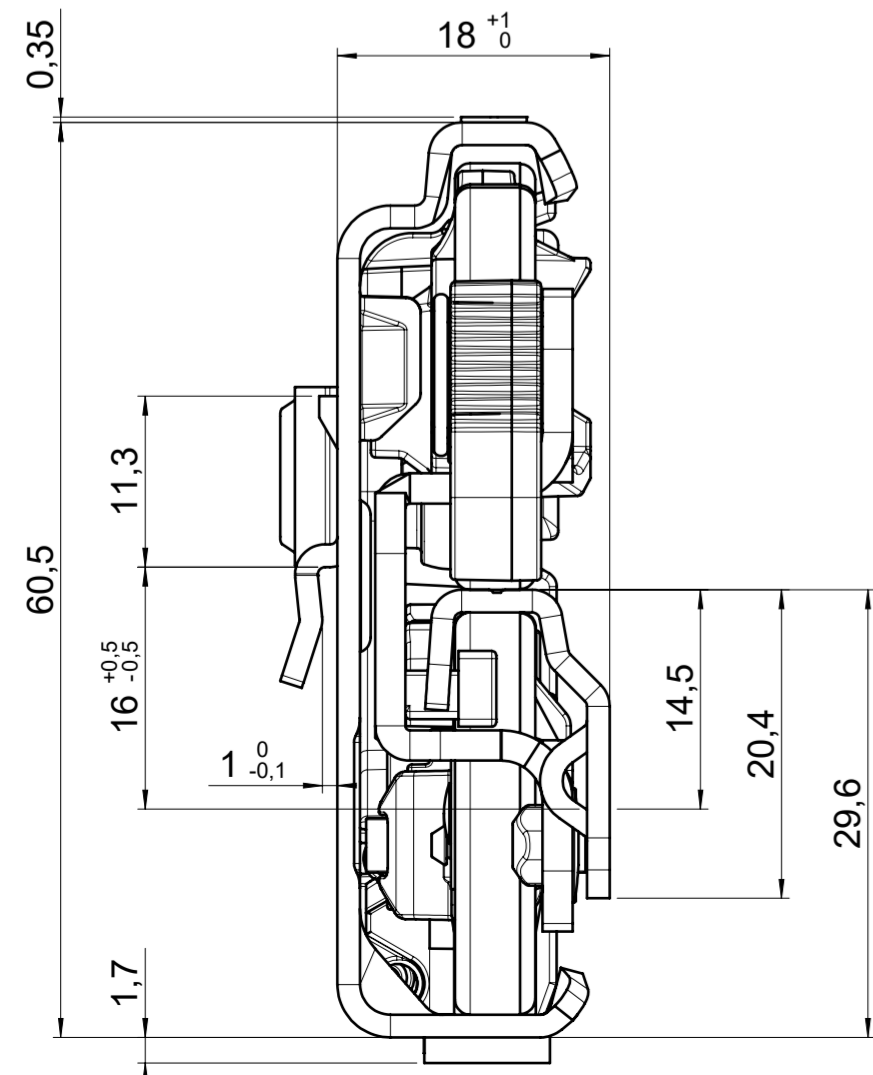
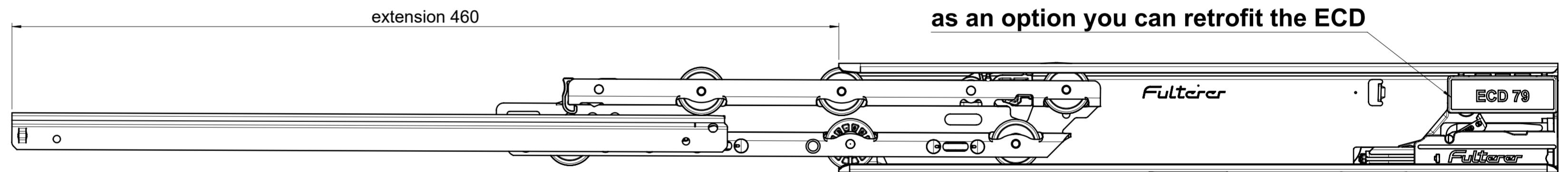
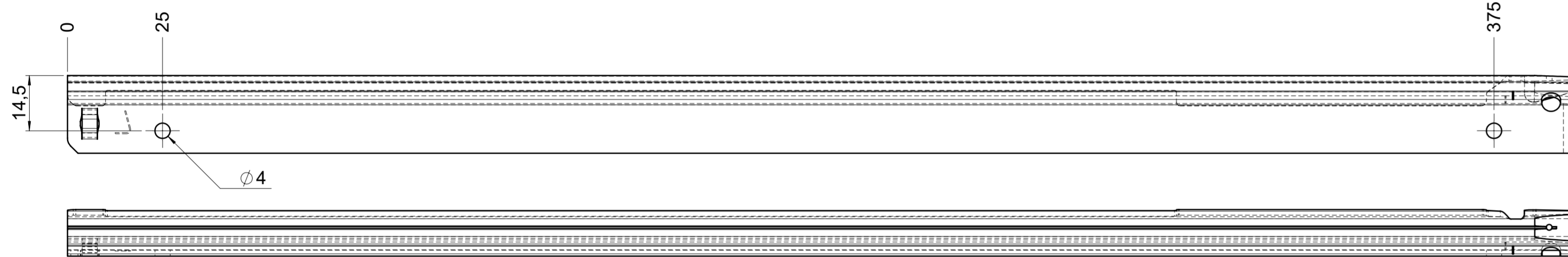
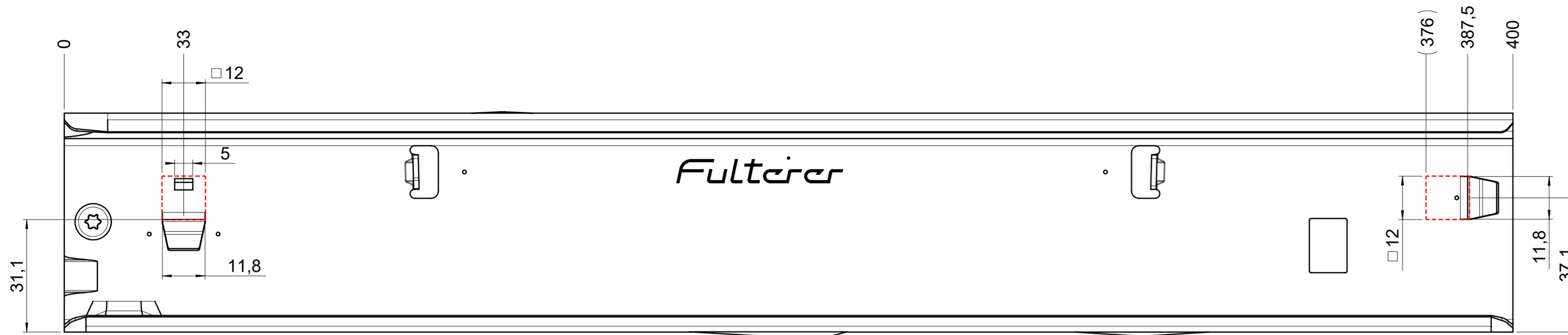



drawn on the left (mirrored on the right)



final approval	customer name:
	signed by:
	date:

all dimensions in mm			
missing dimensions see 3D ∅ = theor. intersection	scale: 1:1	surface/color:	material: CS (technical requirements Fulterer)
prototype approval	drawn: 2023-12-20 RK	date: 2023-12-20	description: FR 795-400 CS EN (mm) progressive-action over-extension drawerslide / side mount
	proven: 2024-01-12 RK		
 Fulterer AG & Co KG A-6890 Lustenau		drawing number: CS# 795.400-GA.L525	
Fulterer AG CH-9430 St. Margrethen		replaces the edition:	
<small>This drawing remains our property and may not be multiplied neither be disclosed to third parties (§§1.3 and 5 from the copyright Act (UrhG)).</small>			<small>covered according to DIN ISO 16016</small>