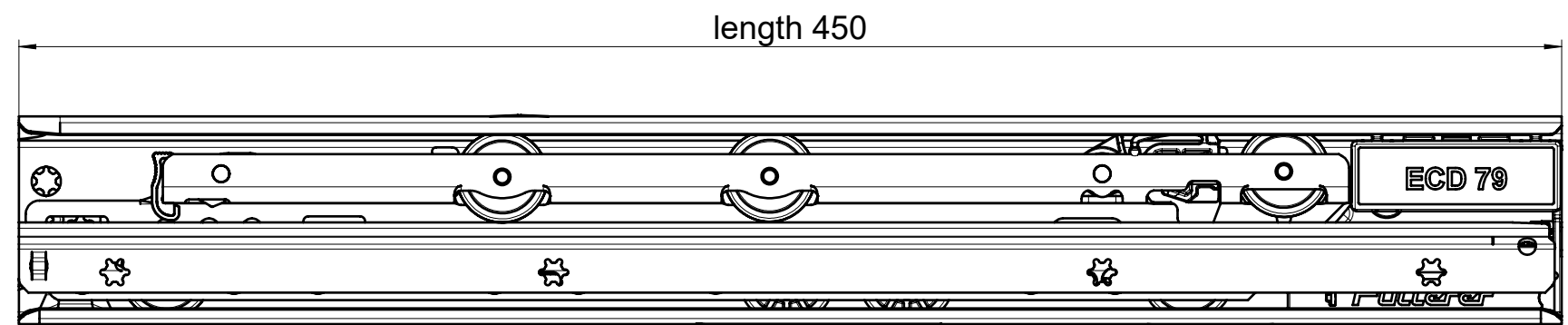
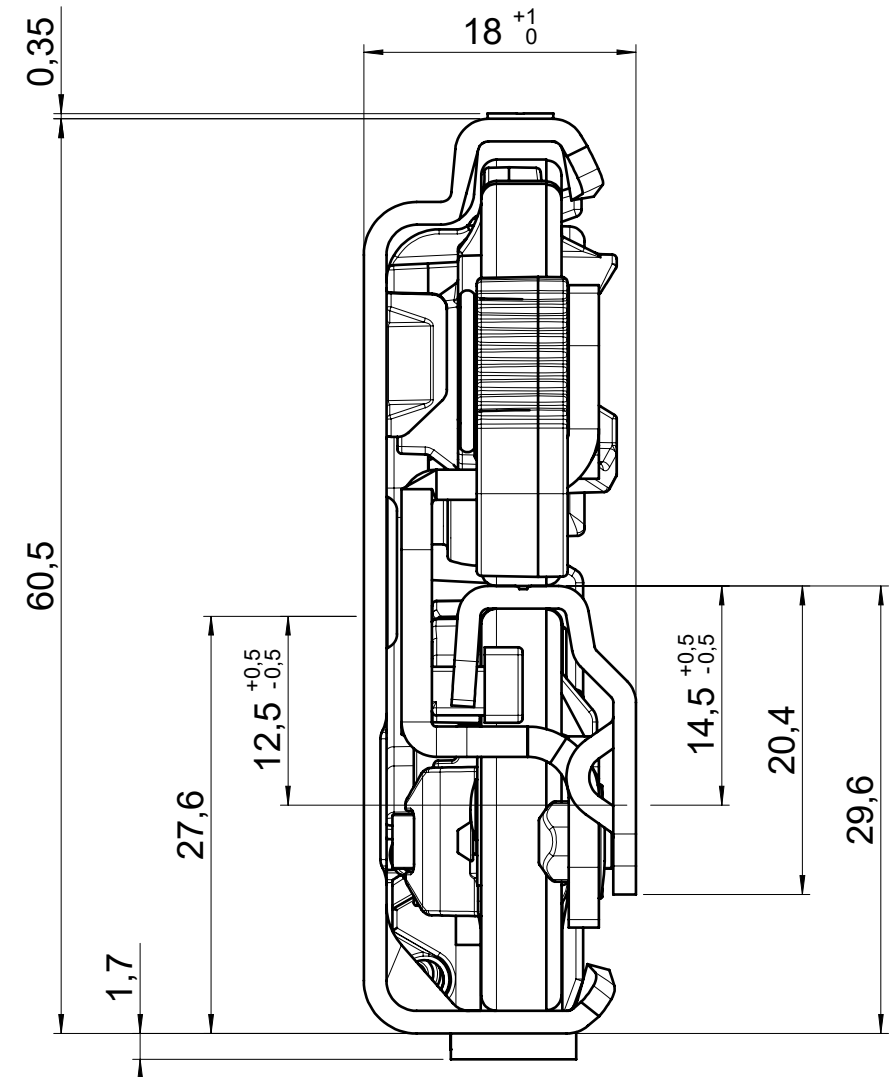
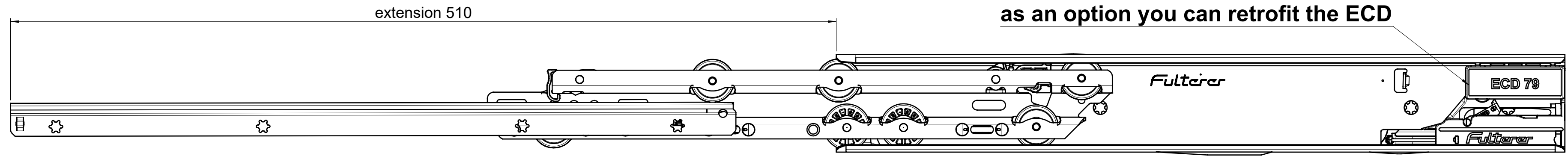
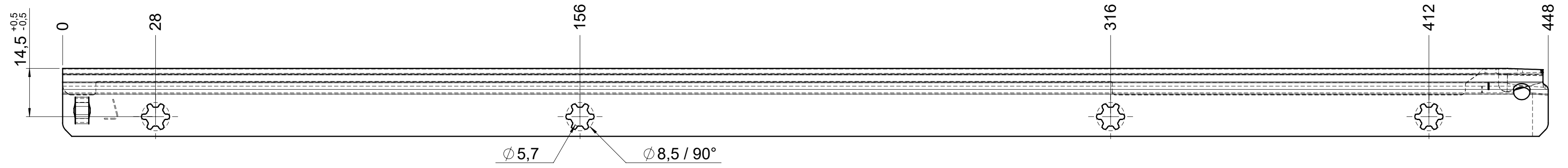
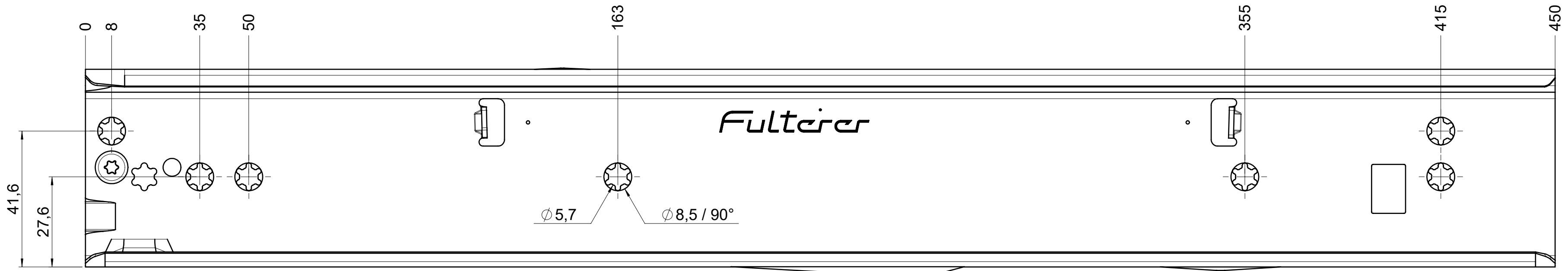


drawn on the left (mirrored on the right)



final approval

customer name:

signed by:

date:

all dimensions in mm					
missing dimensions see 3D $\Rightarrow \phi$ = theor. intersection		scale: 1:1	surface/color:	material: CS	(technical requirements Fulterer)
prototype approval		drawn	date	name	description: FR 795-450 CS EN (mm) progressive-action over-extension drawerslide / side mount
		2023-10-09	RK	RK	
		proven	2024-01-12	RK	drawing number: CS# 795.450-GA.L500
		 Fulterer AG & Co KG A-6890 Lustenau Fulterer AG CH-9430 St. Margrethen		replaces the edition:	
ind. changes		date	name		
<small>This drawing remains our property and may not be multiplied neither be disclosed to third parties (§§1,3 and 5 from the copyright Act (UrHG)).</small>					
					covered according to DIN ISO 16016