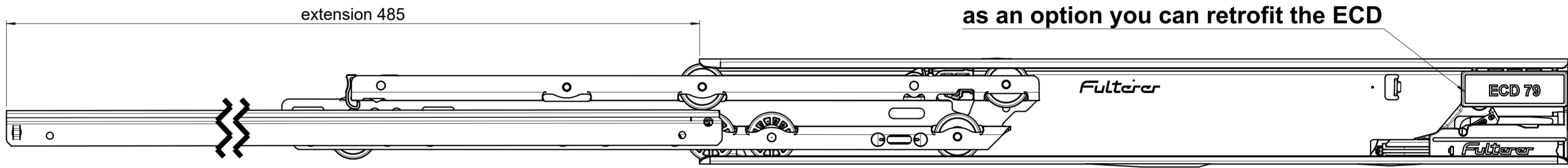
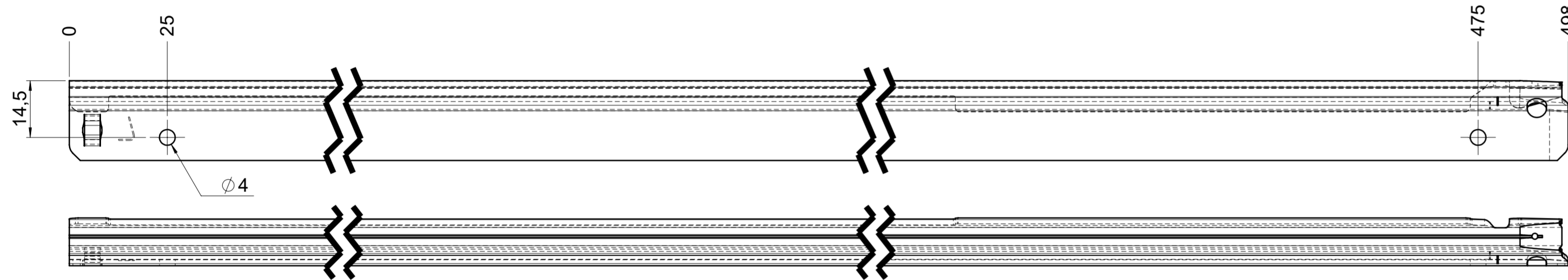
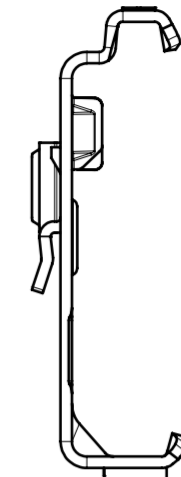
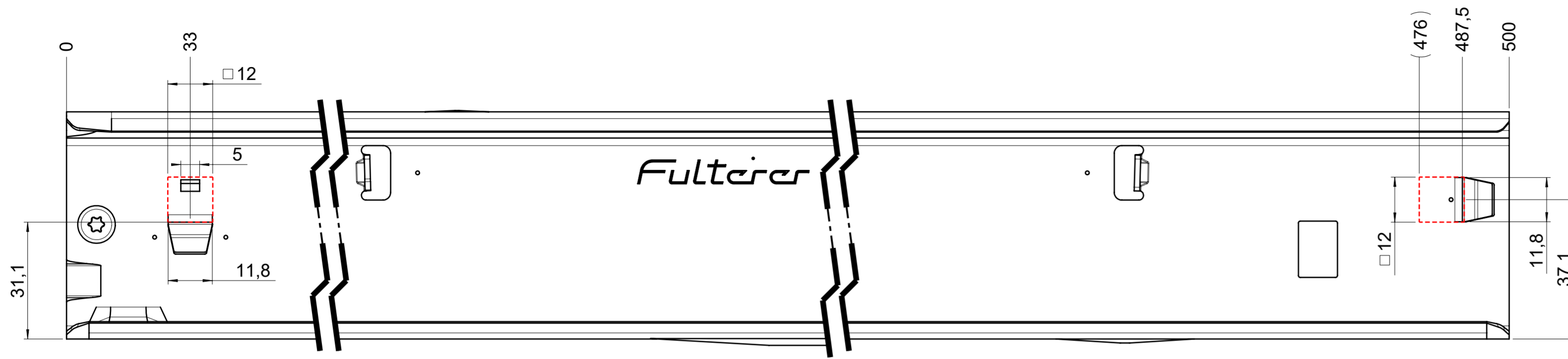
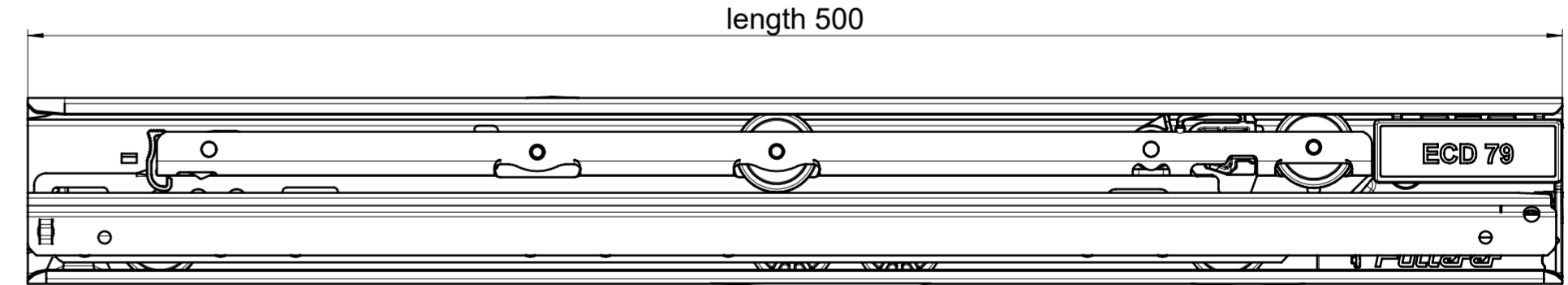
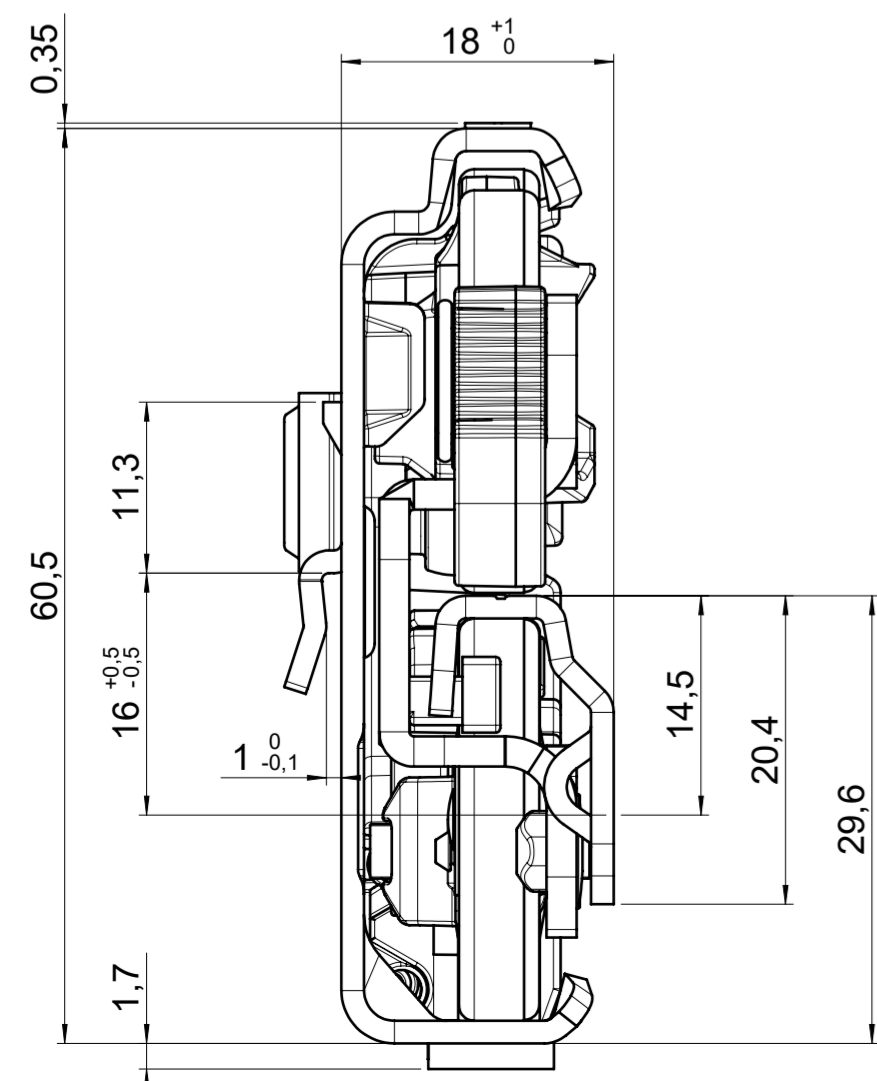


drawn on the left (mirrored on the right)



as an option you can retrofit the ECD



final approval

customer name:

signed by:

date:

all dimensions in mm			
missing dimensions see 3D = theor. intersection	scale: 1:1	surface/color:	material: CS (technical requirements Fulterer)
prototype approval		date	description:
drawn	2024-01-12	RK	FR 795-500 CS EN (mm) progressive-action full-extension drawerslide / side mount
proven	2024-01-12	RK	
drawing number:		CS# 795.500-GA.L526	
replaces the edition:			
① PDM	2024-01-12	RK	Fulterer AG & Co KG A-6890 Lustenau Fulterer AG CH-9430 St. Margrethen
ind. changes	date	name	