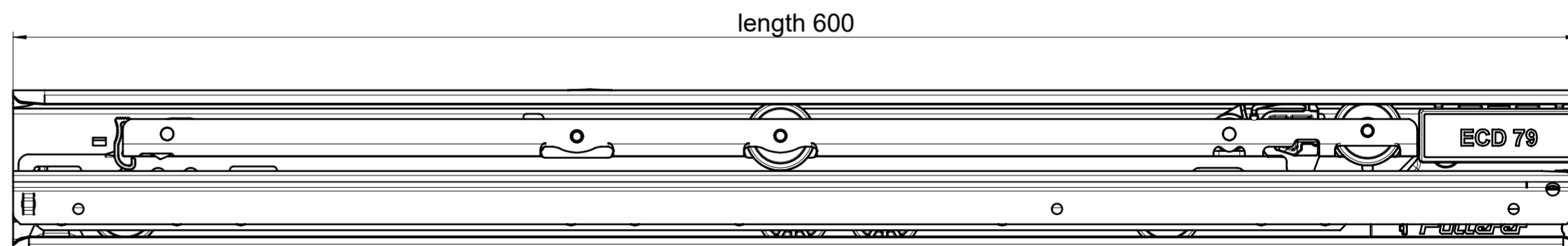
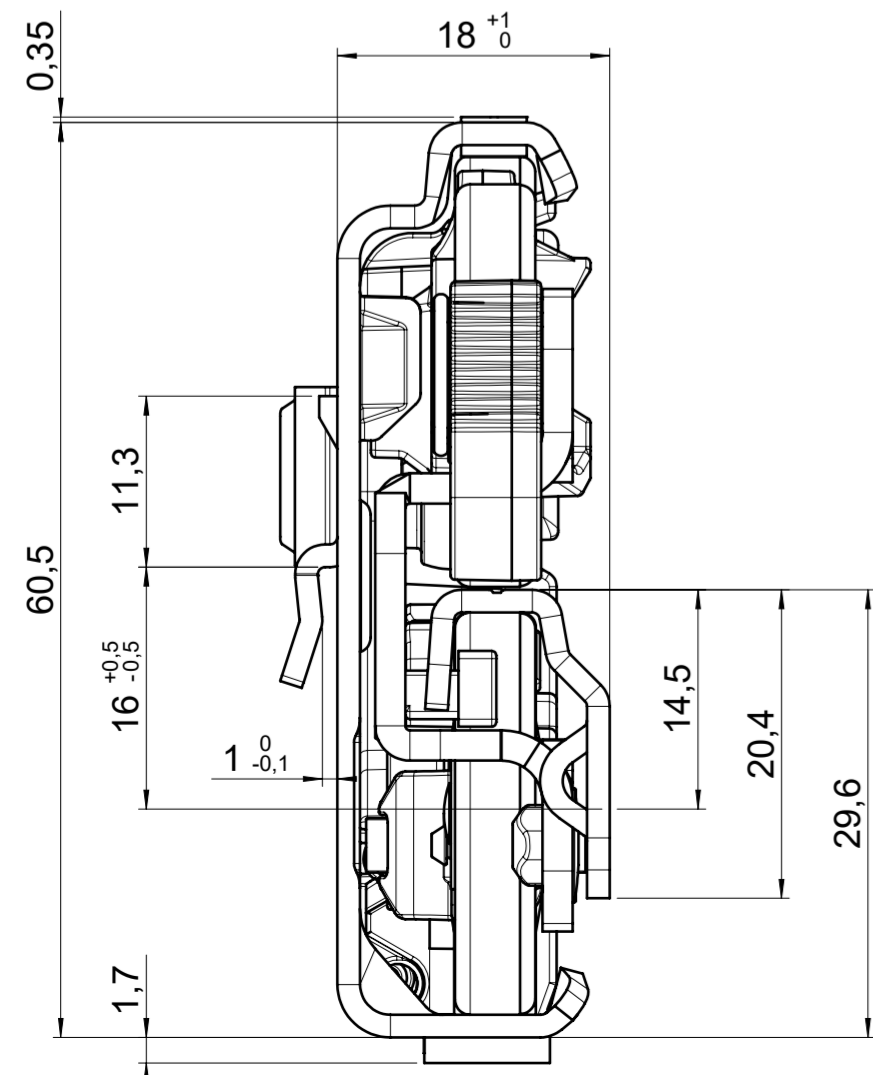
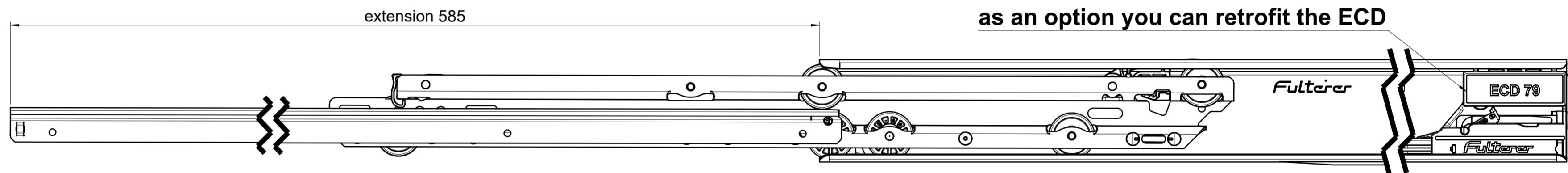
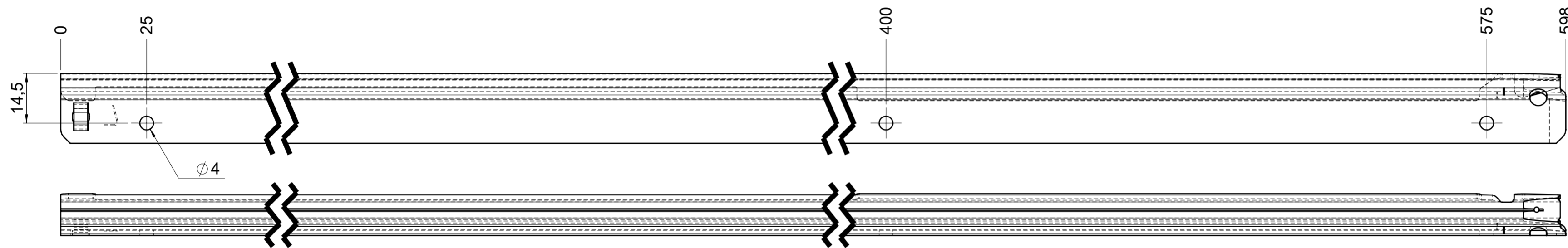
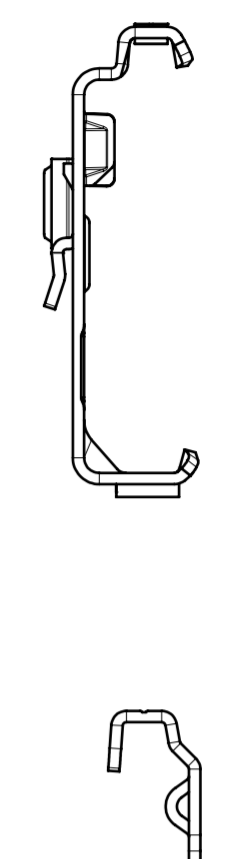
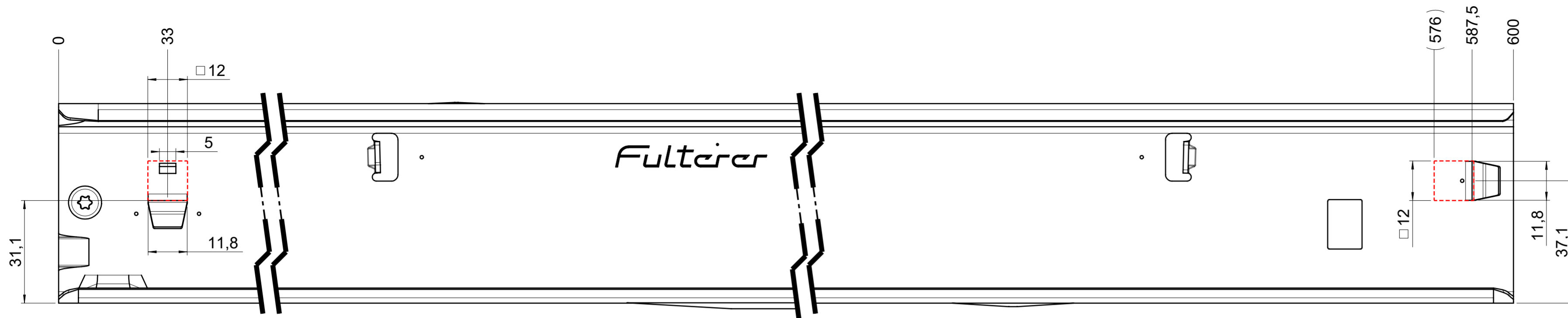


drawn on the left (mirrored on the right)



**final approval**

customer name:

signed by:

date:

all dimensions in mm			
missing dimensions see 3D = theor. intersection	scale: 1:1	surface/color:	material: CS (technical requirements Fulterer)
<b>prototype approval</b>		date	name
		2024-01-12	RK
		2024-01-12	RK
		<b>Fulterer</b>	
		Fulterer AG & Co KG A-6890 Lustenau	
		Fulterer AG CH-9430 St. Margrethen	
		description: <b>FR 795-600 CS EN (mm)</b> progressive-action full-extension drawerslide / side mount	
		drawing number: <b>CS# 795.600-GA.L526</b>	
		replaces the edition:	
This drawing remains our property and may not be multiplied neither be disclosed to third parties (§§1.3 and 5 from the copyright Act (UrHG)).			covered according to DIN ISO 16016