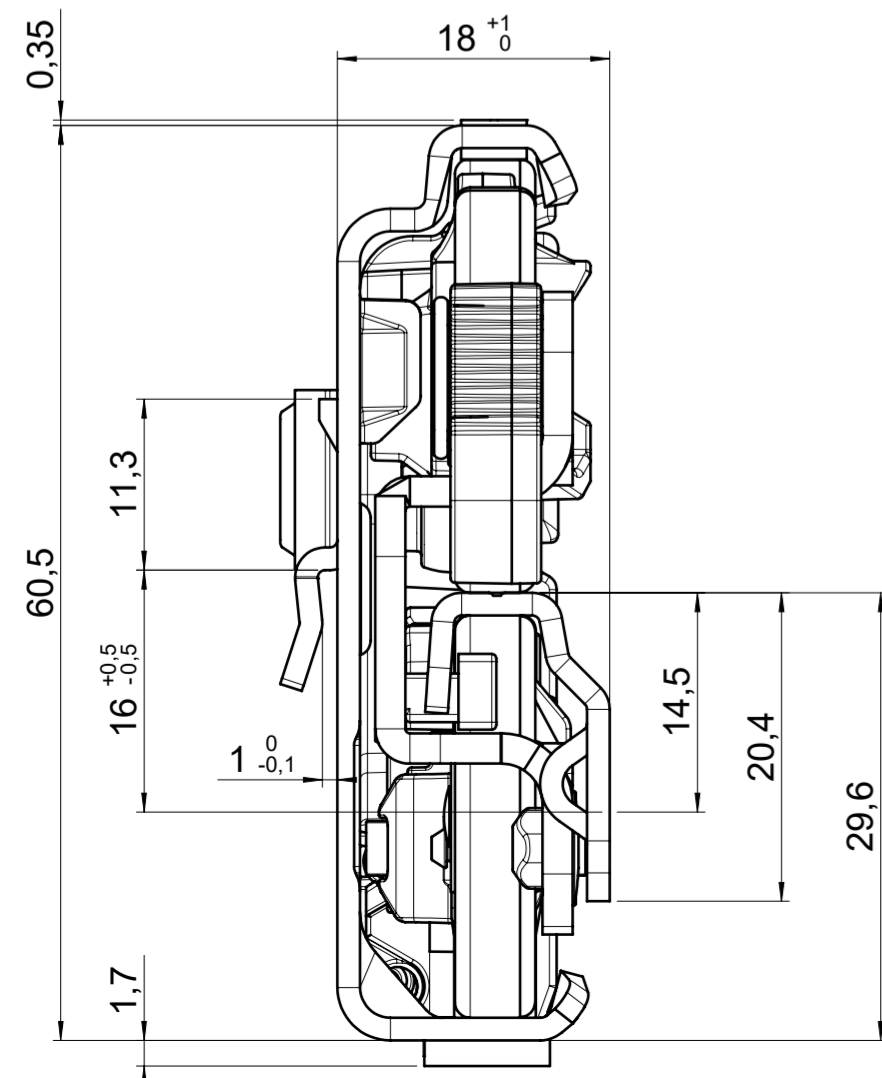
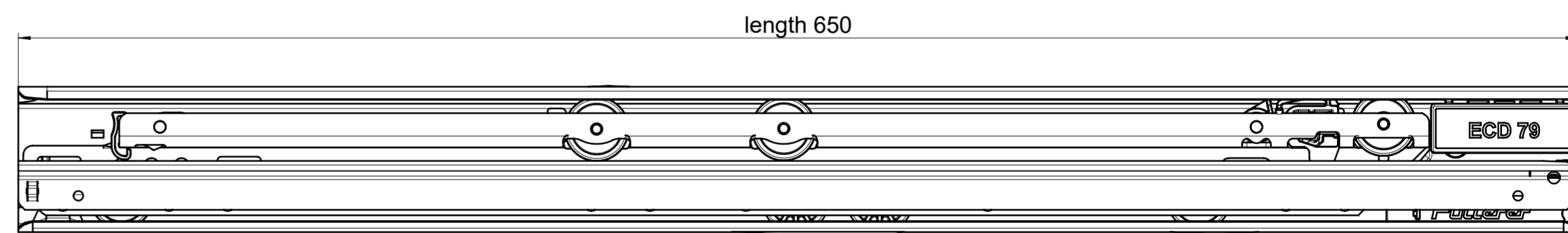
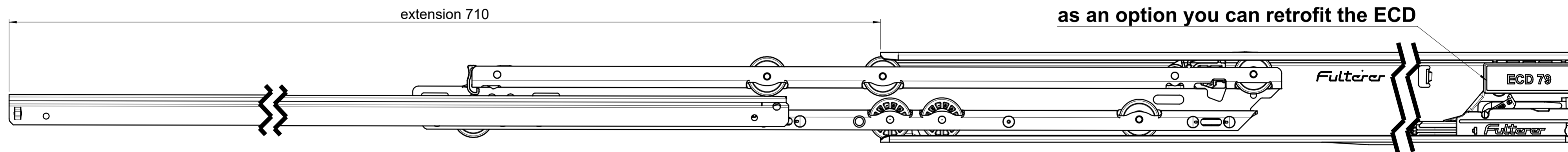
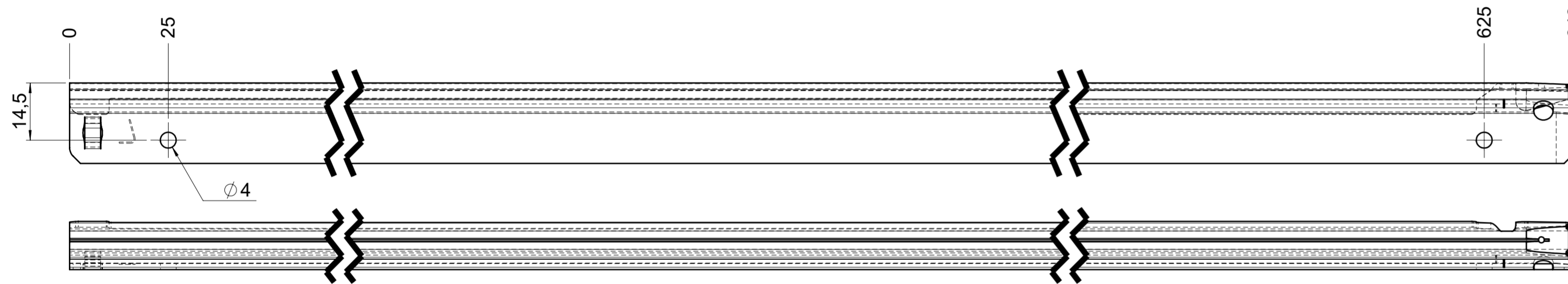
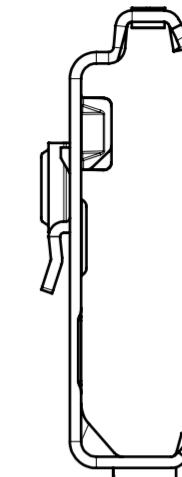
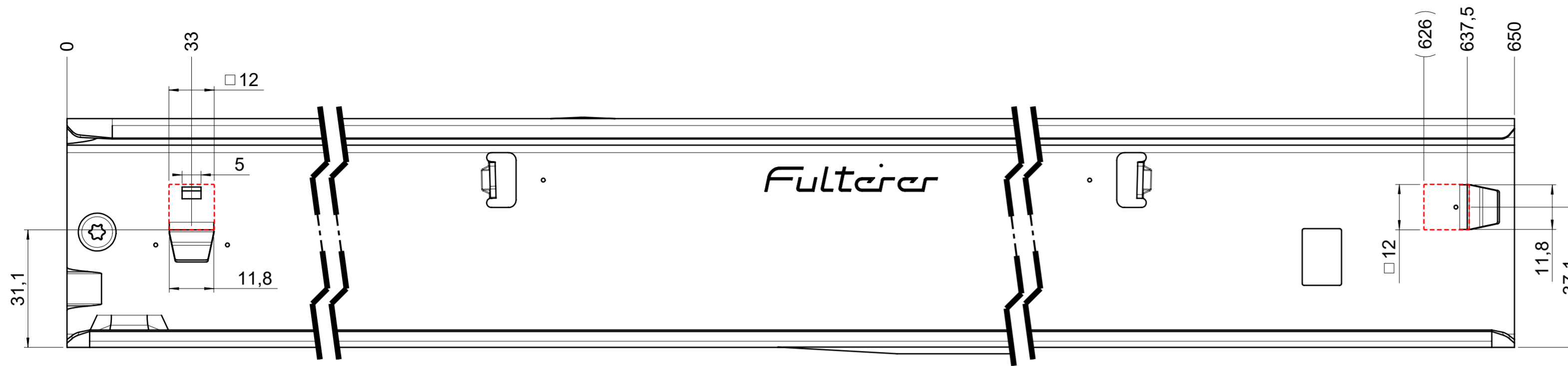


drawn on the left (mirrored on the right)



final approval

customer name:

signed by:

date:

all dimensions in mm			
missing dimensions see 3D ⇒ = theor. intersection	scale: 1:1	surface/color:	material: CS (technical requirements Fulterer)
prototype approval	drawn: 2023-12-20 RK	date: 2024-01-12	name: RK
	proven: 2024-01-12 RK		
	Fulterer		description: FR 795-650 CS EN (mm) progressive-action over-extension drawerslide / side mount
	Fulterer AG & Co KG A-6890 Lustenau		drawing number: CS# 795.650-GA.L525
	Fulterer AG CH-9430 St. Margrethen		replaces the edition:
ind. changes	date	name	