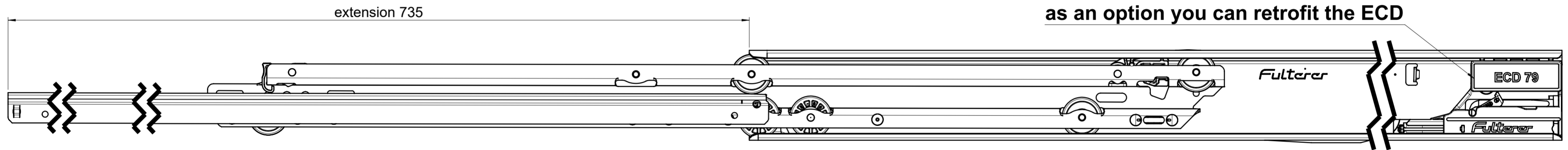
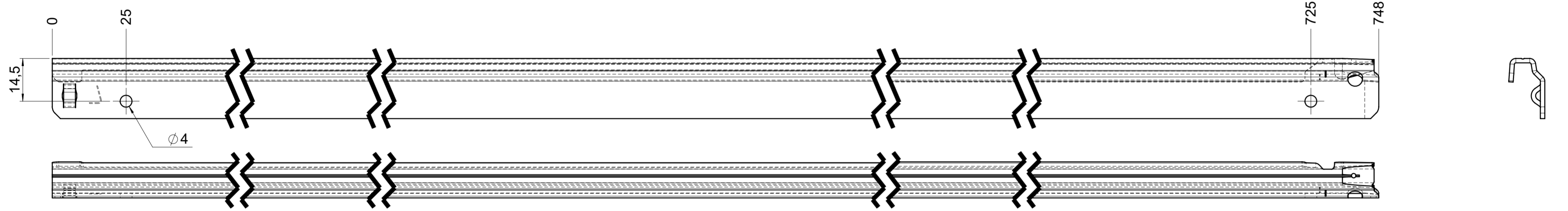
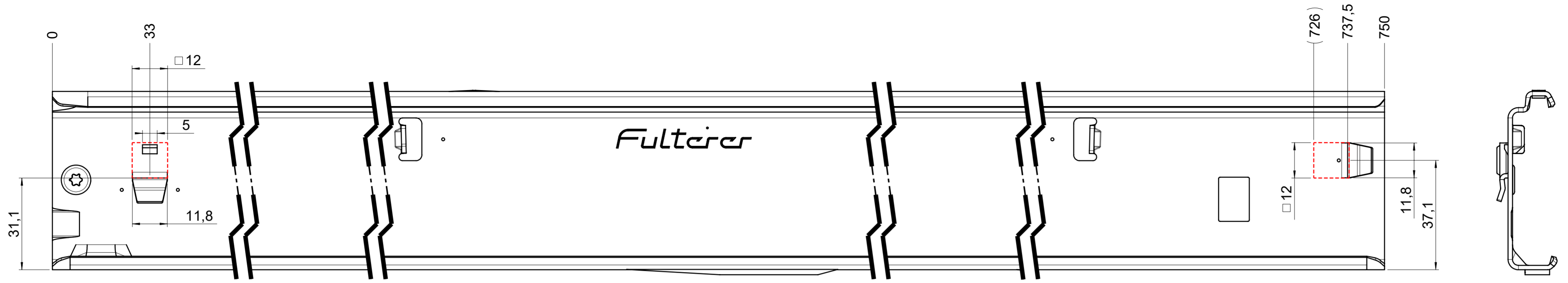
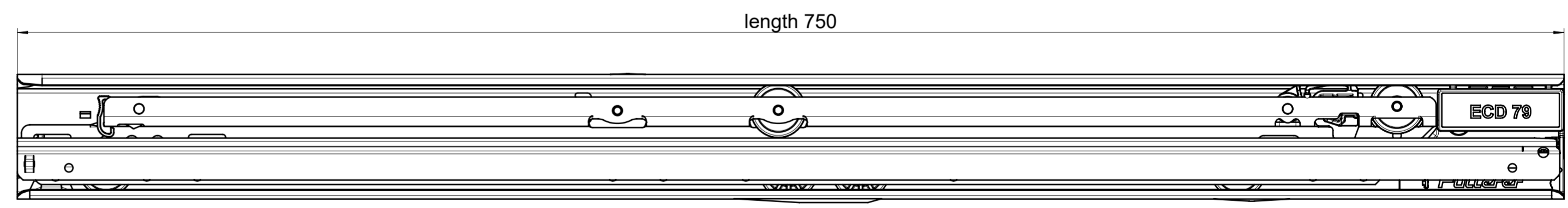
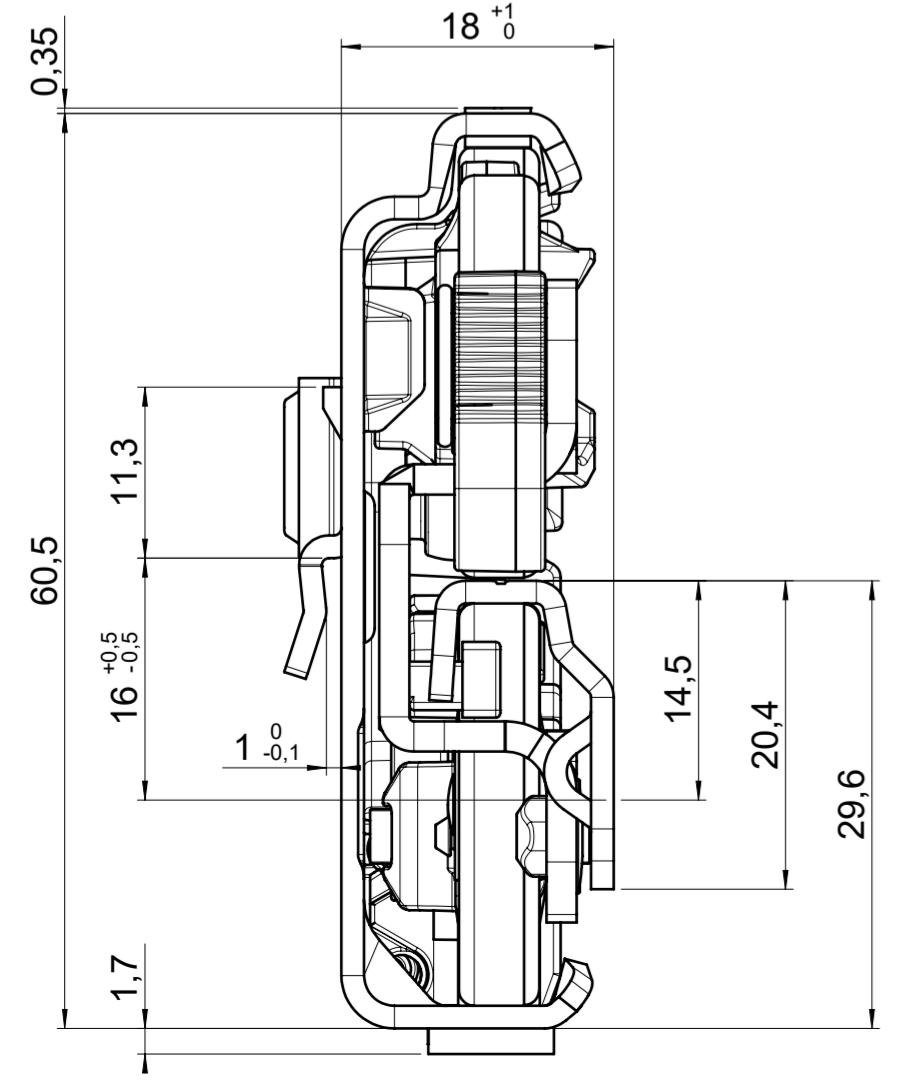


drawn on the left (mirrored on the right)



as an option you can retrofit the ECD



final approval

customer name:

signed by:

date:

all dimensions in mm			
missing dimensions see 3D = theor. intersection	scale: 1:1	surface/color:	material: CS (technical requirements Fulterer)
prototype approval		drawn: 2024-01-12 RK	description: FR 795-750 CS EN (mm) progressive-action full-extension drawerslide / side mount
		proven: 2024-01-12 RK	drawing number: CS# 795.750-GA.L526
		Fulterer Fulterer AG & Co KG A-6890 Lustenau	replaces the edition:
		Fulterer AG CH-9430 St. Margrethen	
This drawing remains our property and may not be multiplied neither be disclosed to third parties (§§1.3 and 5 from the copyright Act (UrHG)).			covered according to DIN ISO 16016