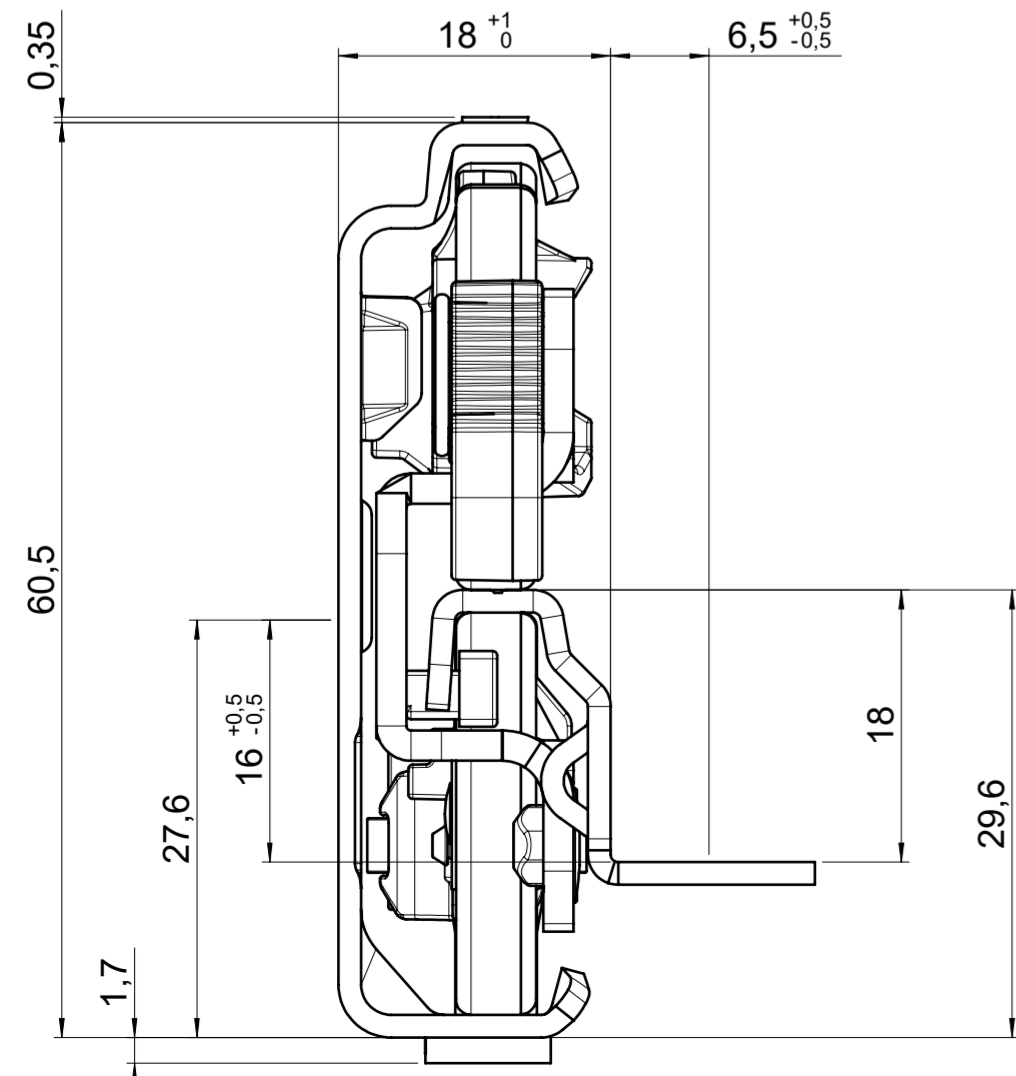
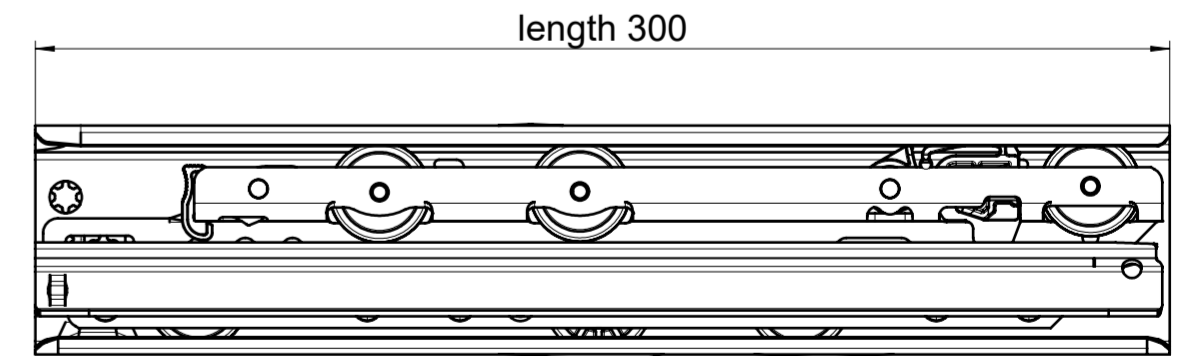
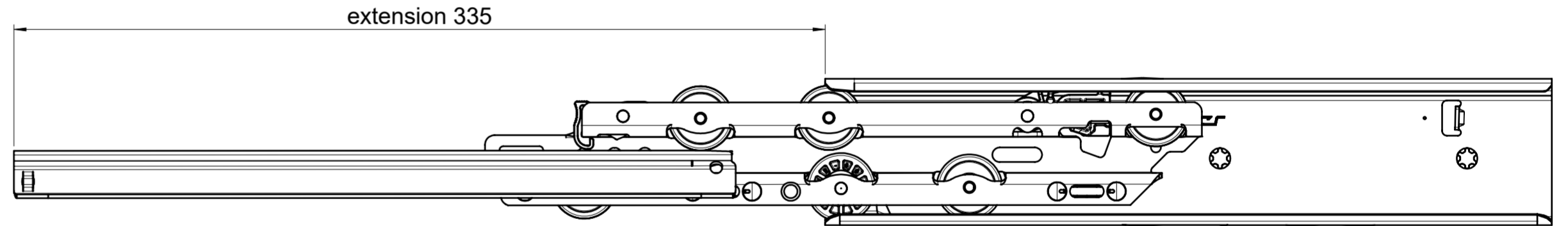
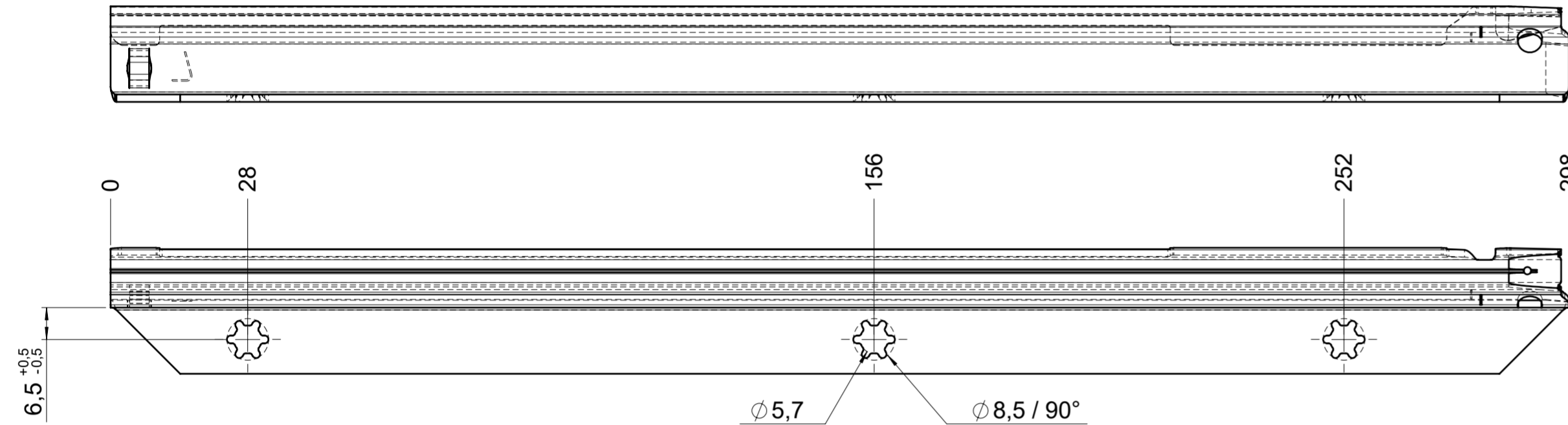
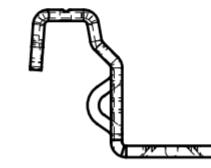
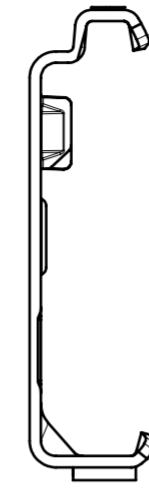
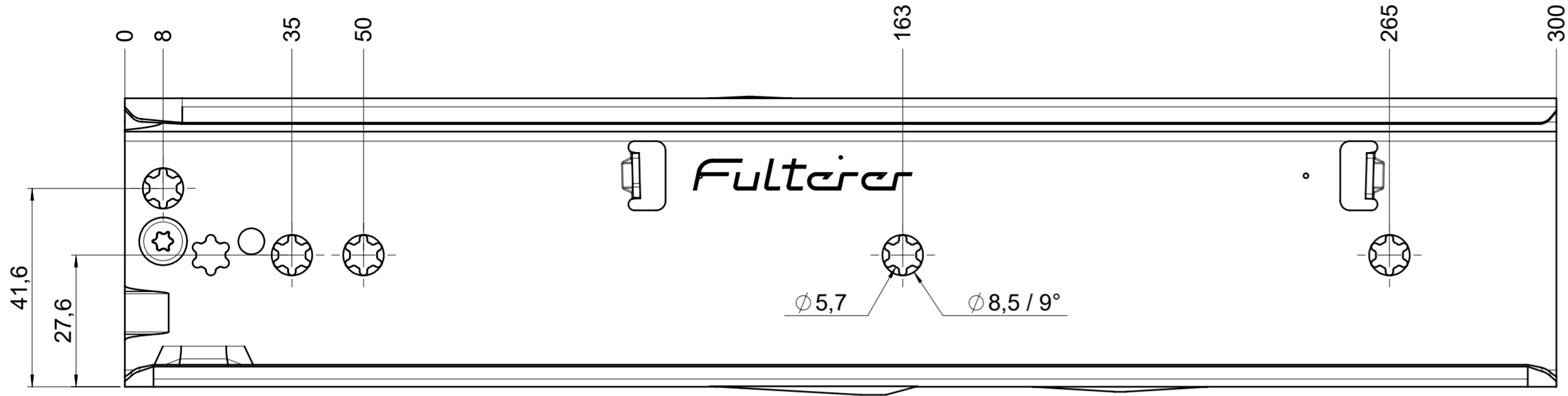


drawn on the left (mirrored on the right)



<b>final approval</b>	customer name:
	signed by:
	date:

all dimensions in mm					
missing dimensions see 3D = theor. intersection	DIN ISO 128-30	scale: <b>1:1</b>	surface/color:	material: <b>CS</b>	(technical requirements Fulterer)
<b>prototype approval</b>		drawn	date	name	description: <b>FR 796-300 CS EN (mm)</b> progressive-action over-extension drawerslide / bottom mount
		proven	2024-01-15	RK	
		<b>Fulterer AG &amp; Co KG</b> A-6890 Lustenau		drawing number: <b>CS# 796.300-GA.L500</b>	
① PDM ind. changes		2024-01-15 date	RK name	Fulterer AG CH-9430 St. Margrethen replaces the edition:	
This drawing remains our property and may not be multiplied neither be disclosed to third parties (§§1.3 and 5 from the copyright Act (UrHG)).					covered according to DIN ISO 16016