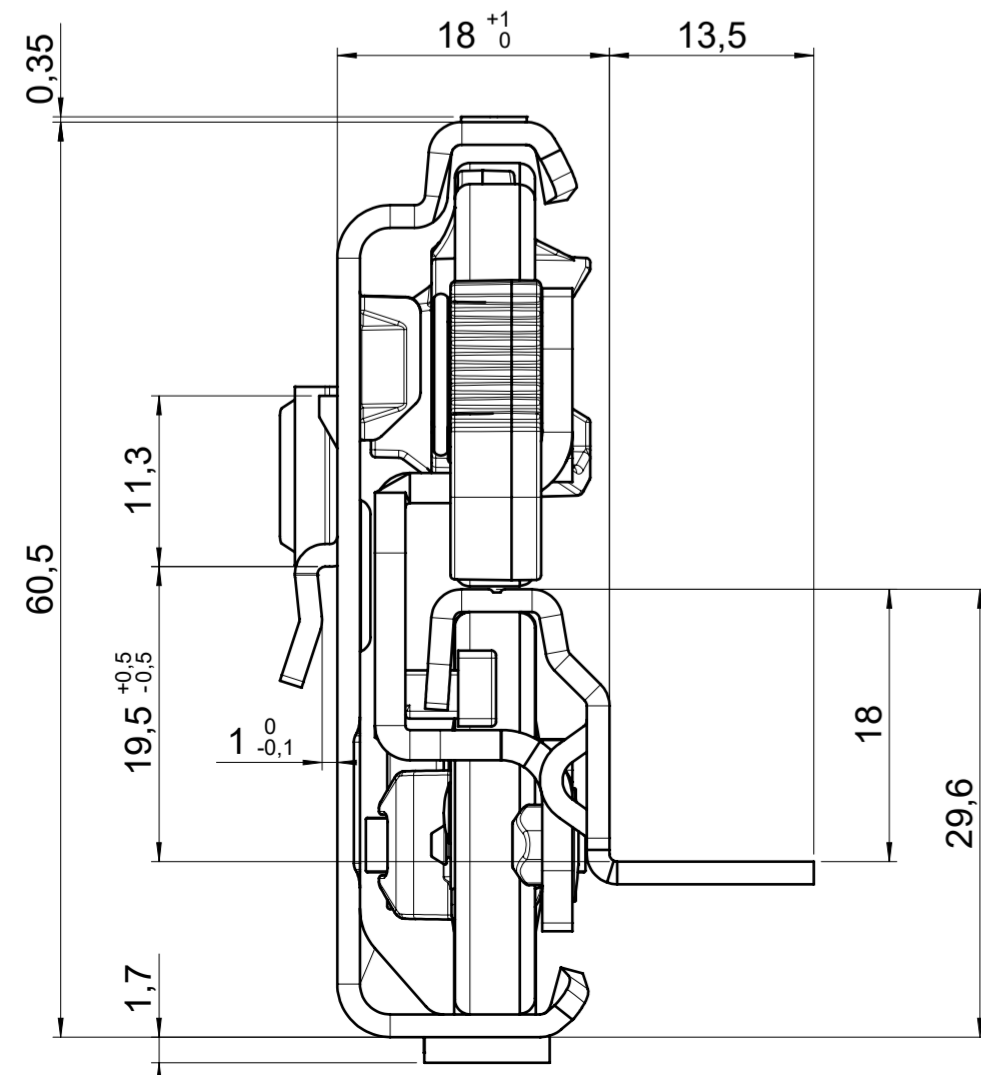
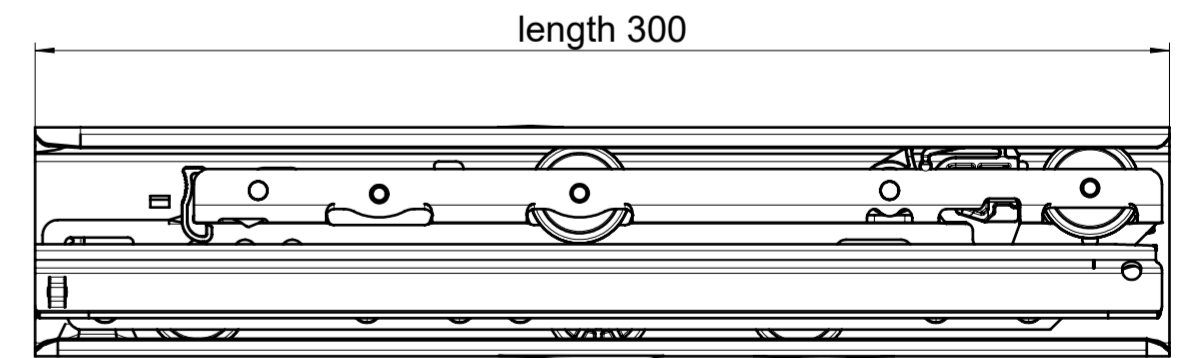
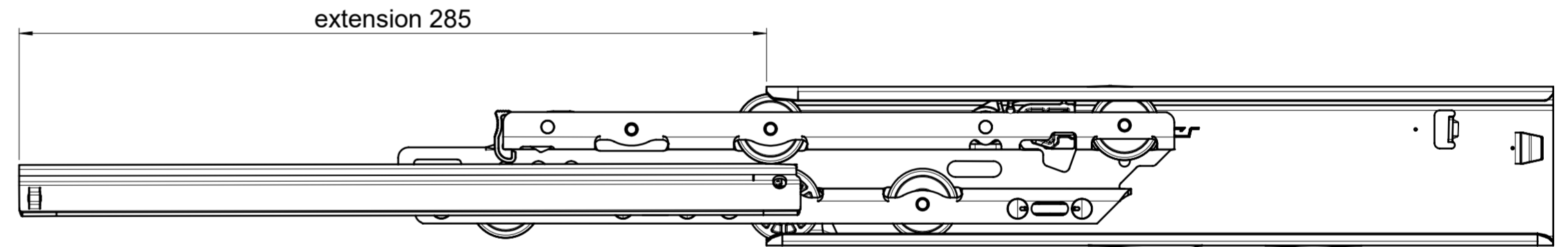
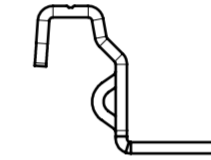
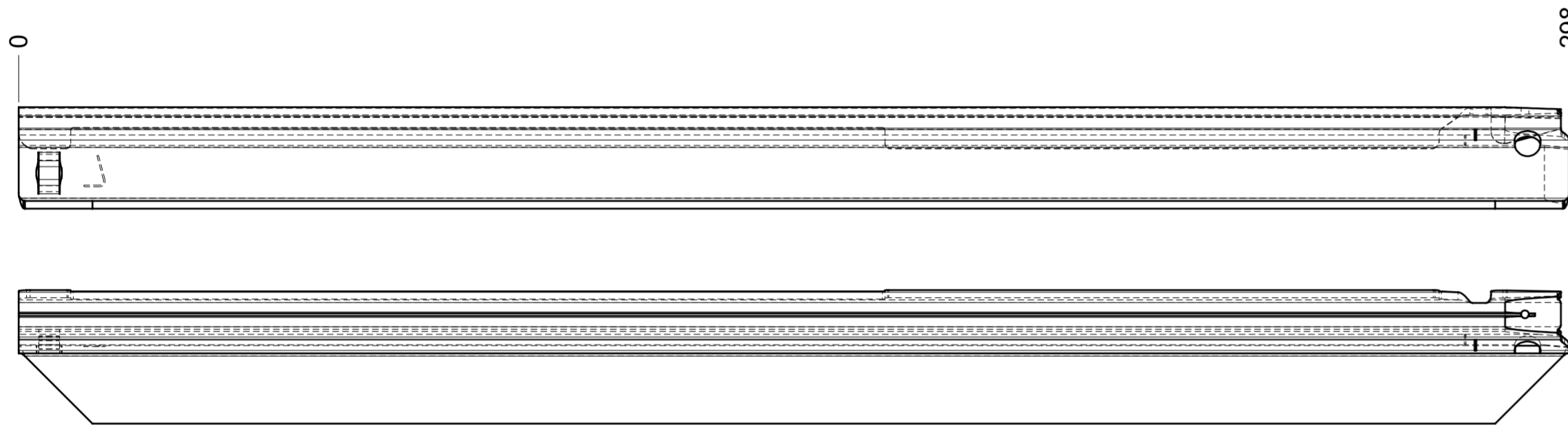
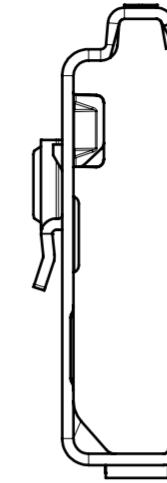
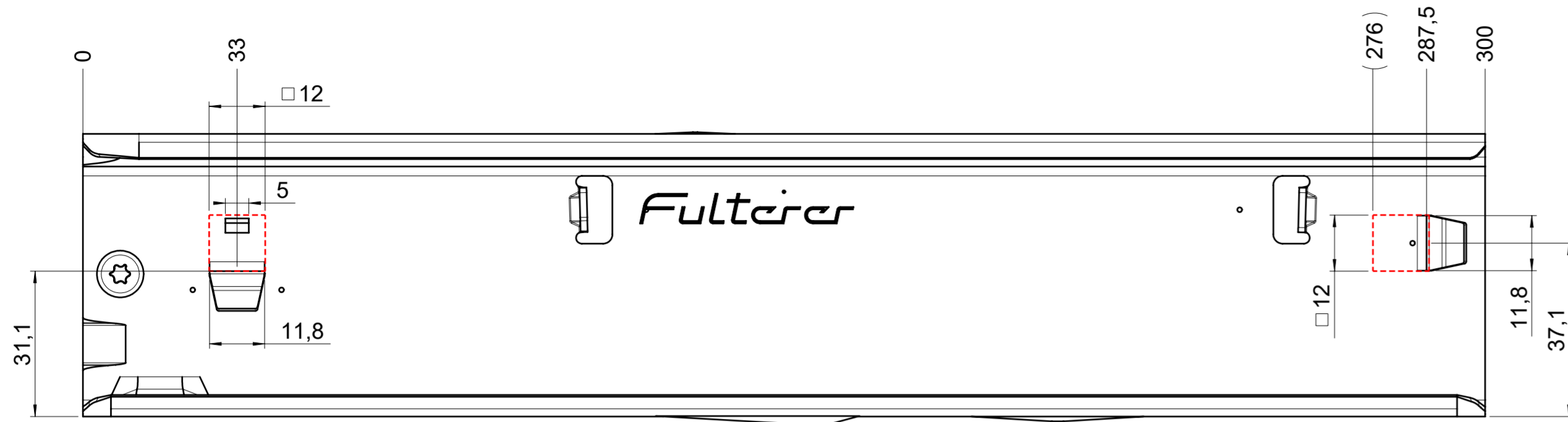


drawn on the left (mirrored on the right)



<b>final approval</b>	customer name:
	signed by:
	date:

all dimensions in mm				
missing dimensions see 3D ∅ = theor. intersection	DIN ISO 128-30	scale: <b>1:1</b>	surface/color:	material: <b>CS</b> (technical requirements Fulterer)
<b>prototype approval</b>		drawn	date	description: <b>FR 796-300 CS EN (mm)</b> progressive-action full-extension drawerslide / bottom mount
		proven	date	
		 Fulterer AG & Co KG A-6890 Lustenau Fulterer AG CH-9430 St. Margrethen		drawing number: <b>CS# 796.300-GA.L526</b>
ind. changes				date