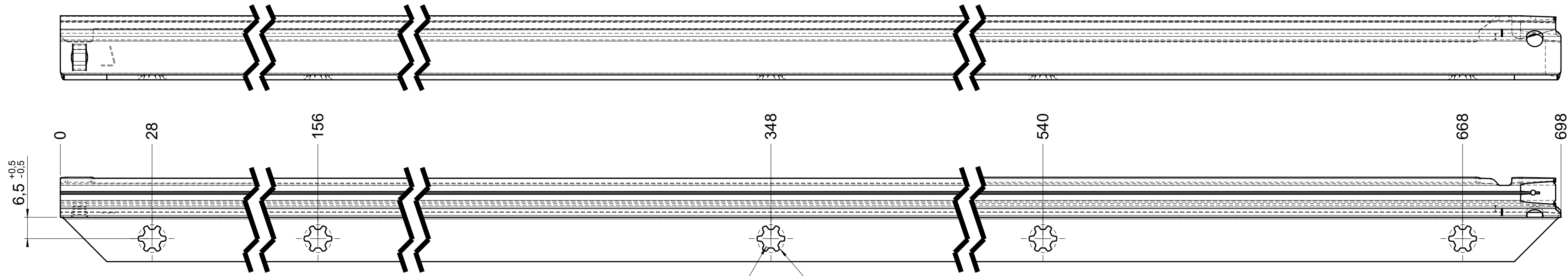
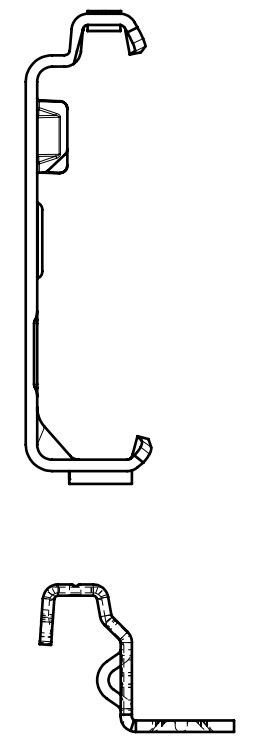
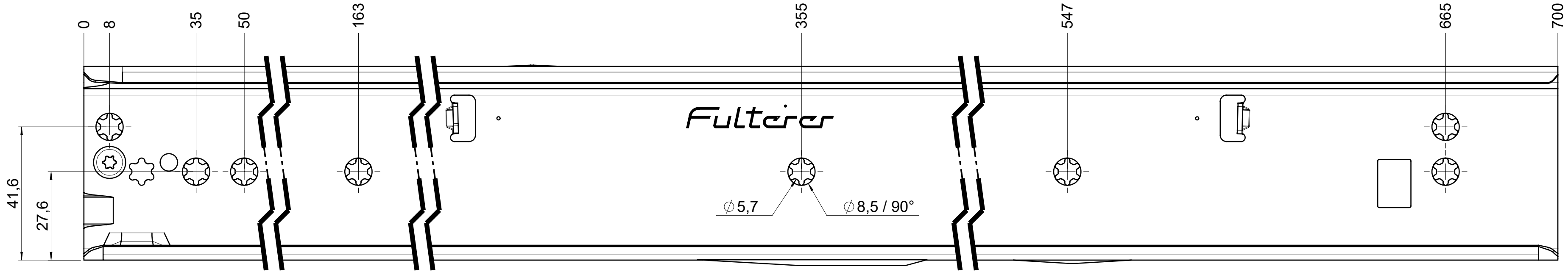
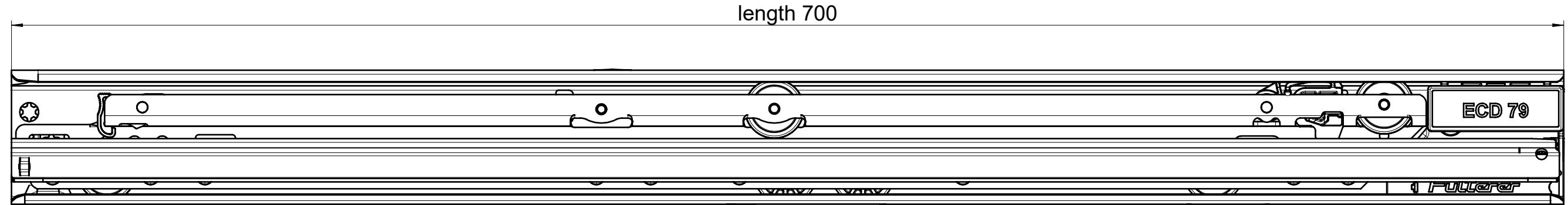
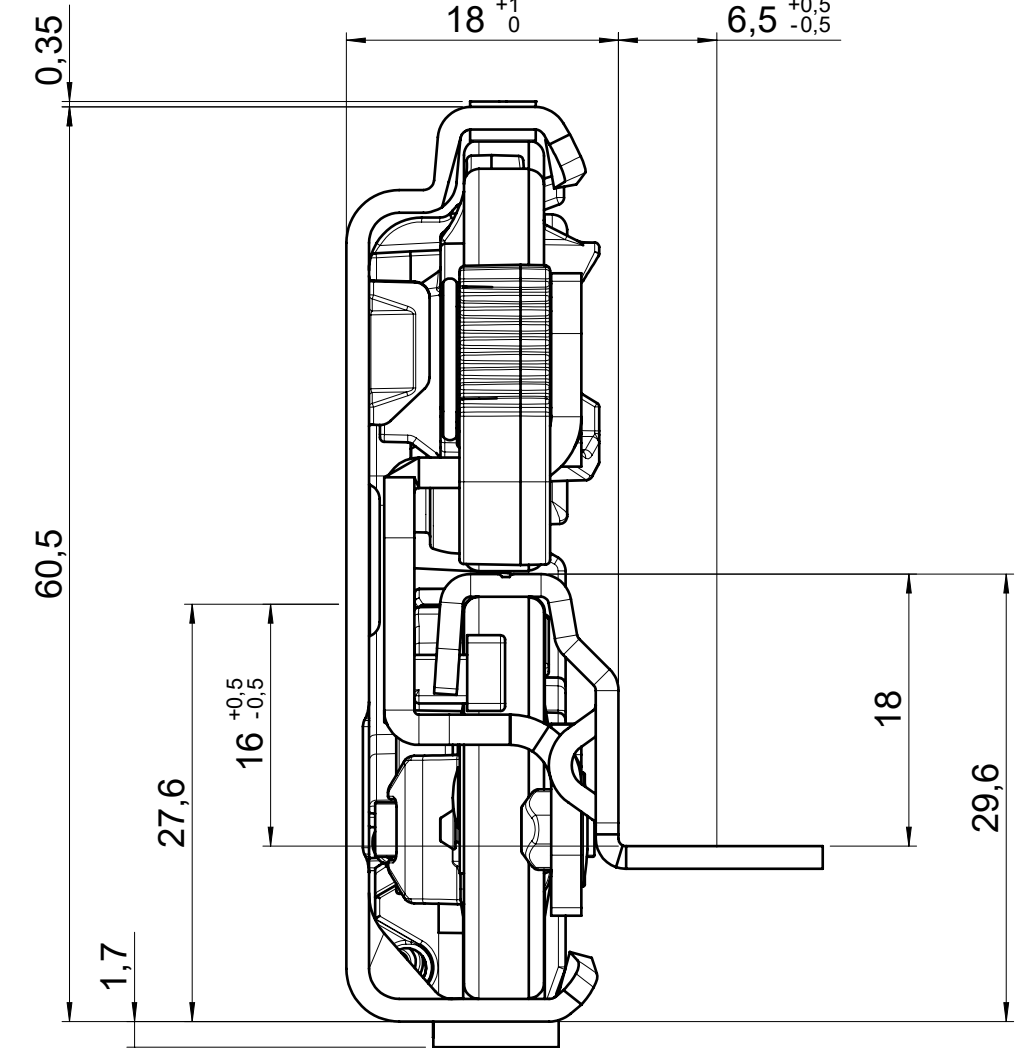
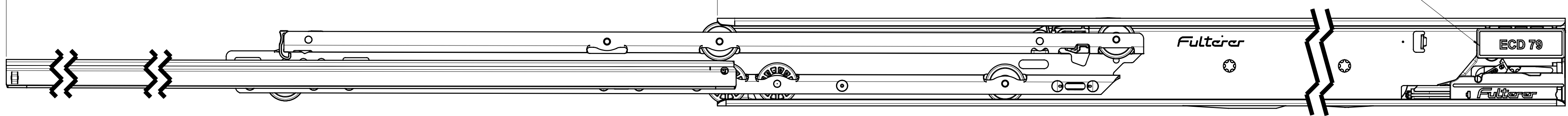


drawn on the left (mirrored on the right)



extension 685

as an option you can retrofit the ECD



final approval

customer name:

signed by:

date:

all dimensions in mm			
missing dimensions see 3D \varnothing = theor. intersection	DIN ISO 128-30	scale: 1:1	surface/color: material: (technical requirements Fulterer) CS
prototype approval		drawn: 2022-11-24 EX	description: FR 796-700 CS EN (mm) progressive-action full-extension drawerslide / bottom mount
		proven: 2024-01-16 RK	
ind. changes		date	name
Fulterer AG & Co KG A-6890 Lustenau		drawing number: CS# 796.700-GA.0000	
Fulterer AG CH-9430 St. Margrethen		replaces the edition:	
This drawing remains our property and may not be multiplied neither be disclosed to third parties (§§1.3 and 5 from the copyright Act (UrHG)).			covered according to DIN ISO 16016