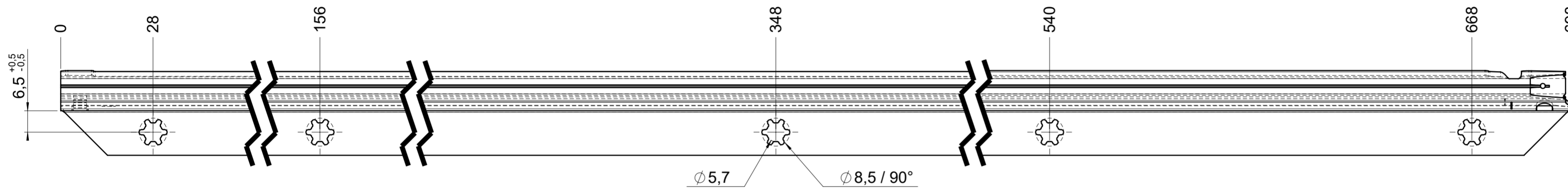
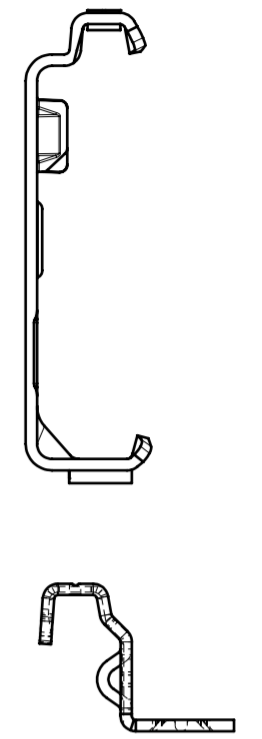
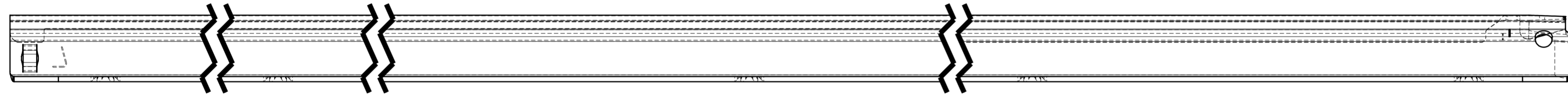
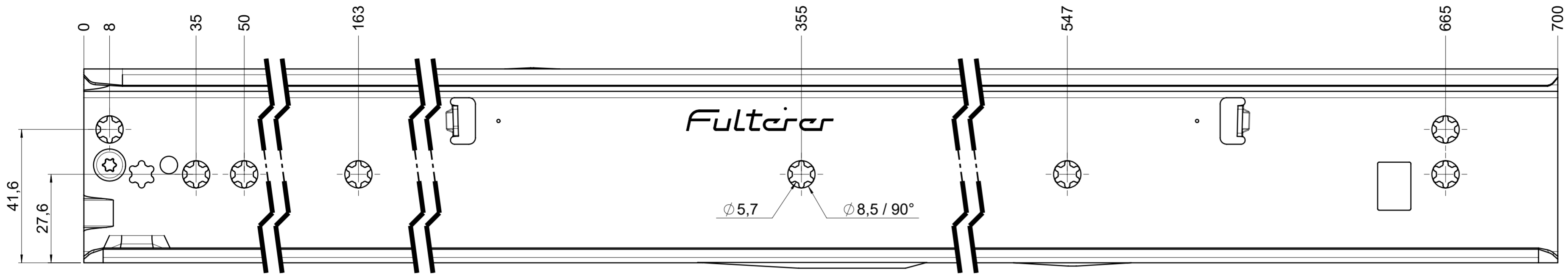
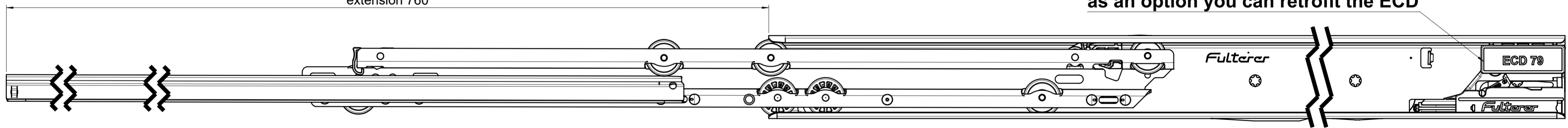


drawn on the left (mirrored on the right)

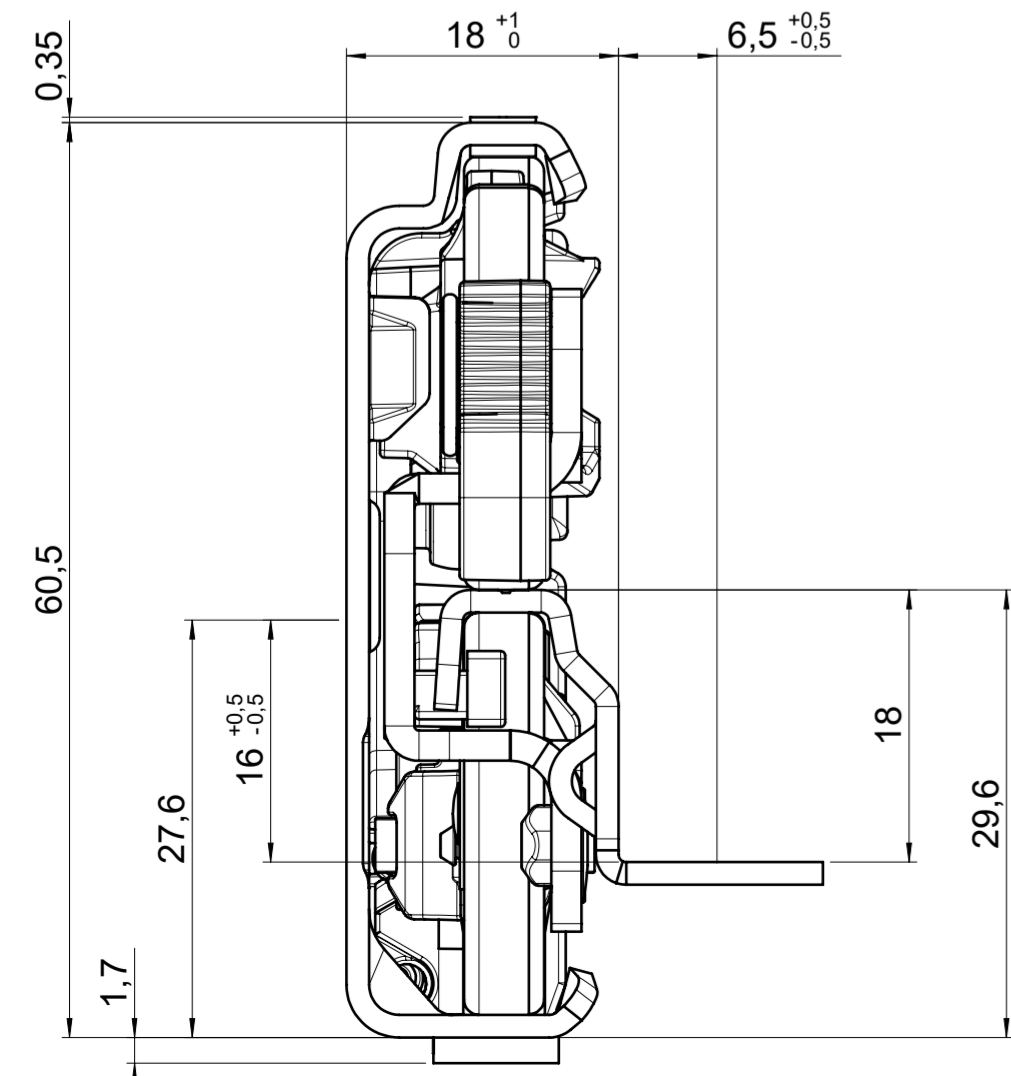
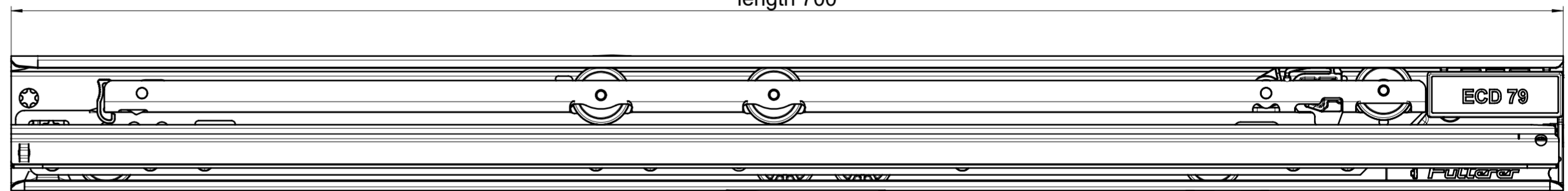


extension 760

as an option you can retrofit the ECD



length 700



final approval

customer name:

signed by:

date:

all dimensions in mm			
missing dimensions see 3D \varnothing = theor. intersection	DIN ISO 128-30	scale: 1:1	surface/color: material: (technical requirements Fulterer) CS
prototype approval	drawn	date	description: FR 796-700 CS EN (mm) progressive-action over-extension drawerslide / bottom mount
	proven	name	
ind. changes	Fulterer AG & Co KG A-6890 Lustenau		drawing number: CS# 796.700-GA.L500
	date	name	replaces the edition: