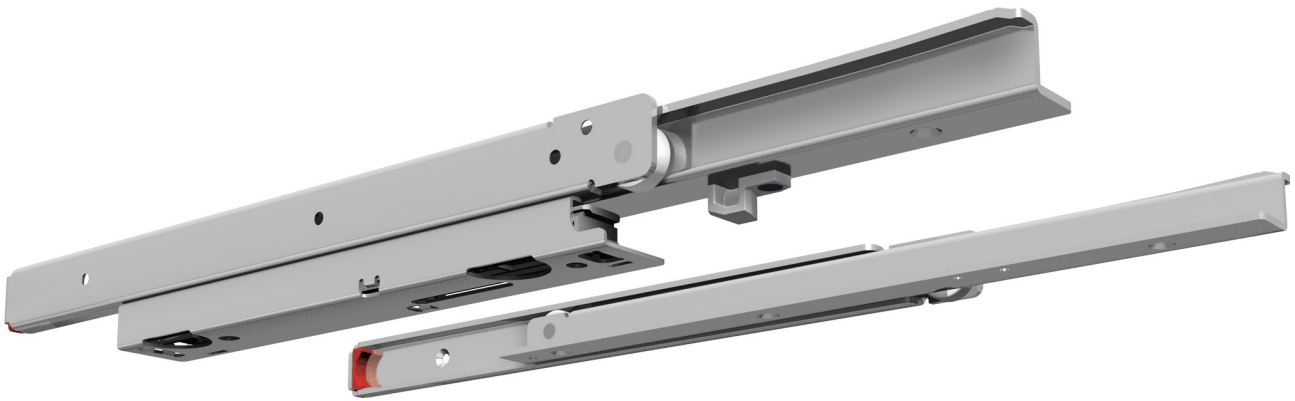


FR 206 ECD | Regular Extension Drawer Slide



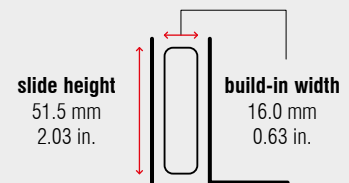
Specifications

-  bottom mount
-  16.0 mm / 0.63 in.
-  dynamic up to 100 kg / 220 lbs.
-  steel ball bearings
-  steel, zinc plated

Characteristics

- stay-closed feature
- out stop detent
- cabinet profile with synthetic stop

Dimensions



Length		Extension		Weight		Item No.
				per set		zinc plated
mm	inch	mm	inch	kg	lbs.	
400	15.75	294	11.57	2.25	4.96	4303
450	17.72	344	13.54	2.48	5.47	4304
500	19.69	394	15.51	2.71	5.97	4305
550	21.65	444	17.48	2.93	6.45	4306
600	23.62	494	19.45	3.15	6.94	4307
650	25.59	544	21.42	3.38	7.44	4308
700	27.56	564	22.20	3.63	7.99	4309
750	29.53	614	24.17	*	*	*
800	31.50	654	25.75	4.08	8.98	4311
850	33.46	704	27.72	*	*	*
900	35.43	744	29.29	4.53	9.98	4313
950	37.40	794	31.26	*	*	*
1,000	39.37	834	32.83	5.08	11.21	4315

Packing Unit – Sets per Box, all Lengths: 2

* on request