

# FR 2021-S

**SLIDE TYPE:** Regular-Extension Drawer Slide  
Special design for system drawers

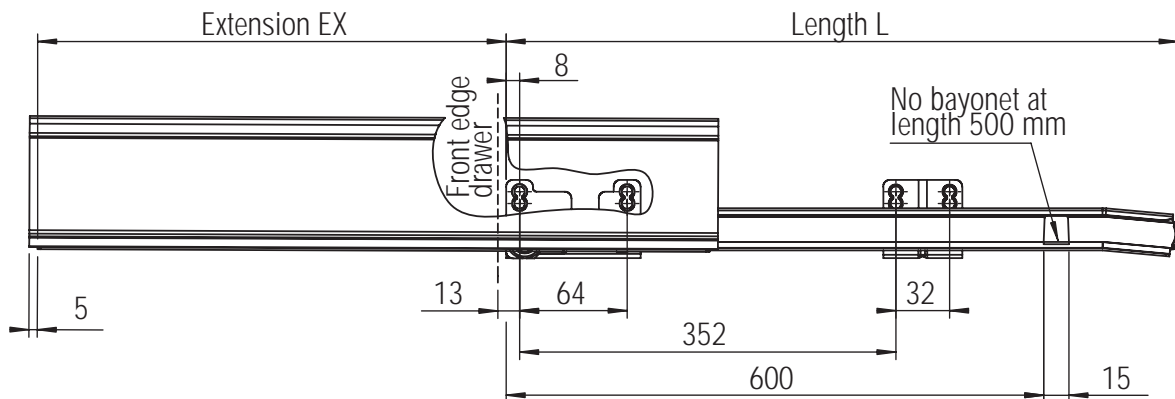
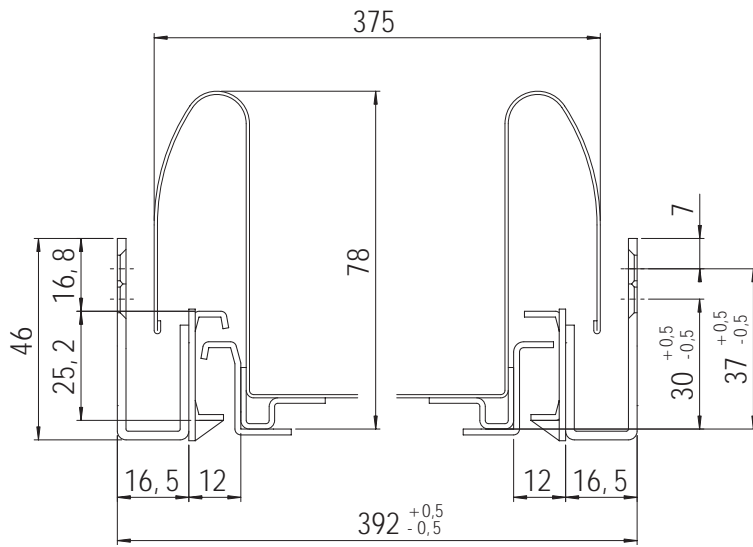
**WIDTH:** 392 mm  
**LOAD CAPACITY:** dynamic up to 30 kg



**MATERIAL:** steel, black powder coated

**FEATURES:** silent rollers, solid delrin\* rollers

**SPECIFICATIONS:**  
▶ special design for system drawers: for example BBP system drawer with Huvil SVS3 locking system



screw holes for 3,5 mm spax screws / 6,3 mm EURO screws

Length L mm	EX mm	Weight per pair (kg)	Order No.
500	379	*	*
700	559	*	*
Minimum order quantity: 100 sets packed separately per box			* on request