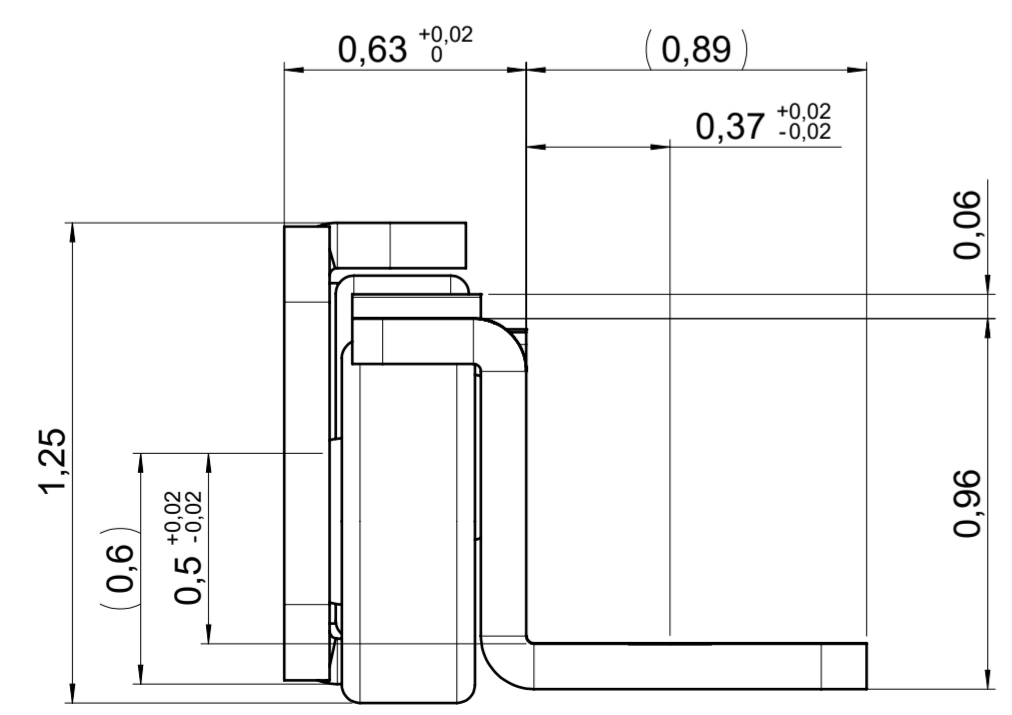
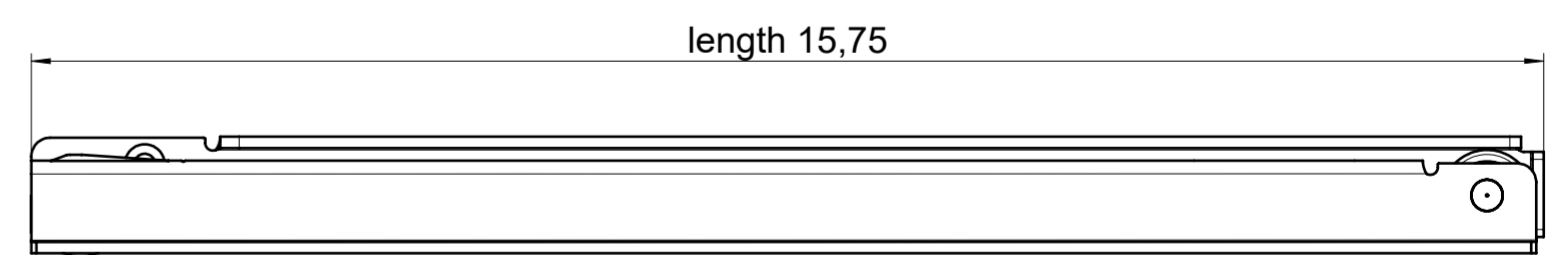
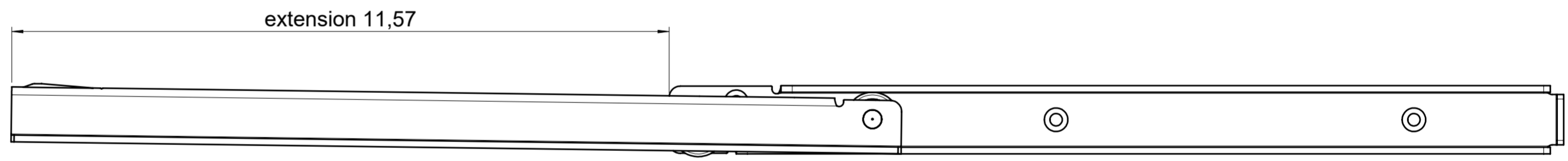
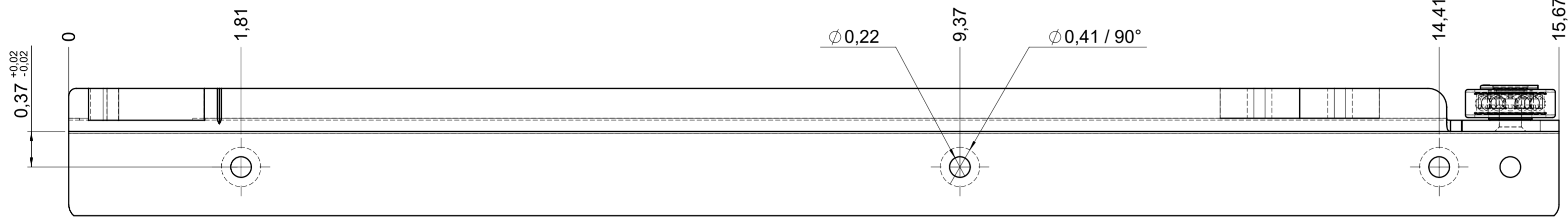
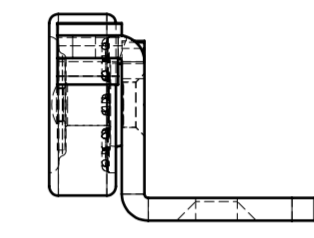
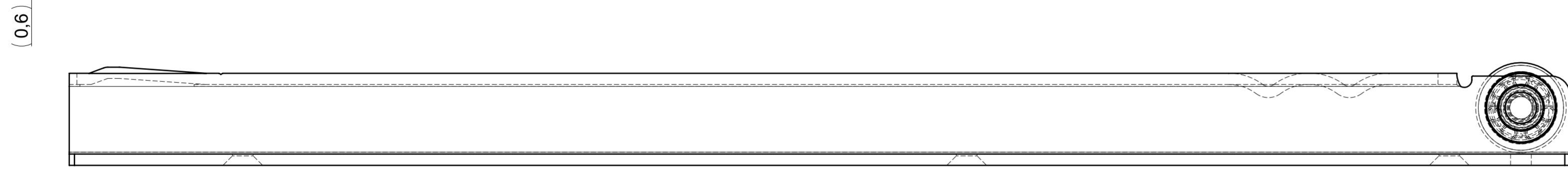
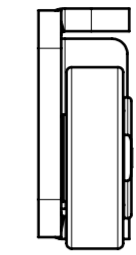
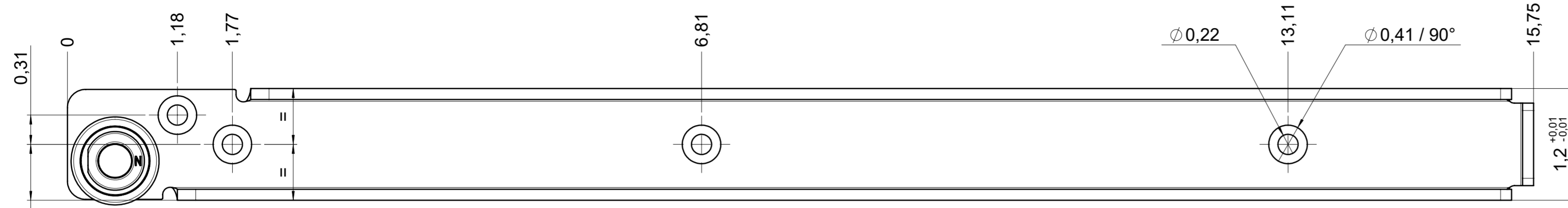


drawn left (right mirrorimage)

dimensions without coating / maximum coating allowed 0.004in



**final approval**

customer name:

signed by:

date:

<b>all dimensions in inch</b>				DIN ISO 128-30 missing dimensions see 3D ⊕ = theor. intersection	
This drawing remains our property and may not be multiplied neither be disclosed to third parties (§§1,3 and 5 from the copyright Act (UrhG)) covered according to DIN ISO 16016					
scale: 1:1		surface:		material, semi finished parts: STEEL (technical requirements Fulterer)	
drawn 24-11-2022		date		description: FR 206 / 40 EN (inch) regular-extension drawerside / bottom mount	
proven 02-01-2023		name		drawing number: 206.400-GA.SB00	
		pr		replaces version date:	
Fulterer		Fulterer AG & Co KG A-6890 Lustenau / Austria Fulterer AG CH-9430 St. Margrethen			
(k)					
(l)					
(m)					
(n)					
(o)					
(p)					
(q)					
(r)					
(s)					
(t)					
(u)					
(v)					
(w)					
(x)					
(y)					
(z)					
ind.	changes	date	na.		