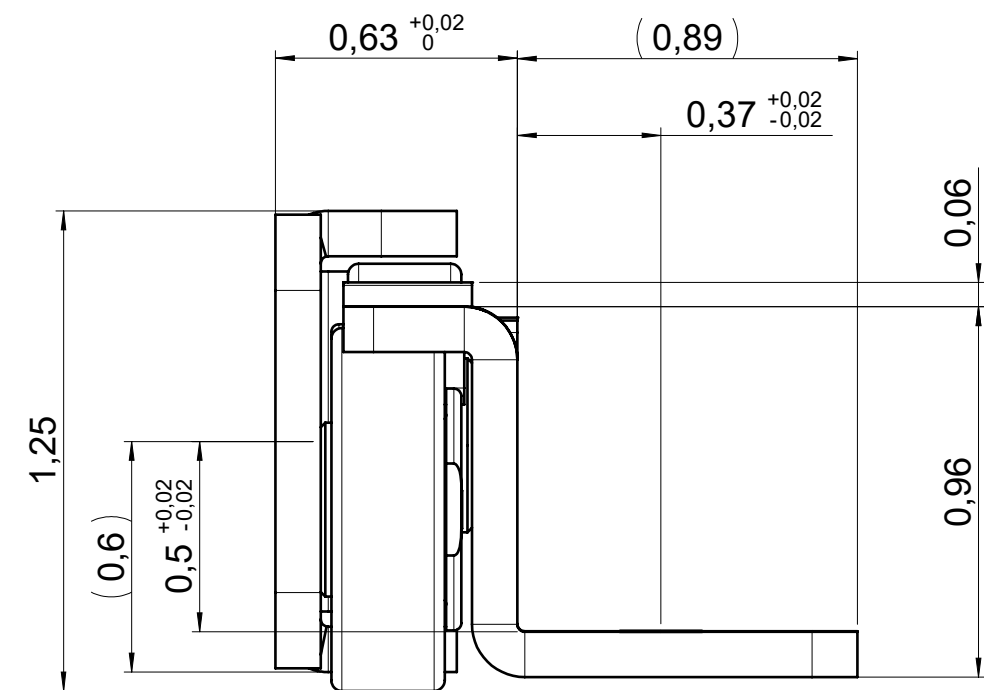
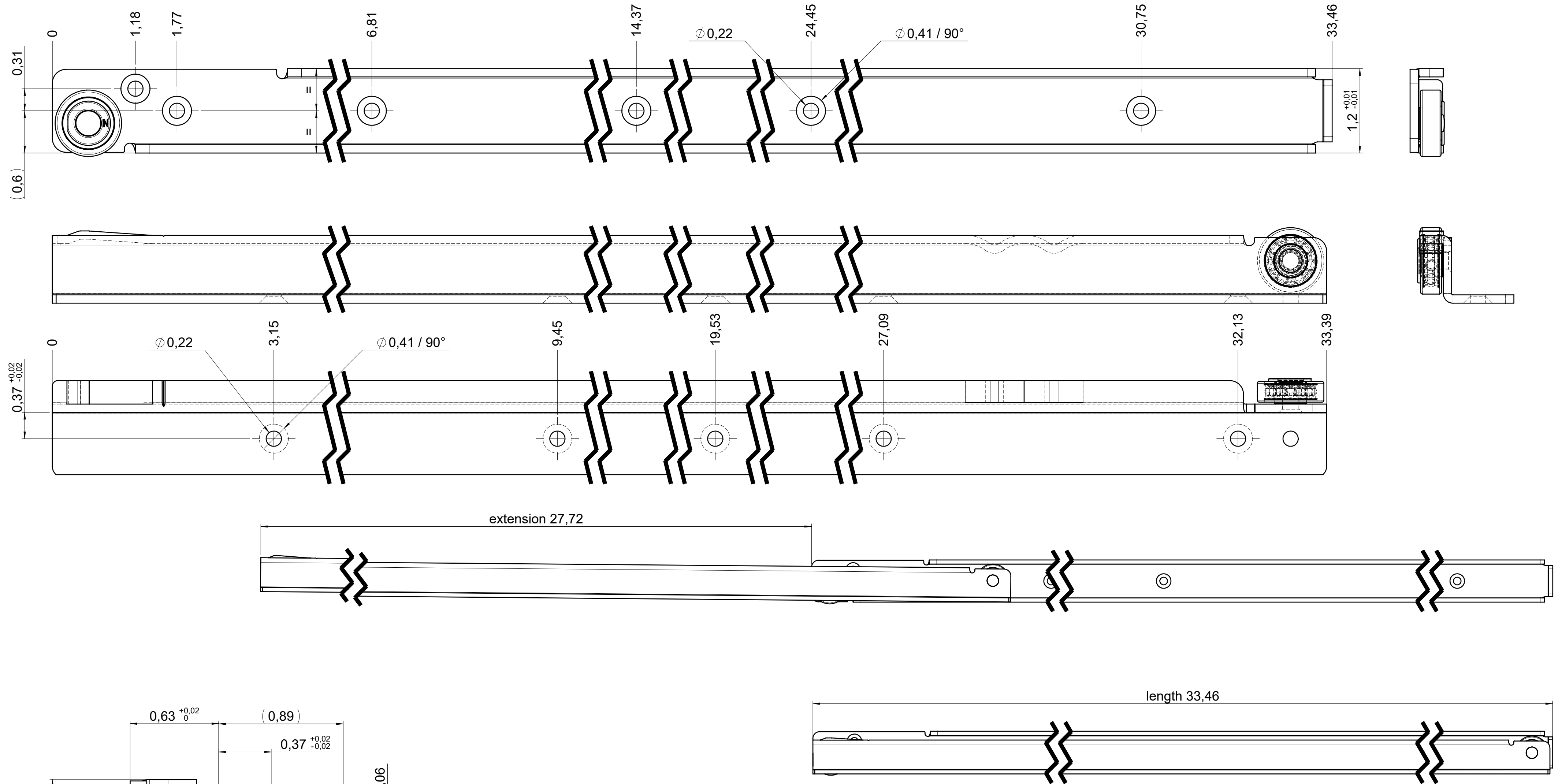


drawn left (right mirrorimage)



final approval

customer name:

signed by:

date:

all dimensions in inch

DIN ISO 128-30
missing dimensions see 3D
 = theor. intersection

This drawing remains our property and may not be multiplied neither be disclosed to third parties (§§1,3 and 5 from the copyright Act (UrhG)) covered according to DIN ISO 16016				scale: 1:1	surface:	material, semi finished parts: STEEL (technical requirements Fulterer)	A2
(k)				date	name	description: FR 206 / 85 EN (inch) regular-extension drawerside / bottom mount	drawing number: 206.850-GA.0000
(l)				drawn 24-11-2022	ex		
(m)				proven 02-01-2023	pr		
(n)							
(o)							
(p)				Fulterer AG & Co KG		drawing number: 206.850-GA.0000	replaces version date:
(q)				A-6890 Lustenau / Austria			
(r)				Fulterer AG			
(s)				CH-9430 St. Margrethen			
(t)				changes	date	na.	