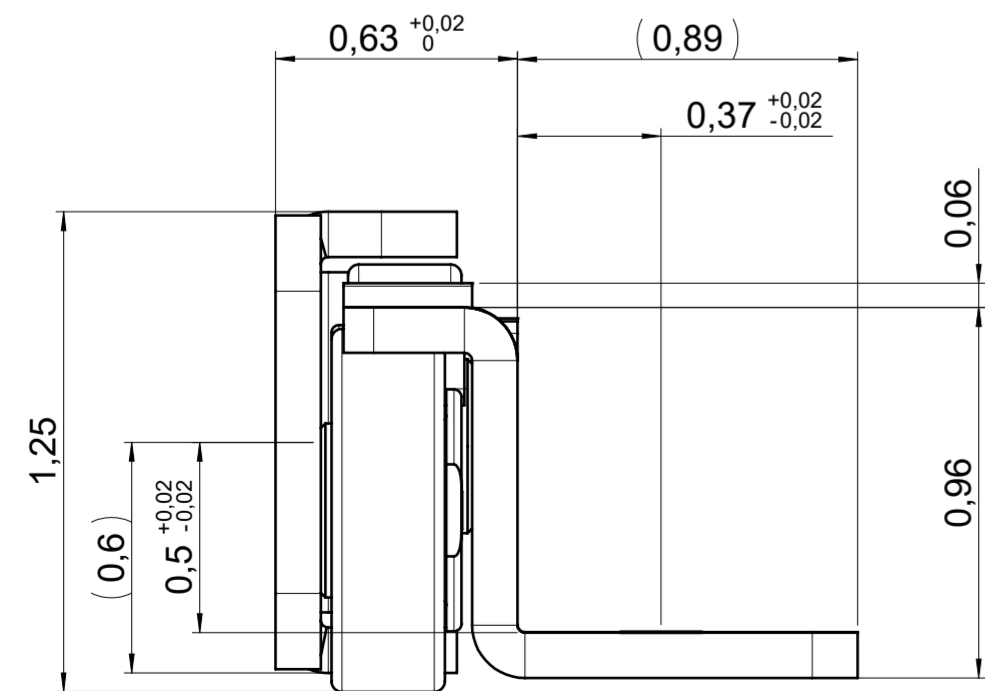
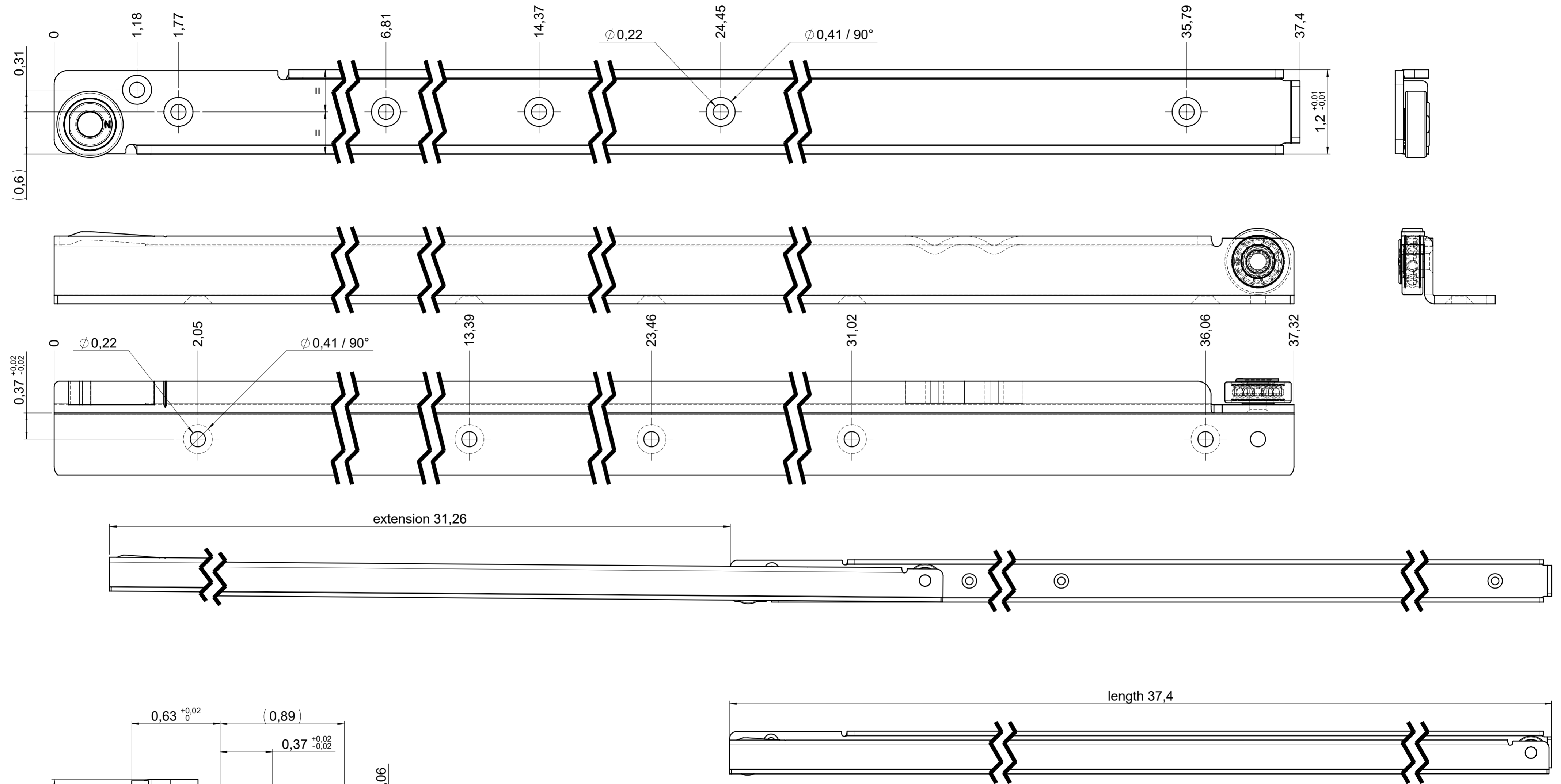


drawn left (right mirrorimage)



final approval

customer name:

signed by:

date:

| all dimensions in inch | | | | DIN ISO 128-30 missing dimensions see 3D = theor. intersection | |
|--|--|----------|--|---|--|
| This drawing remains our property and may not be multiplied neither be disclosed to third parties (§§1,3 and 5 from the copyright Act (UrhG)) covered according to DIN ISO 16016 | | | | | |
| scale: 1:1 | | surface: | | material, semi finished parts: STEEL (technical requirements Fulterer) | |
| drawn 24-11-2022 | | date | | description: FR 206 / 95 EN (inch) regular-extension drawerside / bottom mount | |
| proven 02-01-2023 | | name | | drawing number: 206.950-GA.0000 | |
| | | pr | | replaces version date: | |
| | | Fulterer | | Fulterer AG & Co KG A-6890 Lustenau / Austria Fulterer AG CH-9430 St. Margrethen | |
| ind. | | changes | | date | |
| | | na. | | | |