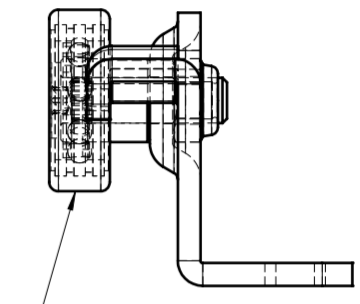
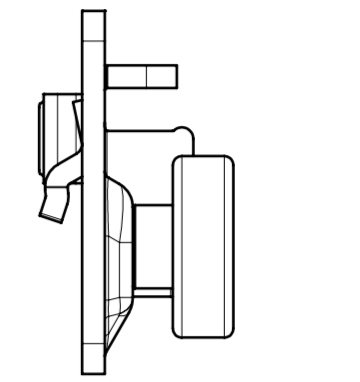
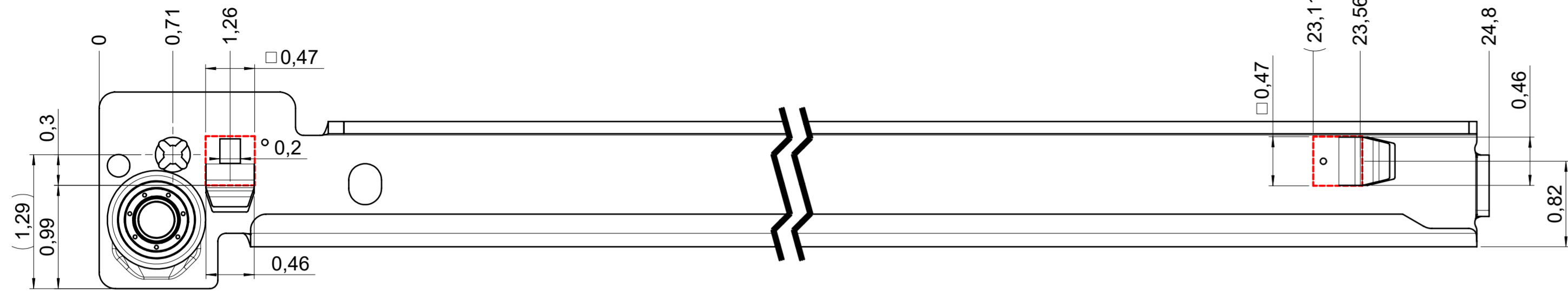
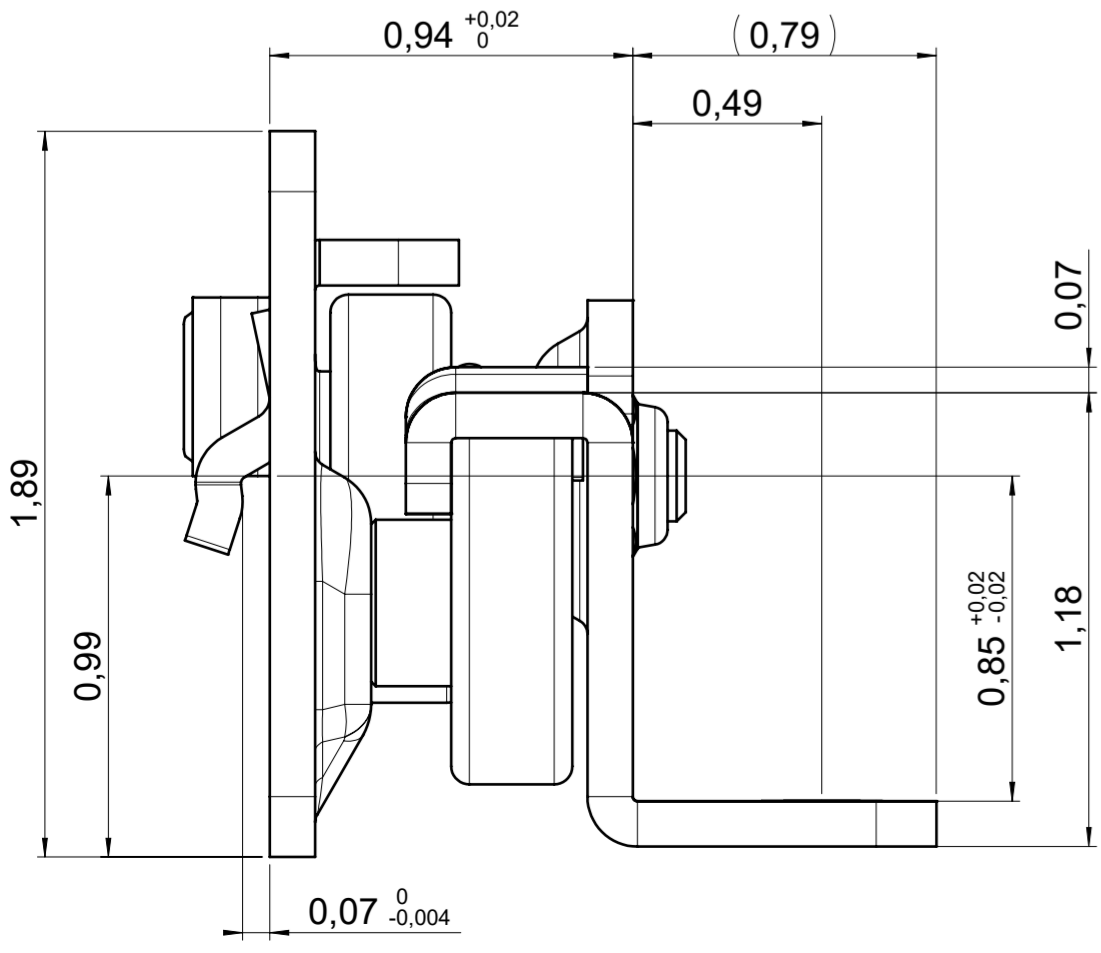
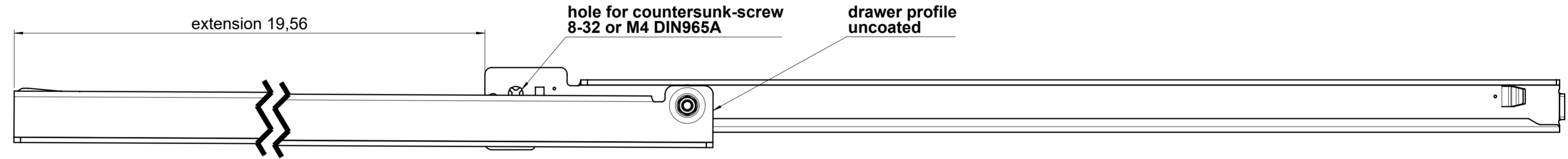
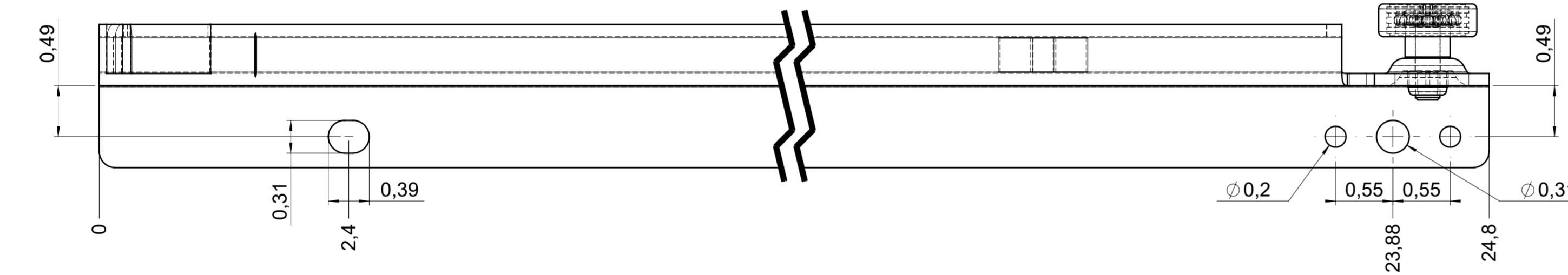
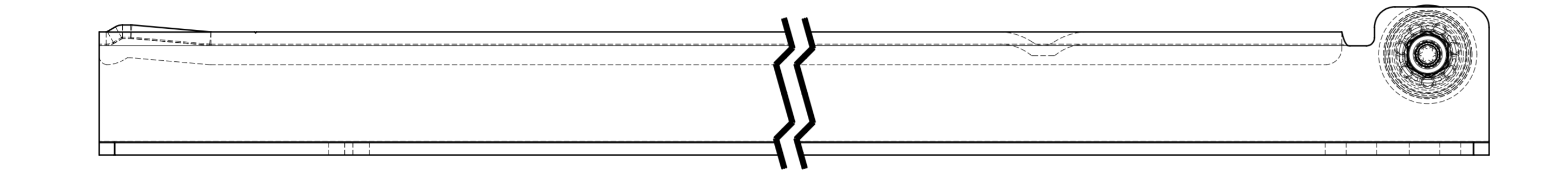


drawn left (right mirrorimage)

dimensions without coating / maximum coating allowed 0.004in



rollers assembled by customer



final approval

customer name:

signed by:

date:

all dimensions in inch				DIN ISO 128-30 missing dimensions see 3D = theor. intersection	
This drawing remains our property and may not be multiplied neither be disclosed to third parties (§§1,3 and 5 from the copyright Act (UrhG)) covered according to DIN ISO 16016					
(k) (l) (m) (n) (o) (p) (q) (r) (s) (t) (u) (v) (w) (x) (y) (z)	scale:	1:1	surface:	material, semi finished parts: STEEL (technical requirements Fulterer)	
	drawn	01-02-2023	date	name	description: FR 215 / 63 EN (inch) regular-extension drawerside / bottom mount
	proven	01-03-2023	date	pr	
					drawing number: 215.630-GA.U004
Fulterer AG & Co KG A-6890 Lustenau / Austria Fulterer AG CH-9430 St. Margrethen				replaces version date:	
ind.	changes	date	na.		