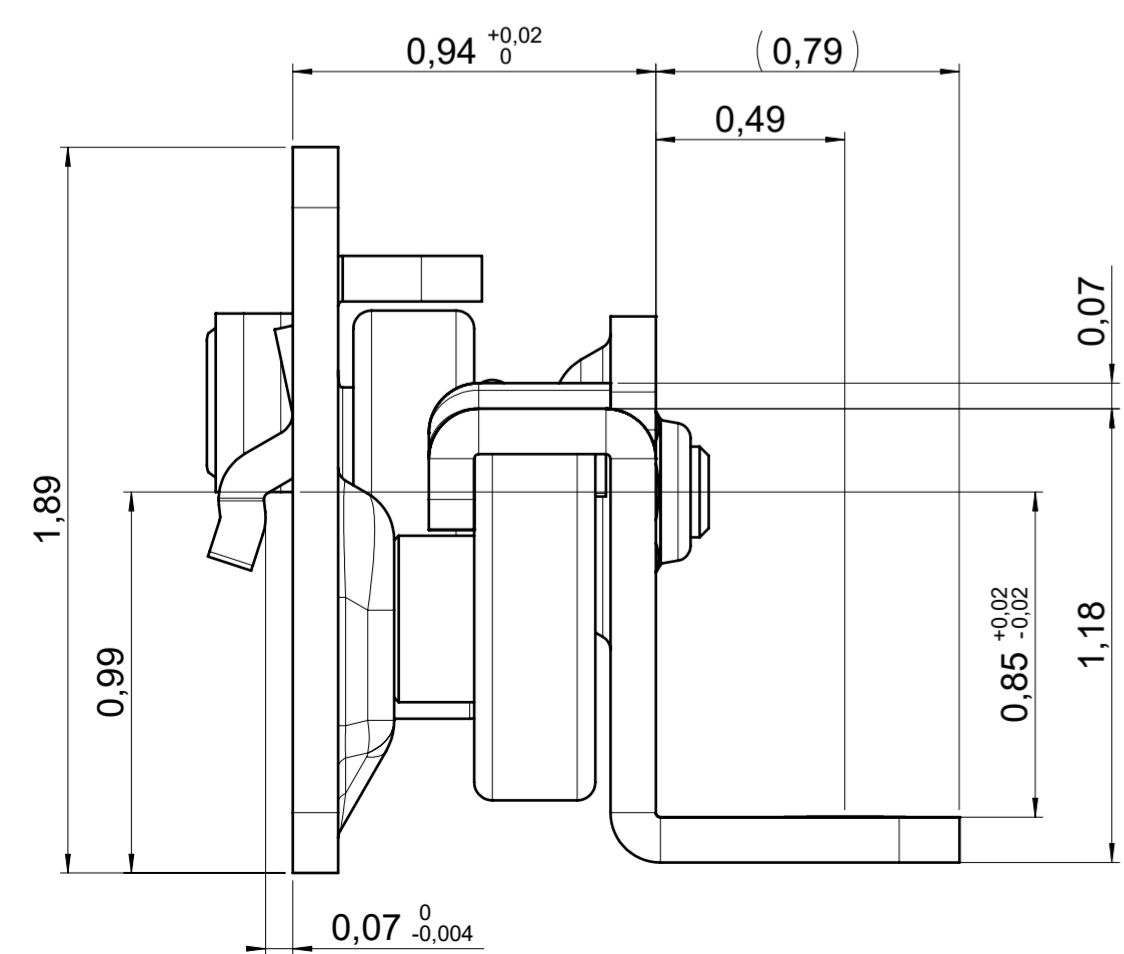
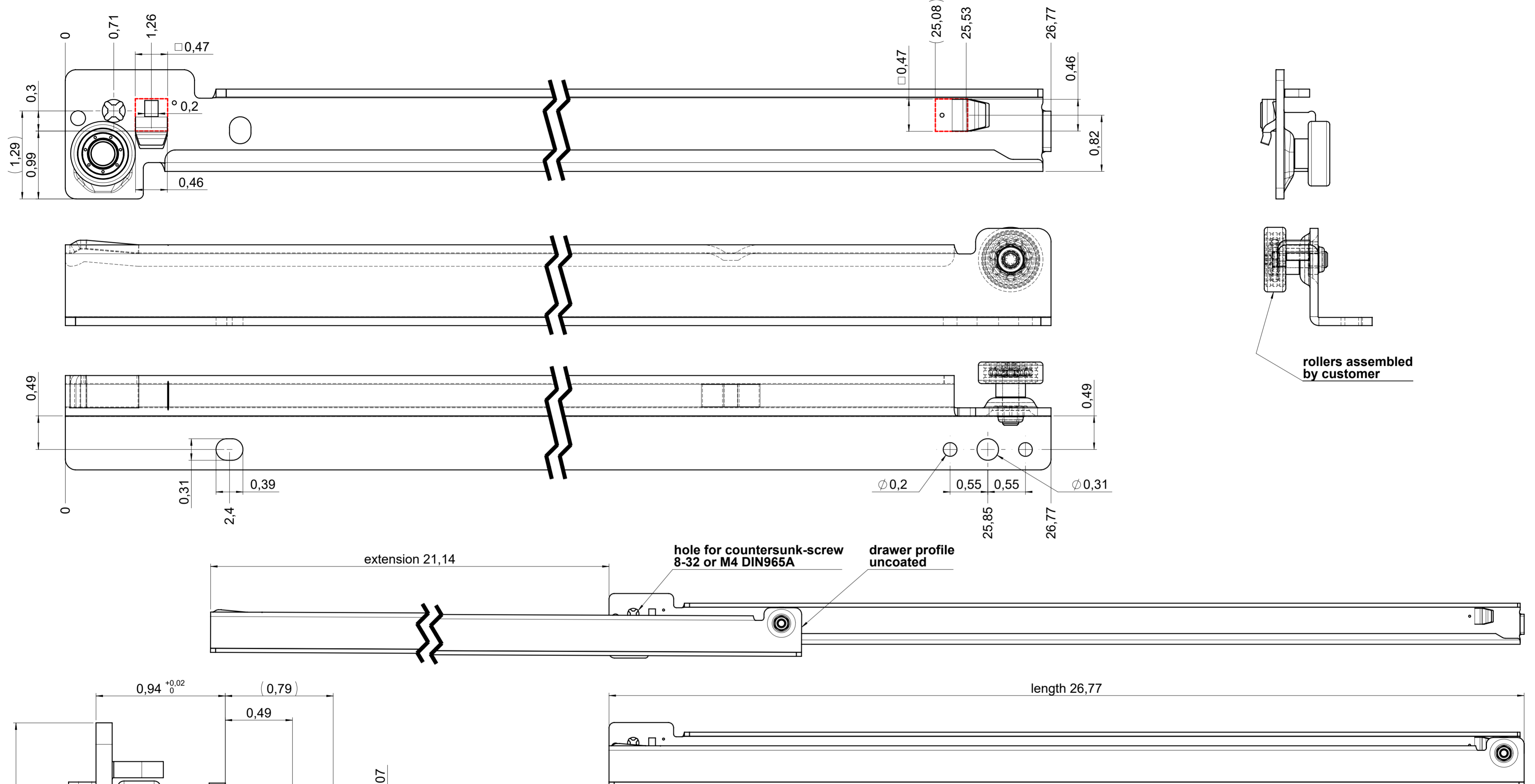


drawn left (right mirrorimage)

dimensions without coating / maximum coating allowed 0.004in



final approval

customer name:

signed by:

date:

all dimensions in inch				DIN ISO 128-30 missing dimensions see 3D = theor. intersection	
This drawing remains our property and may not be multiplied neither be disclosed to third parties (§§1,3 and 5 from the copyright Act (UrhG)) covered according to DIN ISO 16016					
scale: 1:1		surface:		material, semi finished parts: STEEL (technical requirements Fulterer)	
drawn	date	name	ex	description: FR 215 / 68 EN (inch) regular-extension drawerside / bottom mount	
proven	01-03-2023	pr			
				drawing number: 215.680-GA.U004	
Fulterer AG & Co KG A-6890 Lustenau / Austria Fulterer AG CH-9430 St. Margrethen				replaces version date:	
ind.	changes	date	na.		