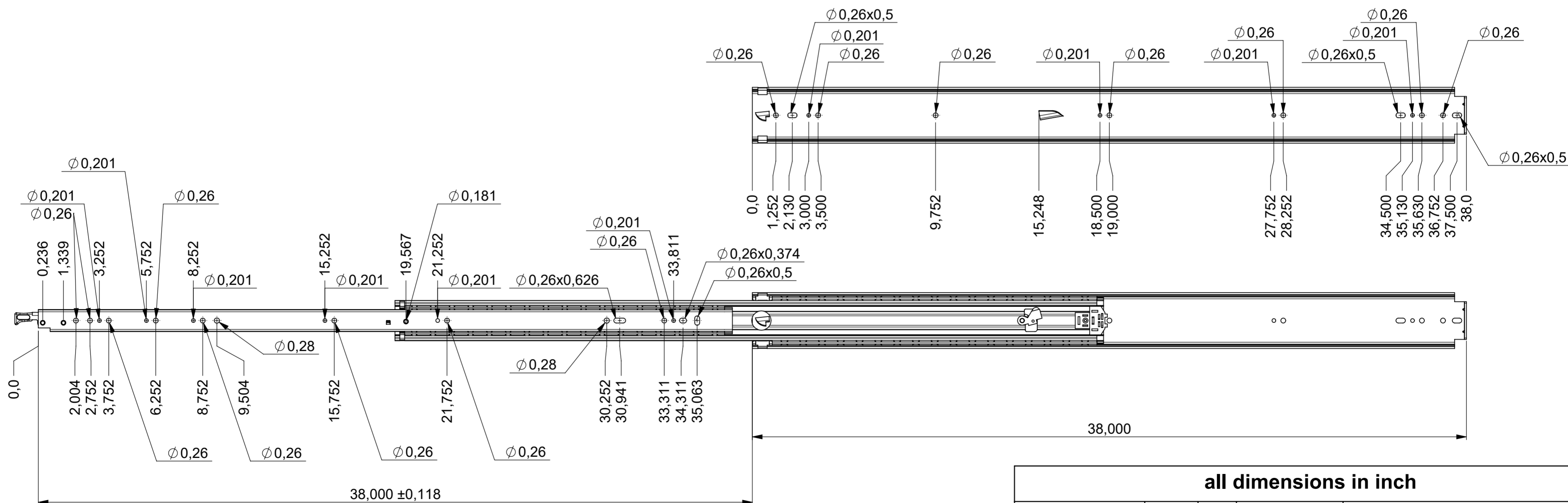


CABINET MOUNTING HOLES



RECOMMENDED HARDWARE:
CABINET - M6 OR 1/4 BUTTON HEAD SCREWS
DRAWER - M6 OR 1/4 BUTTON HEAD SCREWS

all dimensions in inch

missing dimensions see 3D ∅ = theor. intersection	DIN ISO 128-30	scale: 1:4	surface/color: Zinc plated	material: STEEL <small>(technical requirements Fullterer)</small>
released			date 2025-01-30	name PH
			drawn 2025-02-27	BM
 Fullterer AG & Co KG A-6890 Lustenau Fullterer AG CH-9430 St. Margrethen			description: FULL EXTENSION SIDE MOUNT(in.) heavy duty spring lock-in/lock-out non-disconnect slide	
			drawing number: 5401.36-GA.C054D	
ind. changes	date	name	replaces the edition:	
This drawing remains our property and may not be multiplied neither be disclosed to third parties (§§1.3 and 5 from the copyright Act (UrHG)).				covered according to DIN ISO 16016