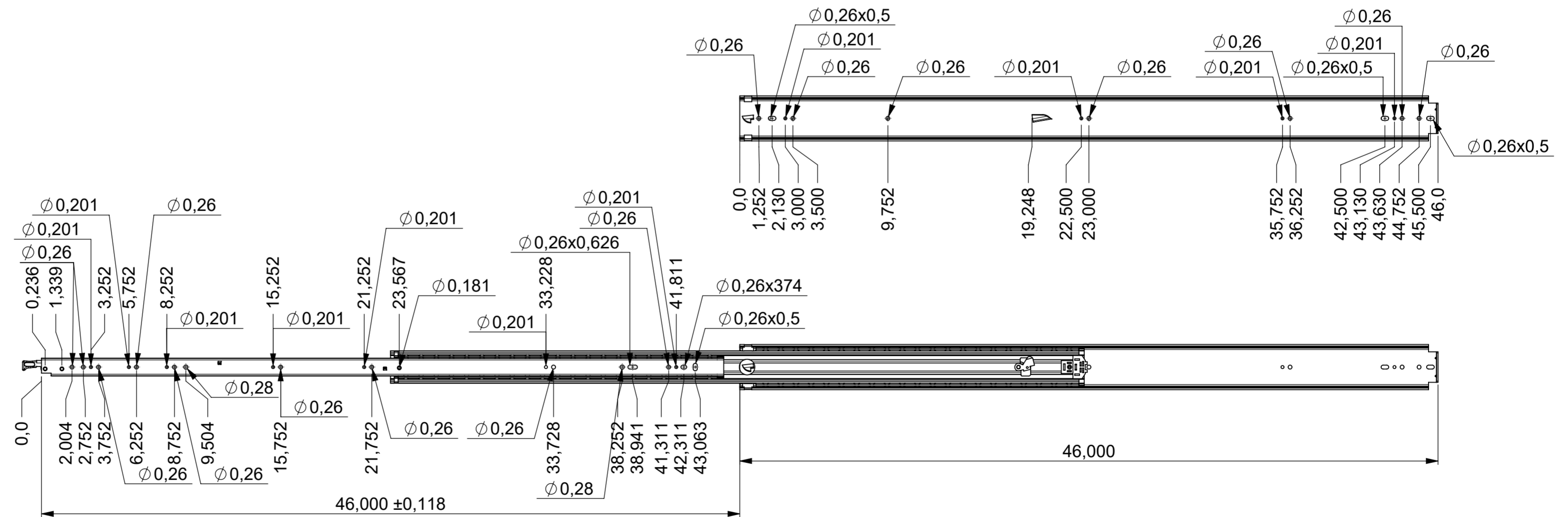


### CABINET MOUNTING HOLES



**RECOMMENDED HARDWARE:**  
**CABINET - M6 OR 1/4 BUTTON HEAD SCREWS**  
**DRAWER - M6 OR 1/4 BUTTON HEAD SCREWS**

all dimensions in inch			
missing dimensions see 3D ∅ = theor. intersection	DIN ISO 128-30	scale: <b>1:6</b>	surface/color: <b>Zinc plated</b>
<b>released</b>		material: <b>STEEL</b>	(technical requirements Fullterer)
		description: <b>FULL EXTENSION SIDE MOUNT(in.) heavy duty spring lock-in/lock-out non-disconnect slide</b>	
drawn 2025-01-30 PH	date 2025-01-30	name PH	drawing number: <b>5401.46-GA.C054D</b>
proven 2025-02-27 BM	date 2025-02-27	name BM	replaces the edition:
ind. changes		date	name
 Fullterer AG & Co KG A-6890 Lustenau Fullterer AG CH-9430 St. Margrethen			drawing number: <b>5401.46-GA.C054D</b> replaces the edition:
This drawing remains our property and may not be multiplied neither be disclosed to third parties (§§1,3 and 5 from the copyright Act (UrH.G)).			covered according to DIN ISO 16016