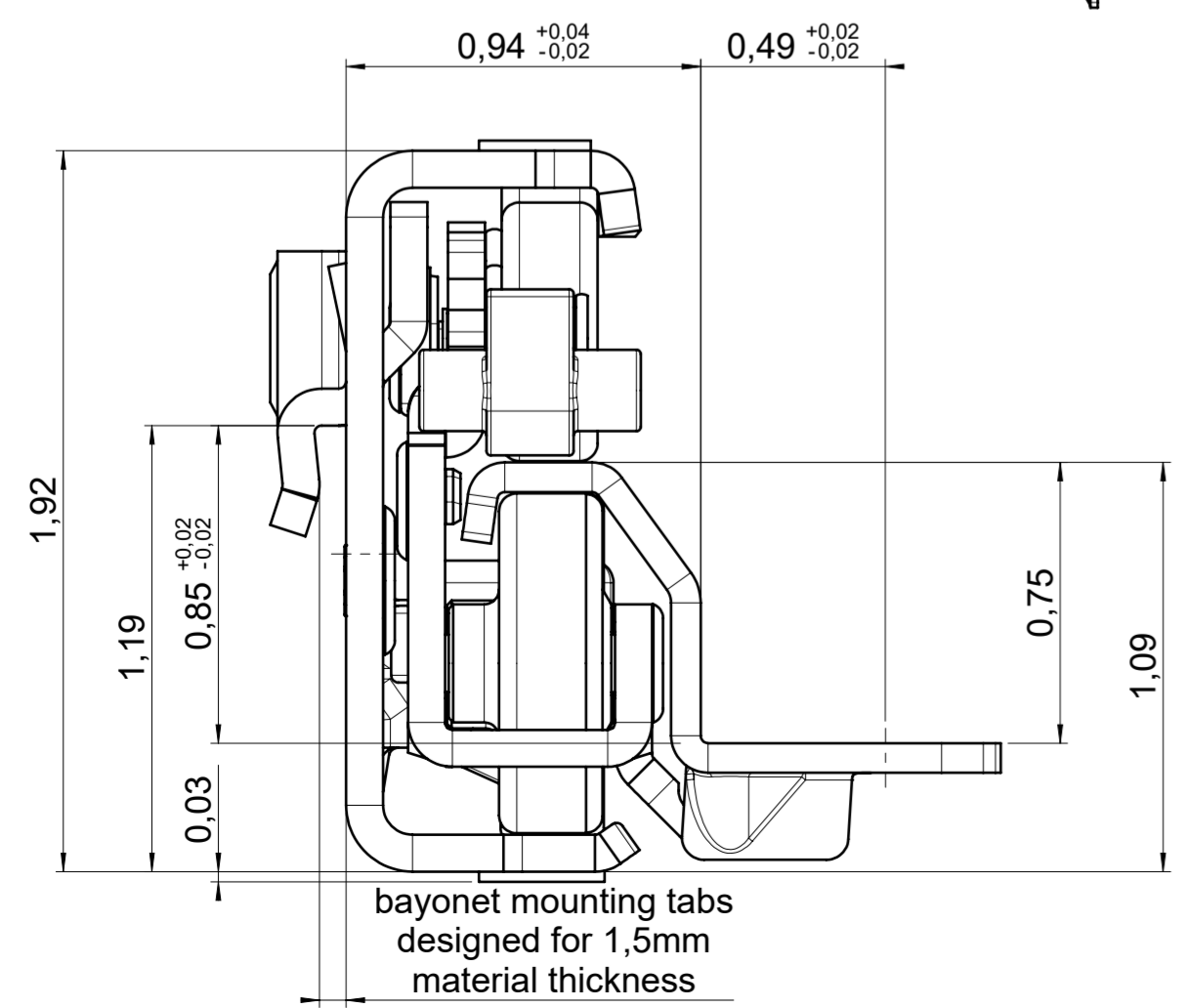
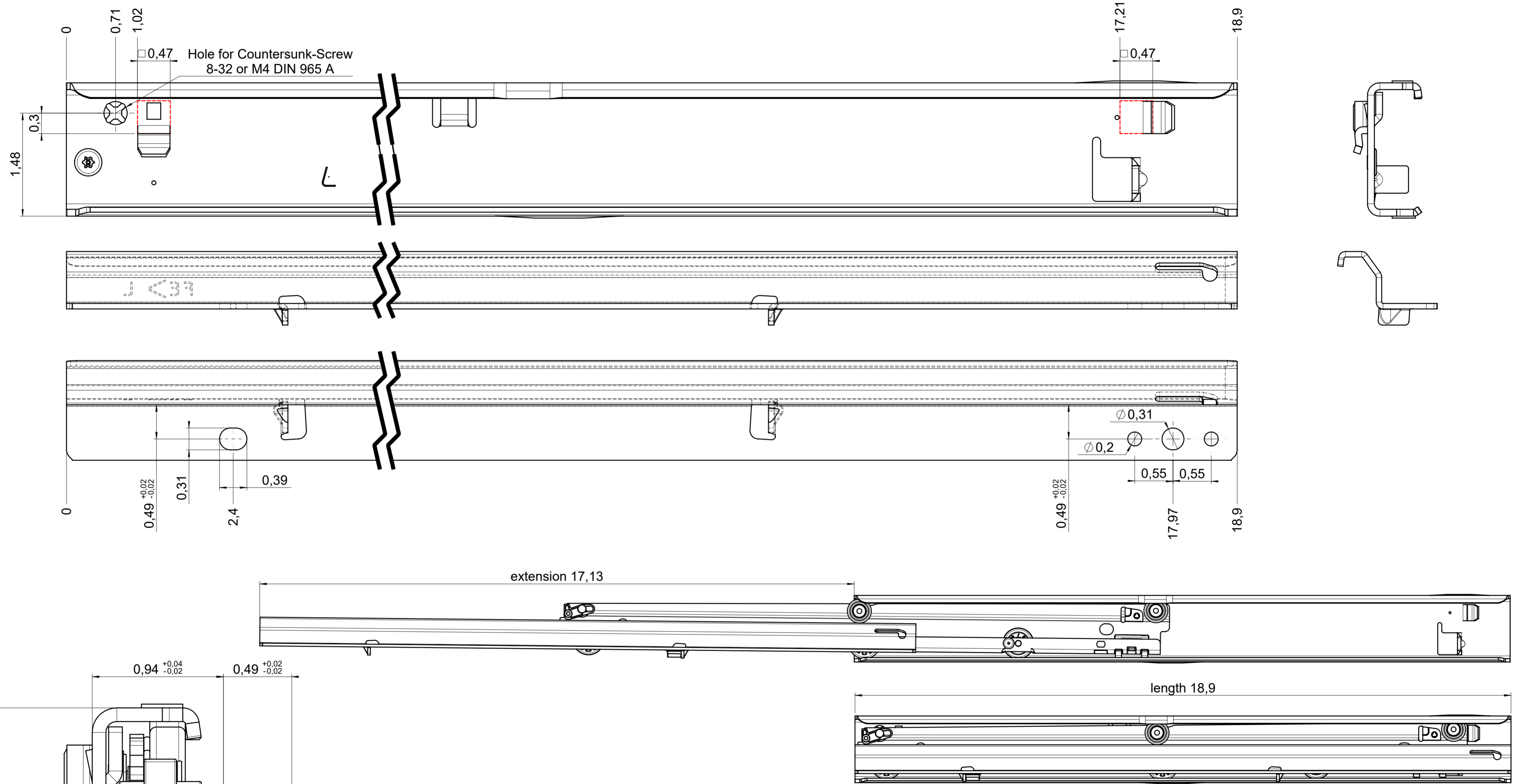


7075.450-GA.U007

drawn left (right mirrorimage)

dimensions without coating / maximum coating allowed 0.1mm



final approval

customer name:

signed by:

date:

all dimensions in inch			DIN ISO 128-30 missing dimensions see 3D = theor. intersection	
This drawing remains our property and may not be multiplied neither be disclosed to third parties (§§1,3 and 5 from the copyright Act (UrhG)) covered according to DIN ISO 16016				
(k) (l) (i) (h) (g) (f) (e) (d) (c) (b) (a)	scale:	1:1	surface:	material, semi finished parts: steel
	date:	07-12-2022	name:	BM
	proven:	00-00-0000	description:	FR 7075 / 45 EN (inch) progressive-action full-extension drawerslide / bottom mount
	Fulterer Fulterer AG & Co KG A-6890 Lustenau / Austria Fulterer AG CH-9430 St. Margrethen			drawing number: 7075.450-GA.U007 replaces version date:
ind.	changes	date	na.	A2