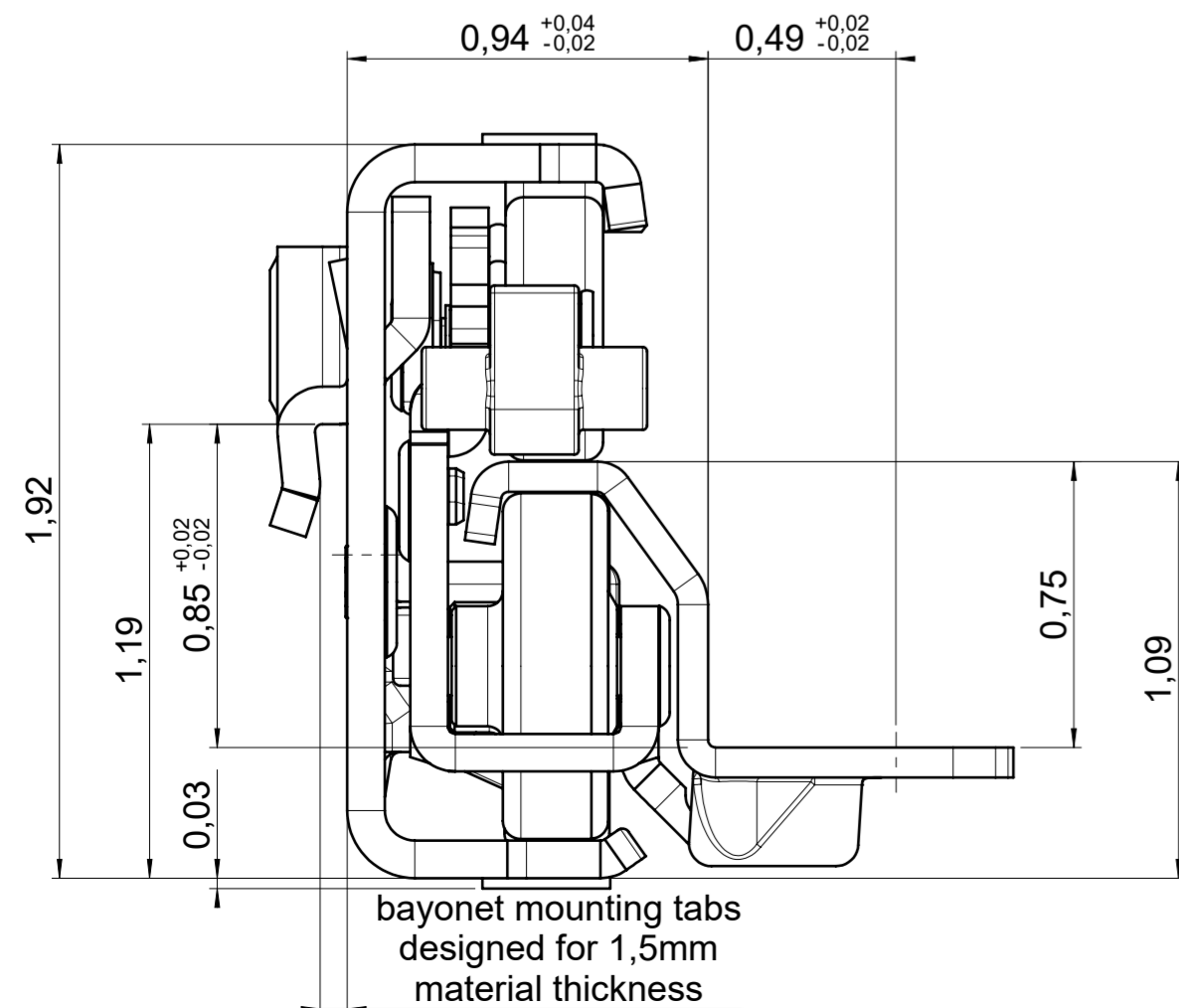
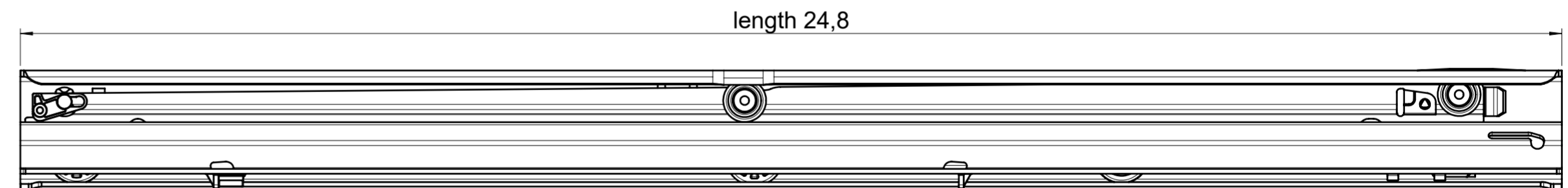
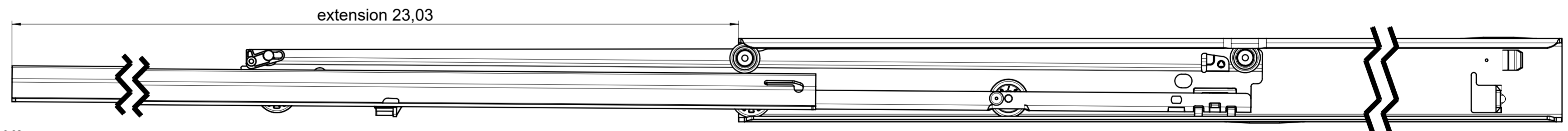
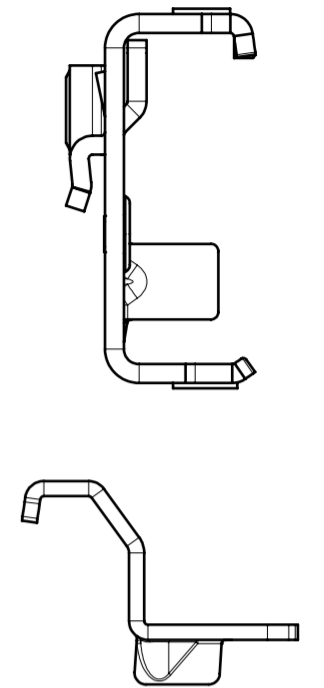
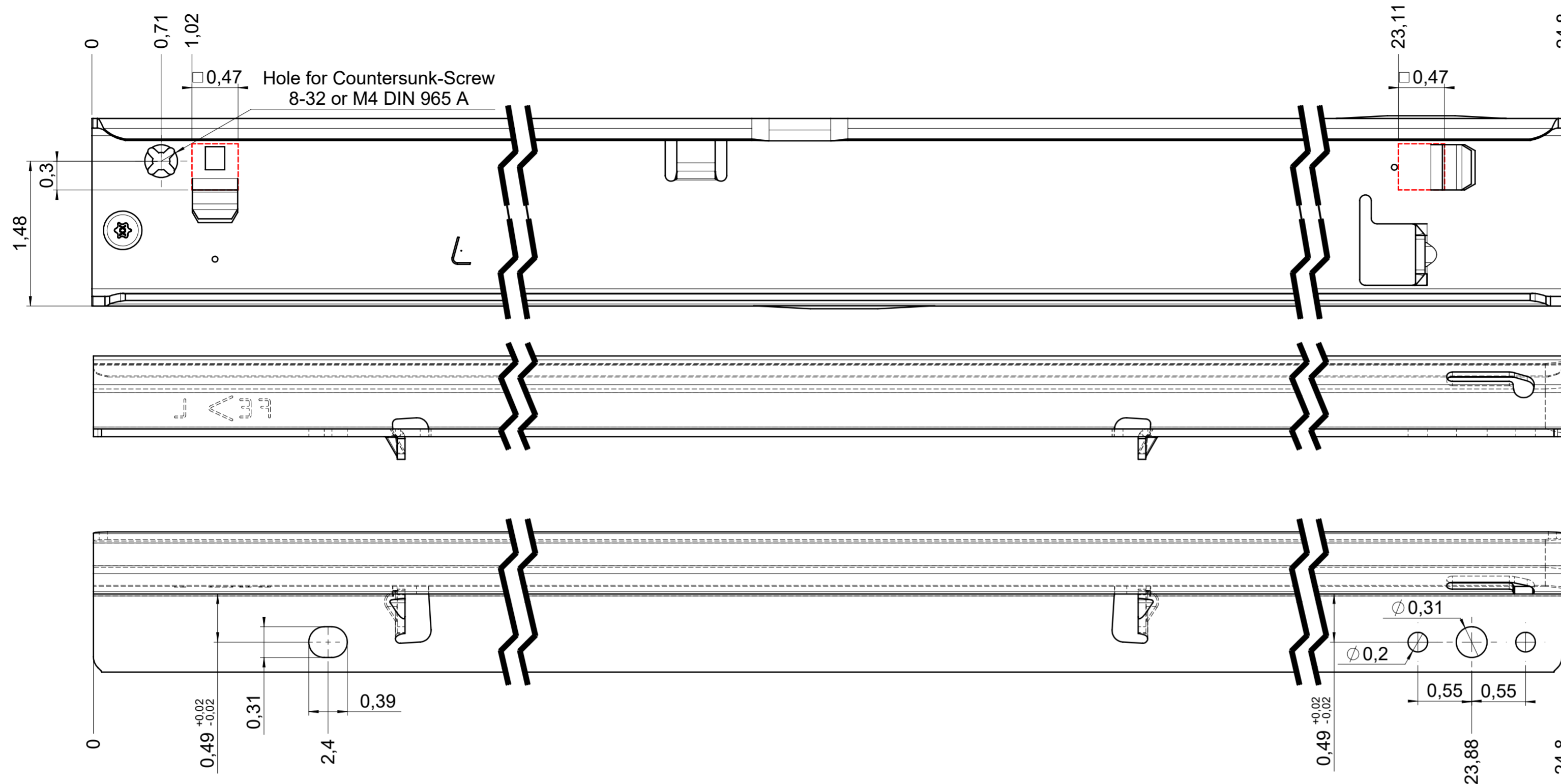


# 7075.600-GA.U007

drawn left (right mirrorimage)

dimensions without coating / maximum coating allowed 0.1mm



**final approval**

customer name:

signed by:

date:

**all dimensions in inch**

DIN ISO 128-30  
missing dimensions see 3D  
= theor. intersection

|  |  |  |  |               |          |   |  |
|--|--|--|--|---------------|----------|---|--|
| This drawing remains our property and may not be multiplied neither be disclosed to third parties (§§1,3 and 5 from the copyright Act (UrhG)) covered according to DIN ISO 16016 |  |  |  | scale:<br>1:1 | surface: | material, semi finished parts:<br>steel<br>(technical requirements Fulterer)                              | A2   |
| (k)  |  |  |  | date          | name     | description:<br>FR 7075 / 60 EN (inch)<br>progressive-action full-extension<br>drawerslide / bottom mount | drawing number:<br><b>7075.600-GA.U007</b><br>replaces version date: |
| (l)  |  |  | drawn 07-12-2022                                 | BM            |          |   |  |
| (m)  |  |  | proven 00-00-0000                                | 00            |          |   |  |
| (n)  |  |  | <b>Fulterer</b>                                  |               |          |   |  |
| (o)  |  |  | Fulterer AG & Co KG<br>A-6890 Lustenau / Austria |               |          |   |  |
| (p)  |  |  | Fulterer AG<br>CH-9430 St. Margrethen            |               |          |   |  |
| (q)  |  |  | ind.   | changes       | date     | na.   |  |