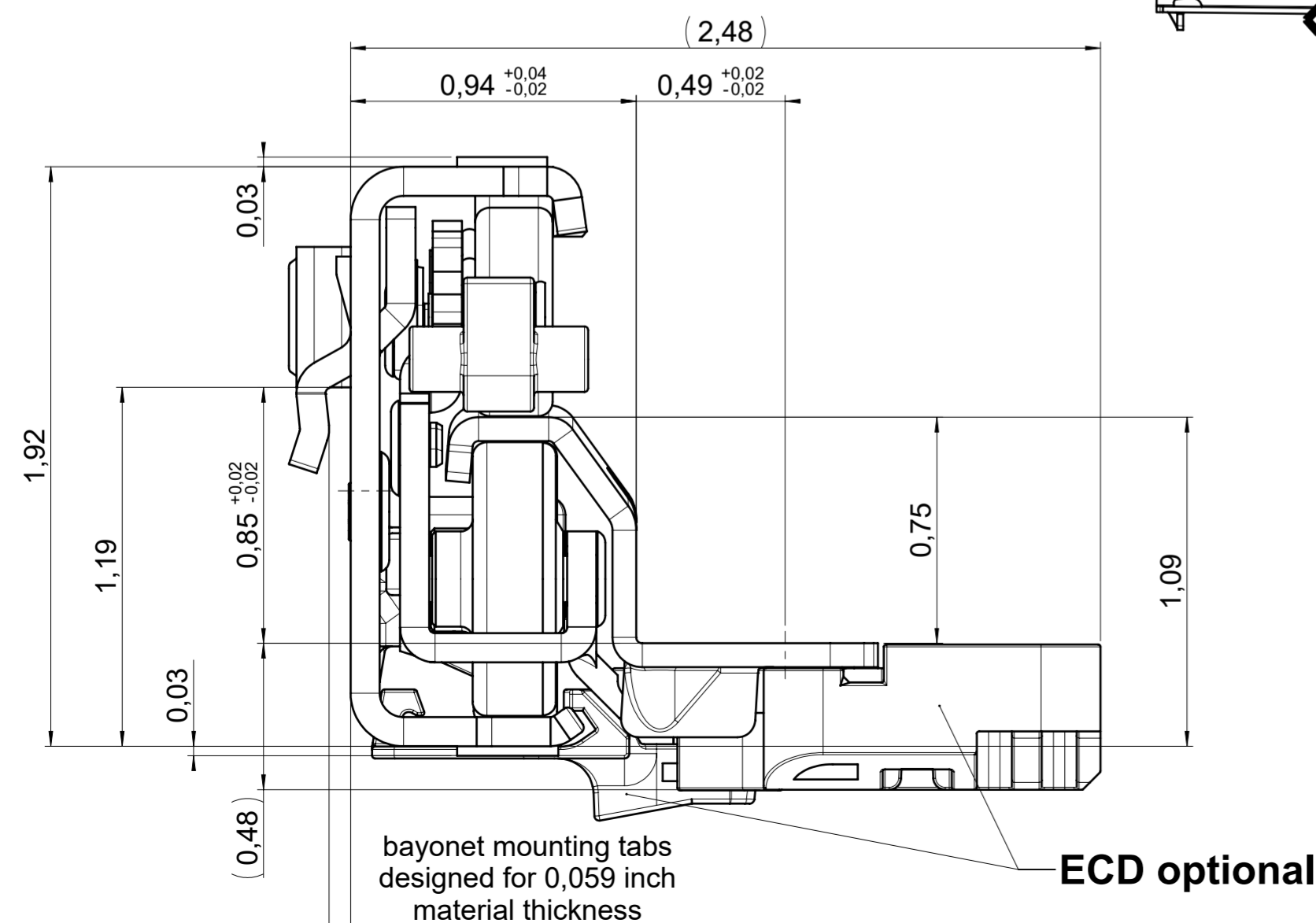
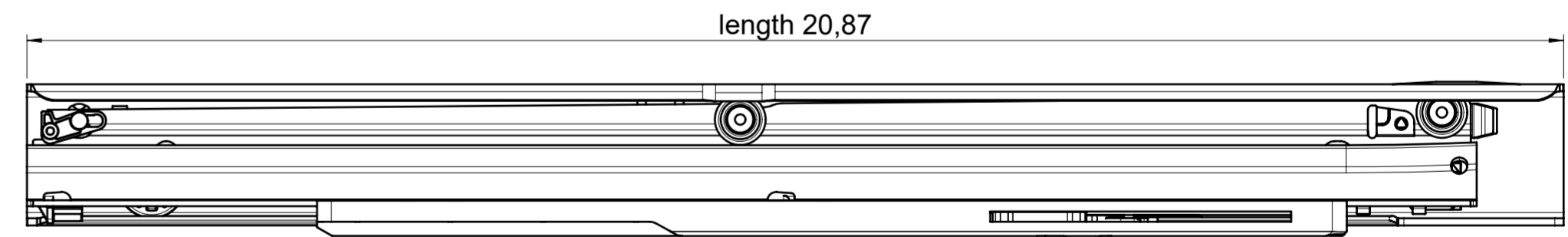
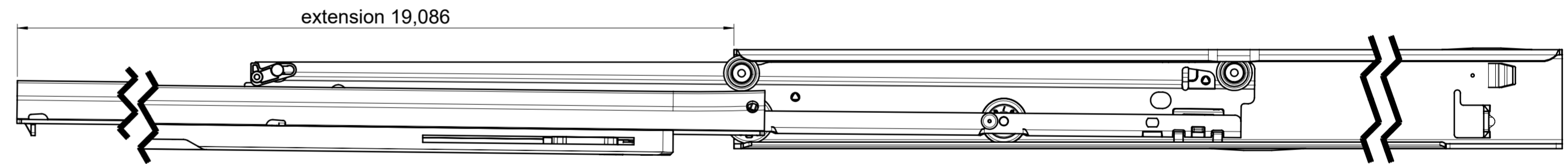
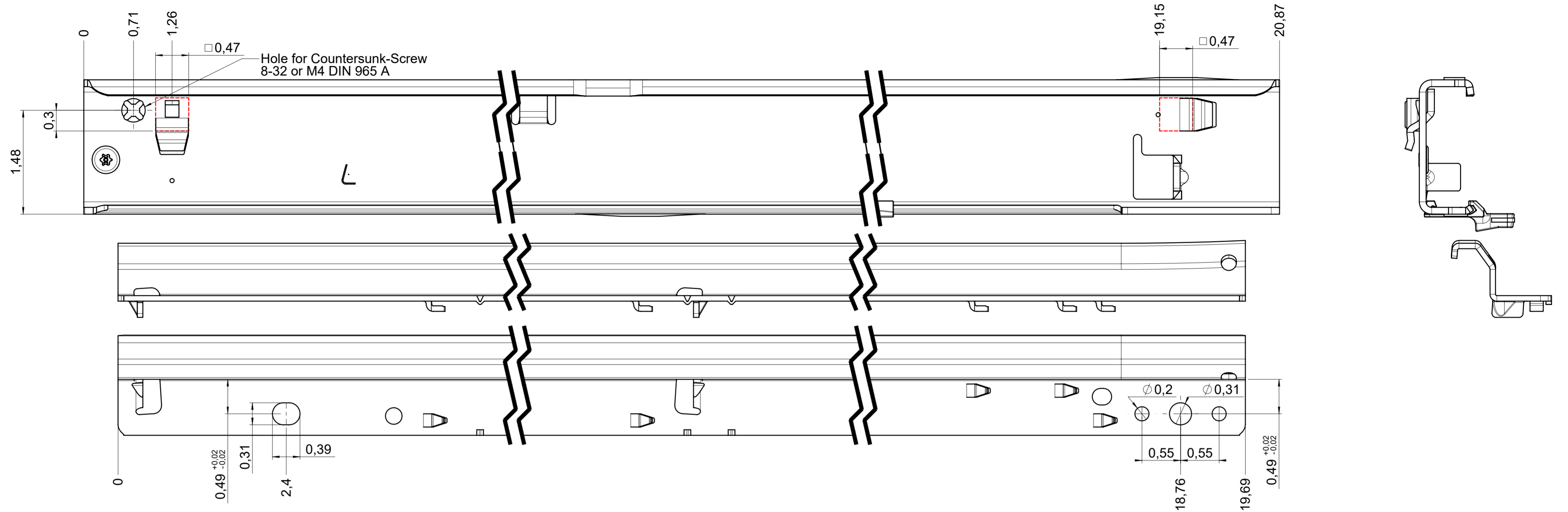


7075A.500-GA.U006

drawn left (right mirrorimage)

dimensions without coating / maximum coating allowed 0.1mm



final approval

customer name:

signed by:

date:

all dimensions in inch

Ⓢ DIN ISO 128-30
missing dimensions see 3D
= theor. intersection

This drawing remains our property and may not be multiplied neither be disclosed to third parties (§§1,3 and 5 from the copyright Act (UrhG)) covered according to DIN ISO 16016				scale: 1:1	surface:	material, semi finished parts:	A2
(k)				date	name	steel	
(l)				drawn 07-02-2023	BM	(technical requirements Fulterer)	
(i)				proven 00-00-0000	00		
(h)				Fulterer		description: FR 7075A / 50 EN (inch) progressive-action full-extension drawerslide / bottom mount	
(g)							
(f)				Fulterer AG & Co KG		drawing number: 7075A.500-GA.U006	
(e)				A-6890 Lustenau / Austria			replaces version date:
(d)				Fulterer AG			
(c)				CH-9430 St. Margrethen			
(b)				ind.	changes	date	na.
(a)							