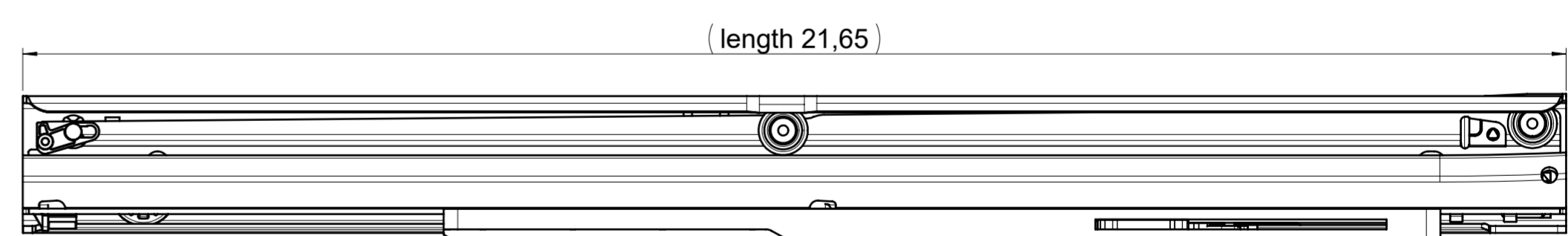
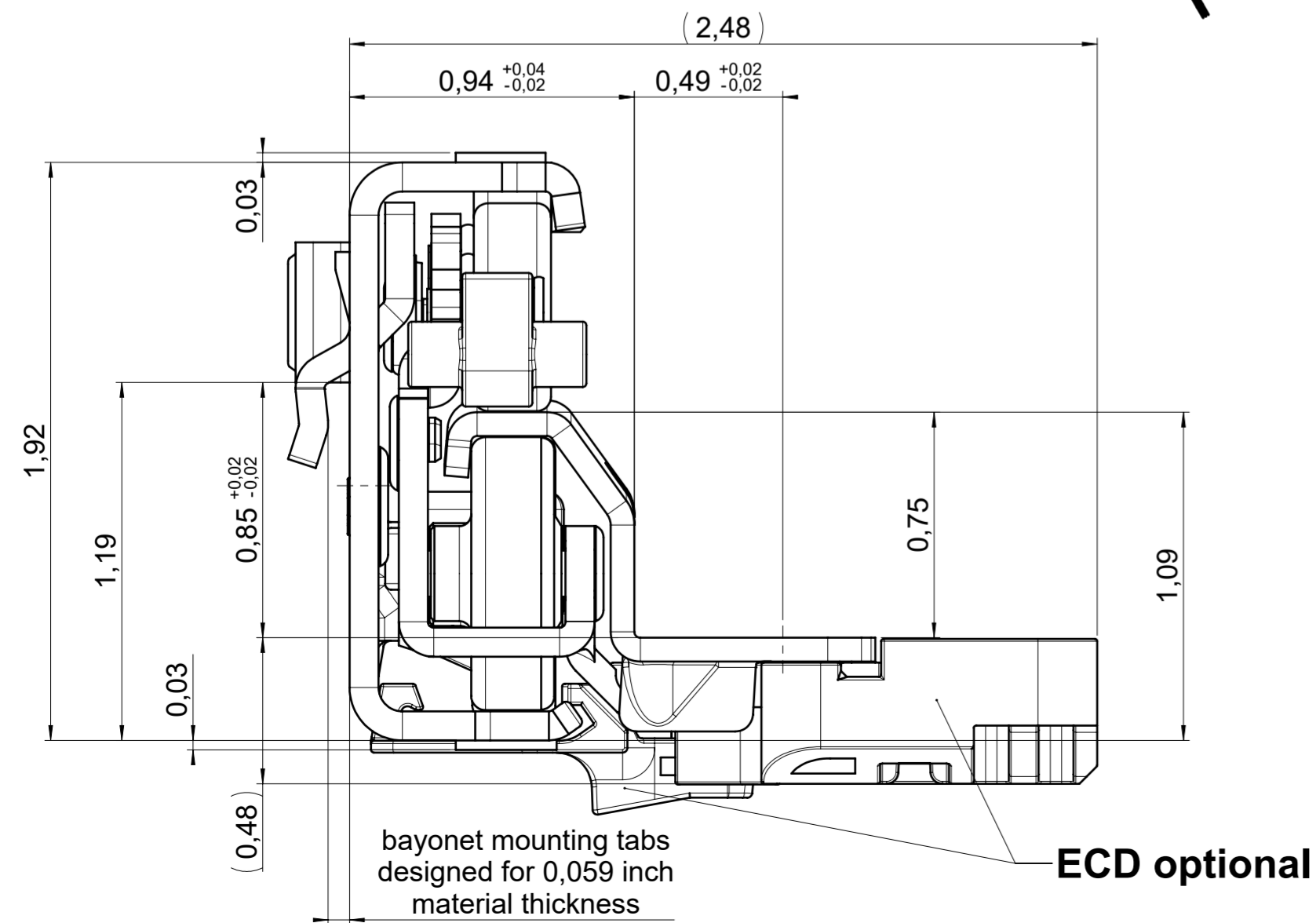
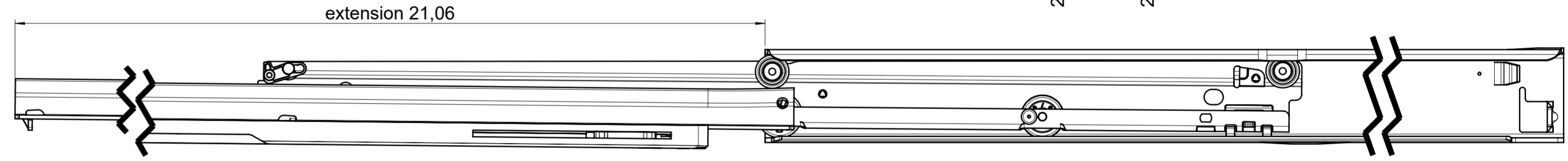
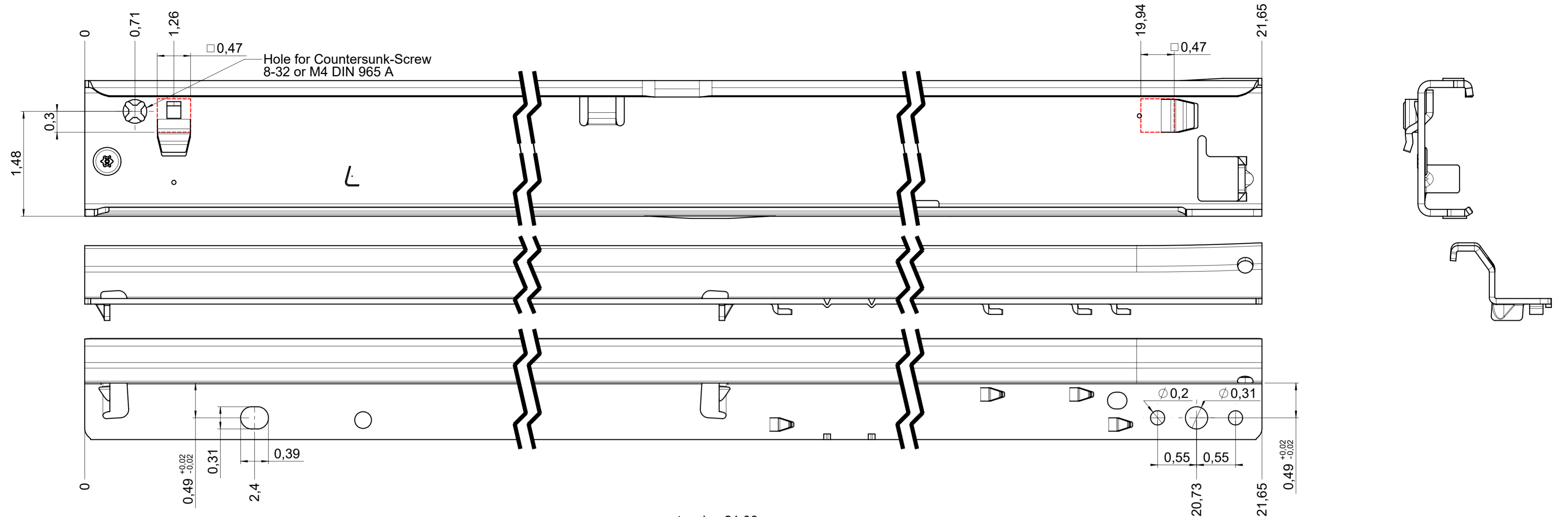


# 7075A.550-GA.U005

drawn left (right mirrorimage)

dimensions without coating / maximum coating allowed 0.1mm



**final approval**

customer name:

signed by:

date:

<b>all dimensions in inch</b>			DIN ISO 128-30 missing dimensions see 3D = theor. intersection	
This drawing remains our property and may not be multiplied neither be disclosed to third parties (§§1,3 and 5 from the copyright Act (UrhG)) covered according to DIN ISO 16016				
scale: 1:1		surface: steel		A2
date: 07-02-2023		name: BM		description: FR 7075A / 55 EN (inch) progressive-action full-extension drawerslide / bottom mount
proven: 00-00-0000		00		
			drawing number: <b>7075A.550-GA.U005</b>	
Fulterer AG & Co KG A-6890 Lustenau / Austria Fulterer AG CH-9430 St. Margrethen			replaces version date:	
ind.	changes	date	na.	