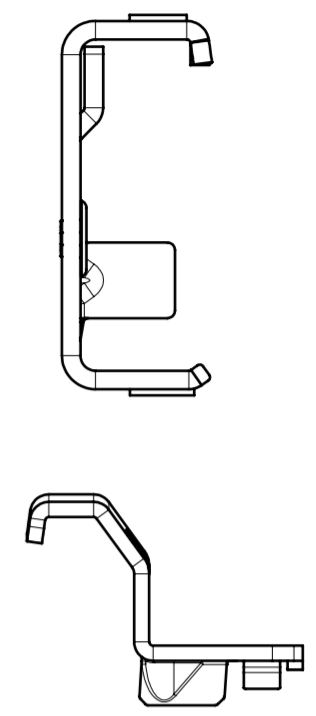
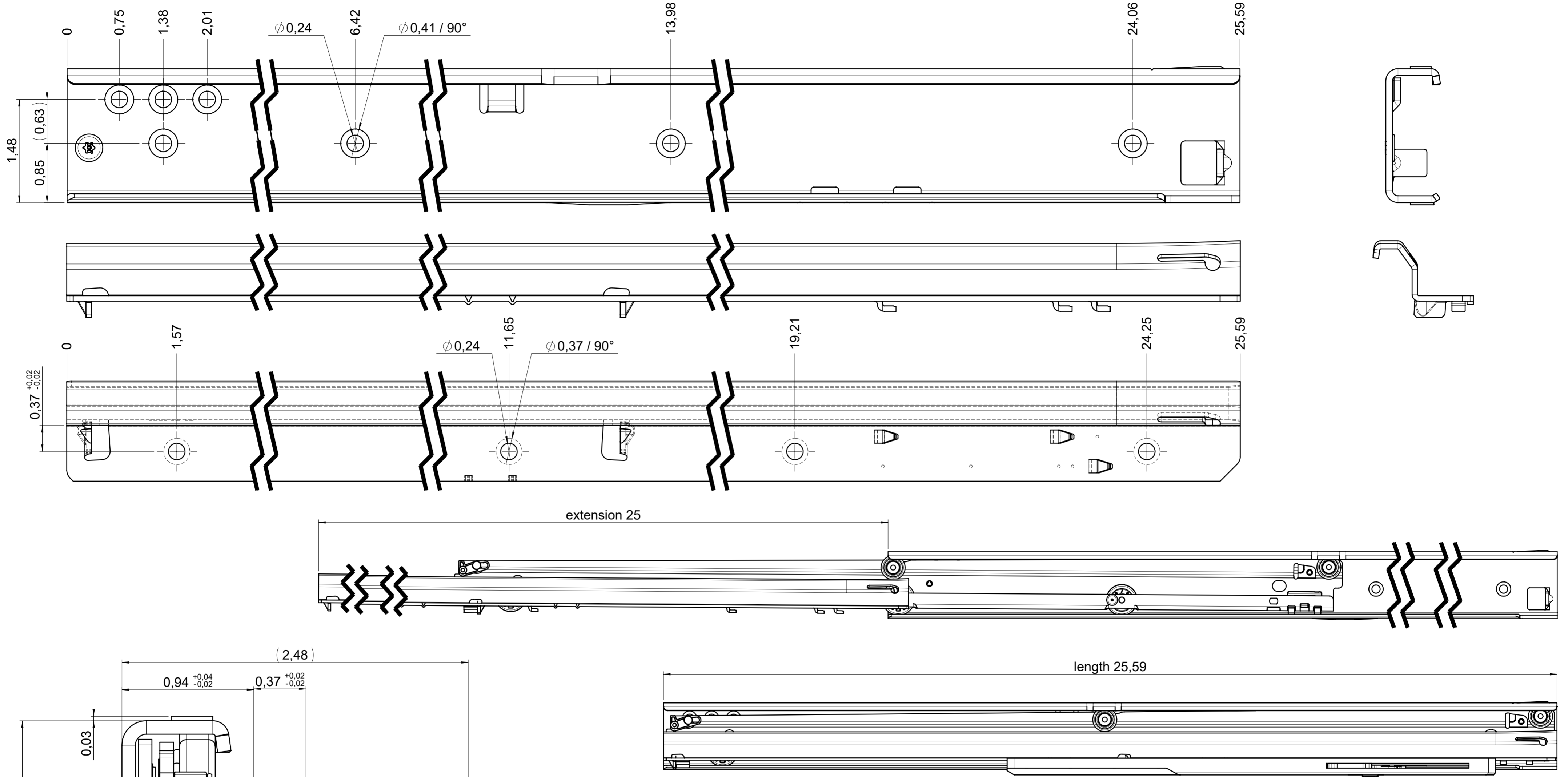


drawn left (right mirrorimage)

dimensions without coating / maximum coating allowed 0.004in



as an option you can retrofit the ECD

final approval

customer name:

signed by:

date:

all dimensions in inch

DIN ISO 128-30
missing dimensions see 3D
 = theor. intersection

This drawing remains our property and may not be multiplied neither be disclosed to third parties (§§1,3 and 5 from the copyright Act (UrhG)) covered according to DIN ISO 16016				scale: 1:1	surface:	material, semi finished parts: steel (technical requirements Fulterer)	A2
(k)				date	name	description: FR 7075A / 65 EN (inch) progressive-action full-extension drawerslide / bottom mount	drawing number: 7075A.650-GA.0000 replaces version date:
(l)			drawn 15-05-2023	FM			
(m)			proven 00-00-0000	00			
(n)							
(o)							
(p)							
(q)							
(r)							
(s)							
(t)							
(u)							
(v)							
(w)							
(x)							
(y)							
(z)							
ind.	changes	date	na.				