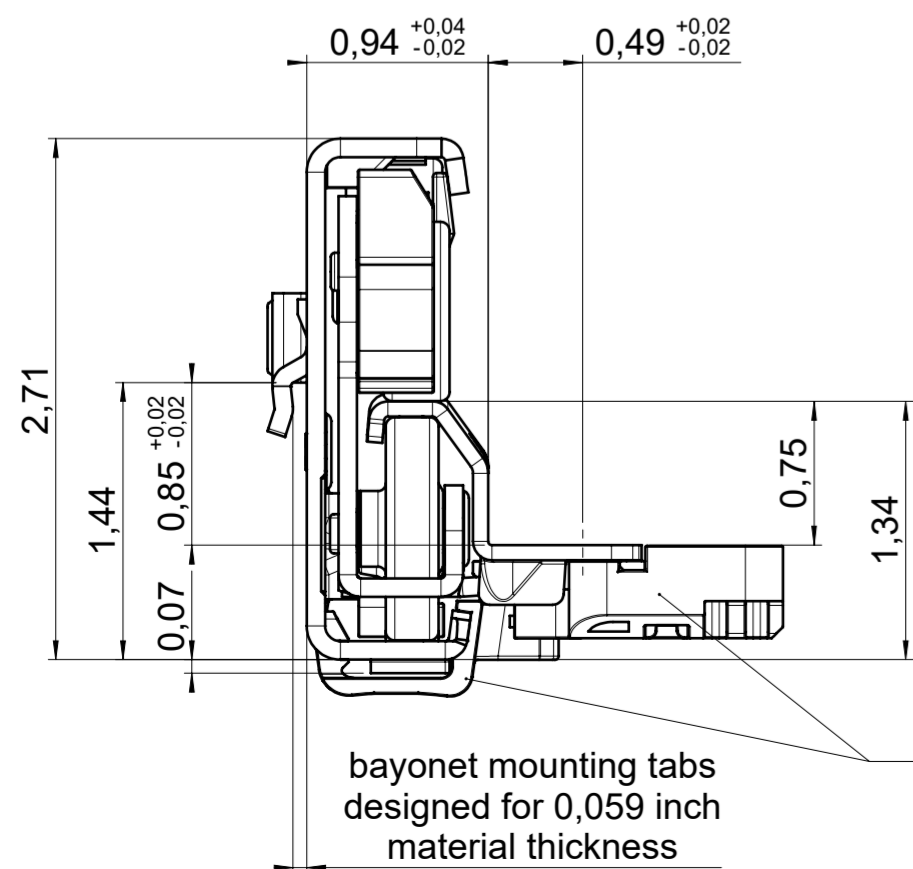
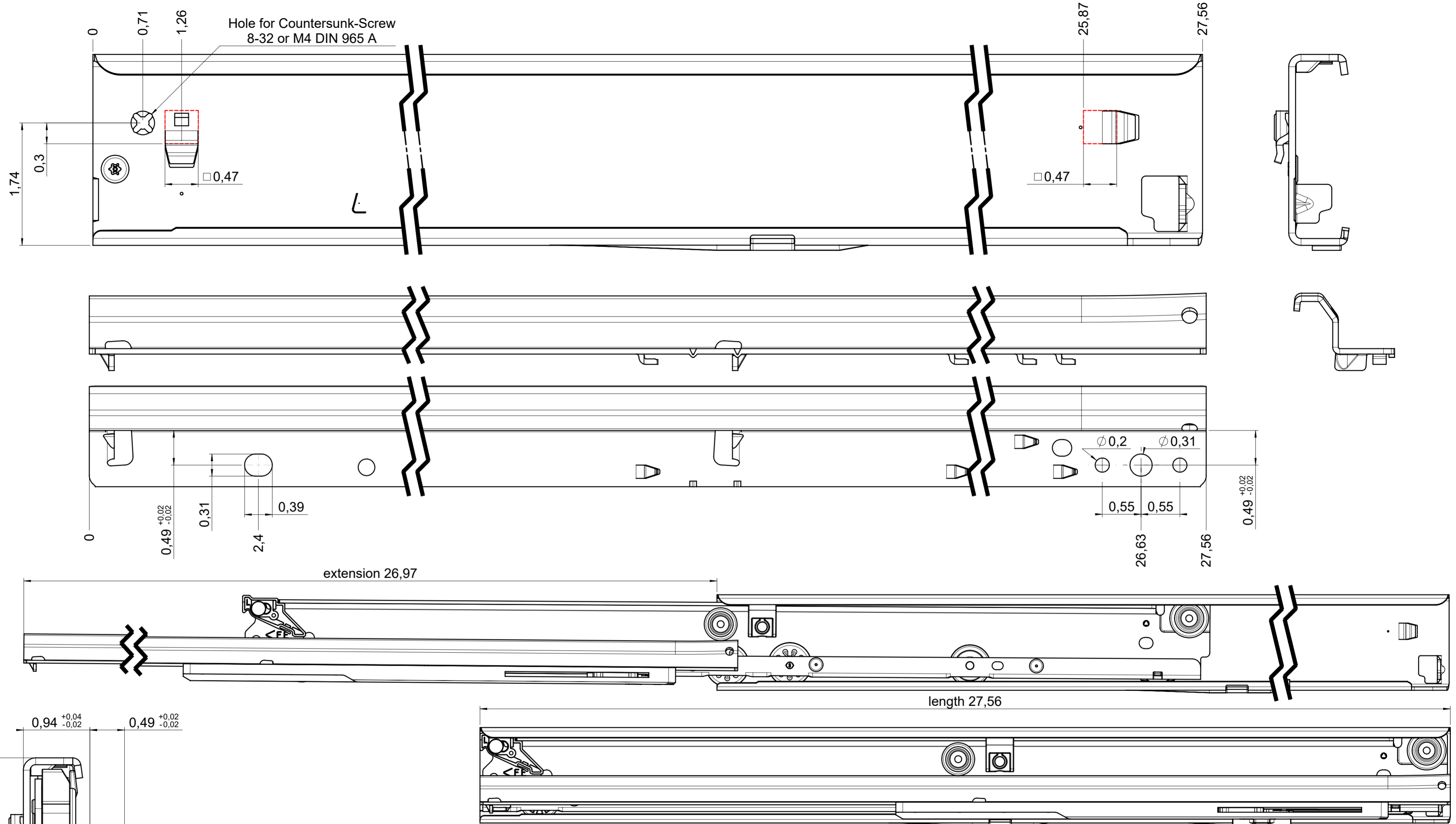


# 7180A.700-GA.U015

drawn left (right mirrorimage)

dimensions without coating / maximum coating allowed 0.1mm



**ECD optional**

**final approval**

customer name:

signed by:

date:

**all dimensions in inch**

DIN ISO 128-30  
missing dimensions see 3D  
= theor. intersection

This drawing remains our property and may not be multiplied neither be disclosed to third parties (§§1,3 and 5 from the copyright Act (UrhG)) covered according to DIN ISO 16016			scale: 1:1	surface:	material, semi finished parts: steel (technical requirements Fulterer)	A2
(k)			date	name	description: FR 7180A / 70 EN (inch) progressive-action full-extension drawerslide / bottom mount	drawing number: <b>7180A.700-GA.U015</b> replaces version date:
(l)			drawn 27-03-2023	BM		
(m)			proven 00-00-0000	00		
(n)			<b>Fulterer</b>			
(o)			Fulterer AG & Co KG A-6890 Lustenau / Austria			
(p)			Fulterer AG CH-9430 St. Margrethen			
(q)			changes	date	na.	