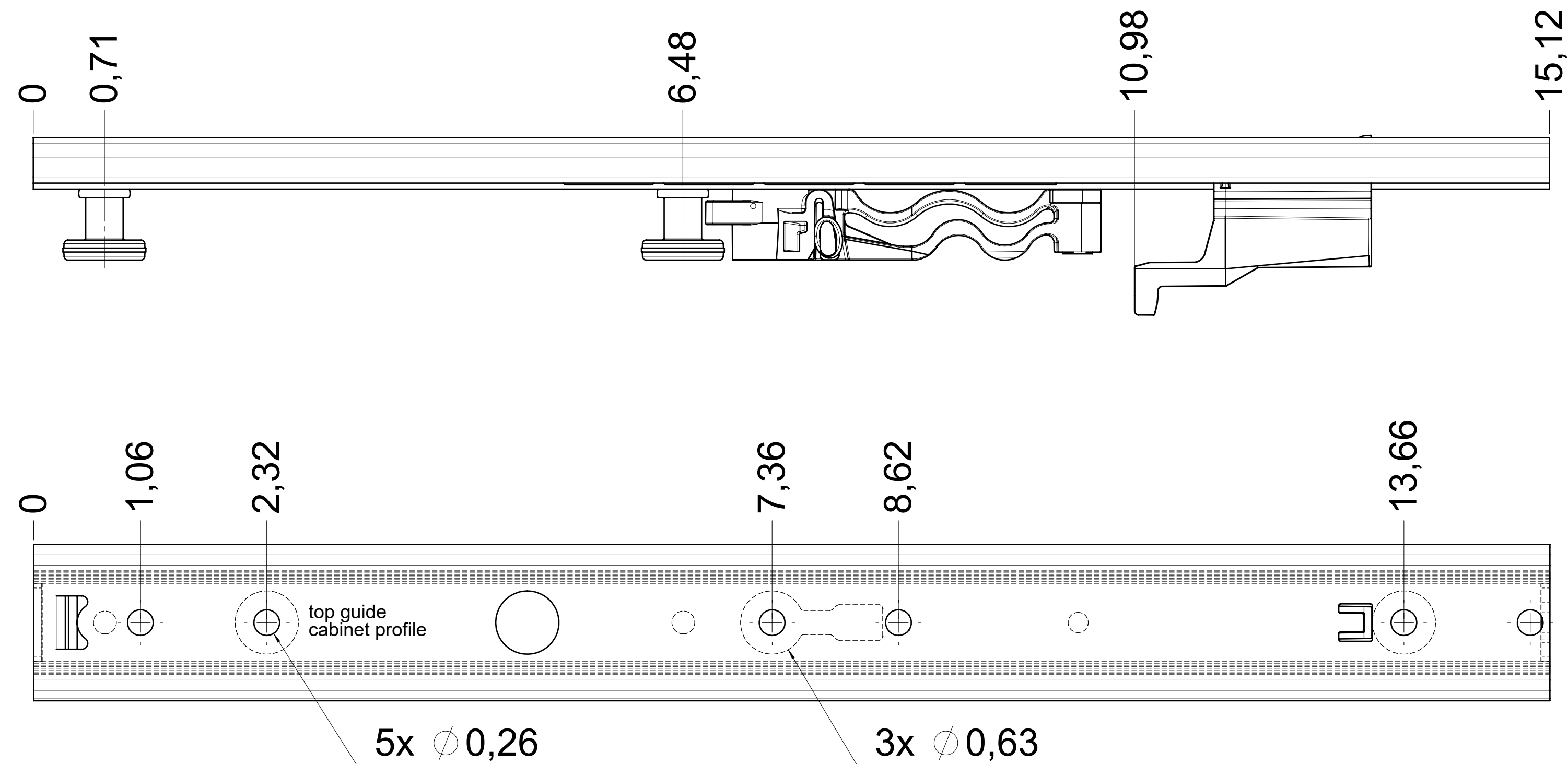
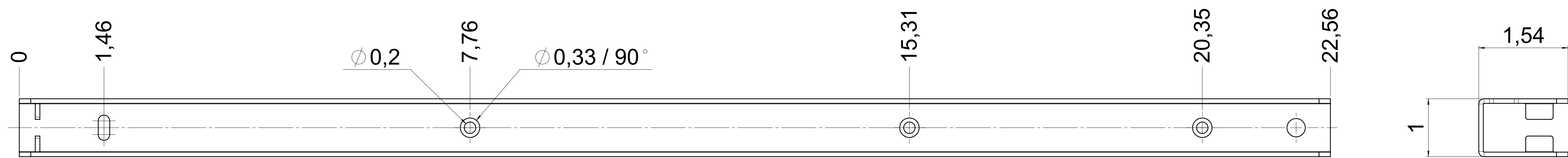


dimensions without coating / maximum coating allowed 0.1mm

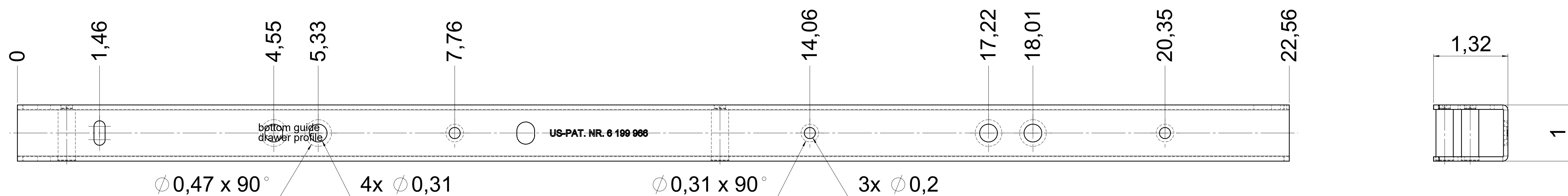
top guide cabinet profile



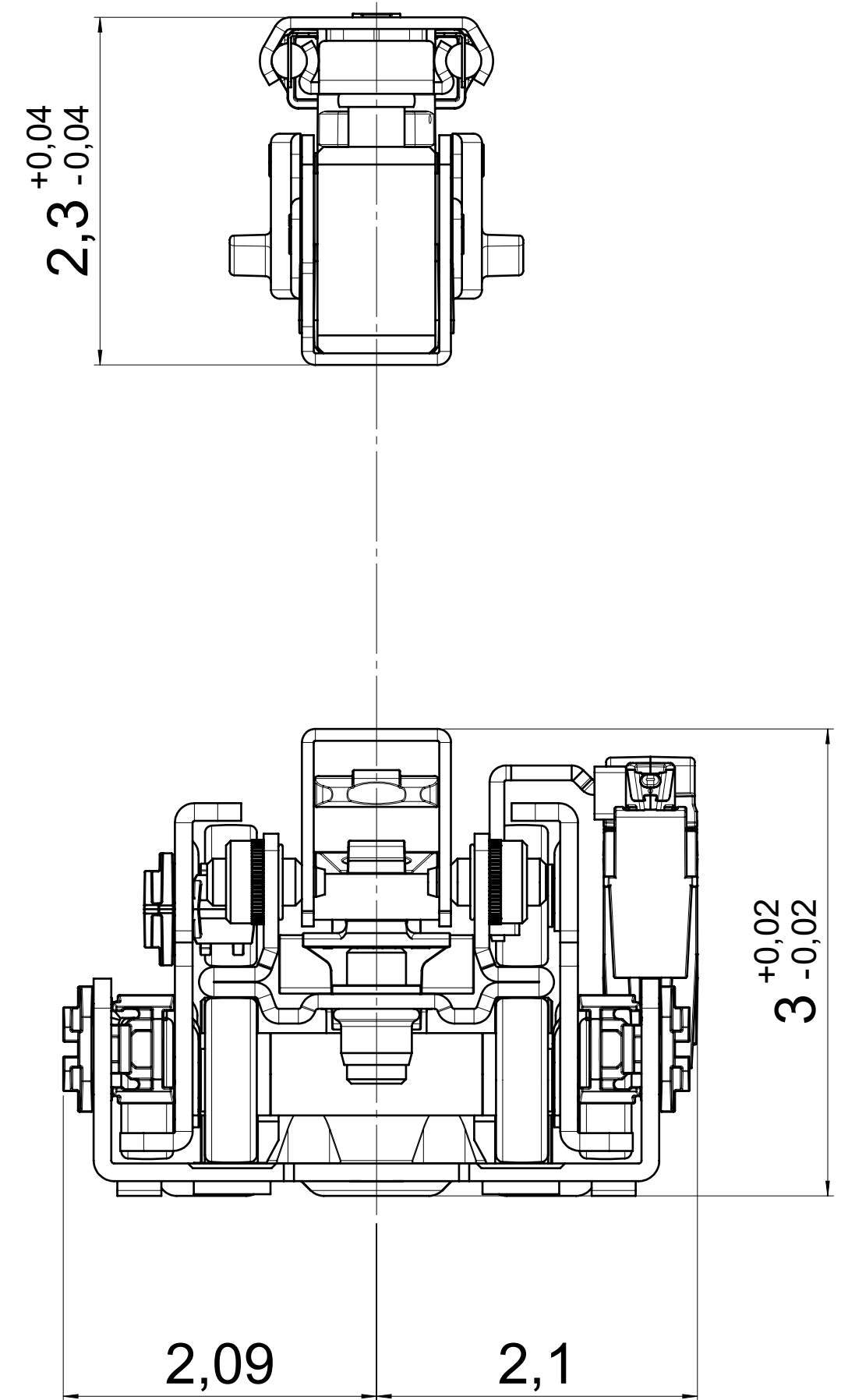
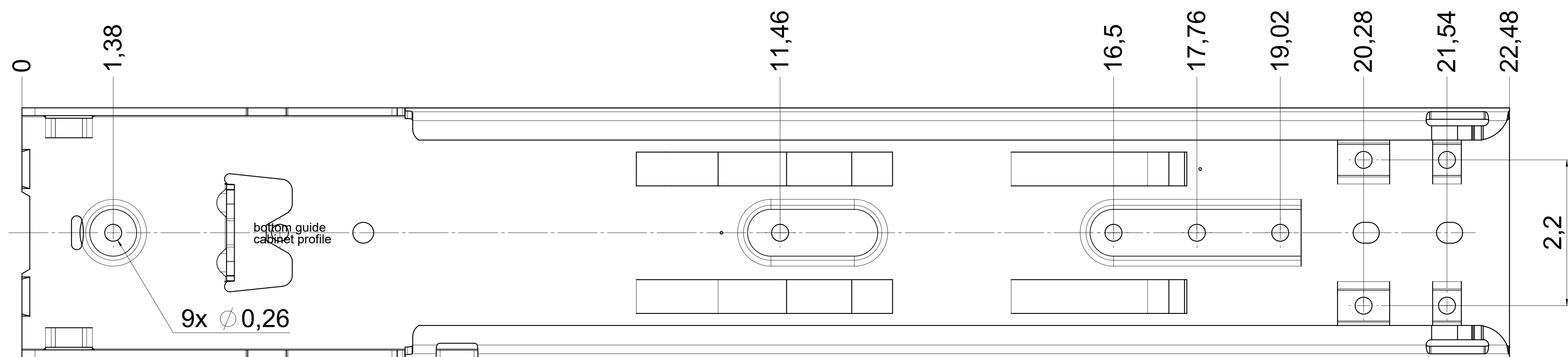
top guide drawer profile



bottom guide drawer profile



bottom guide cabinet profile



final approval

customer name:

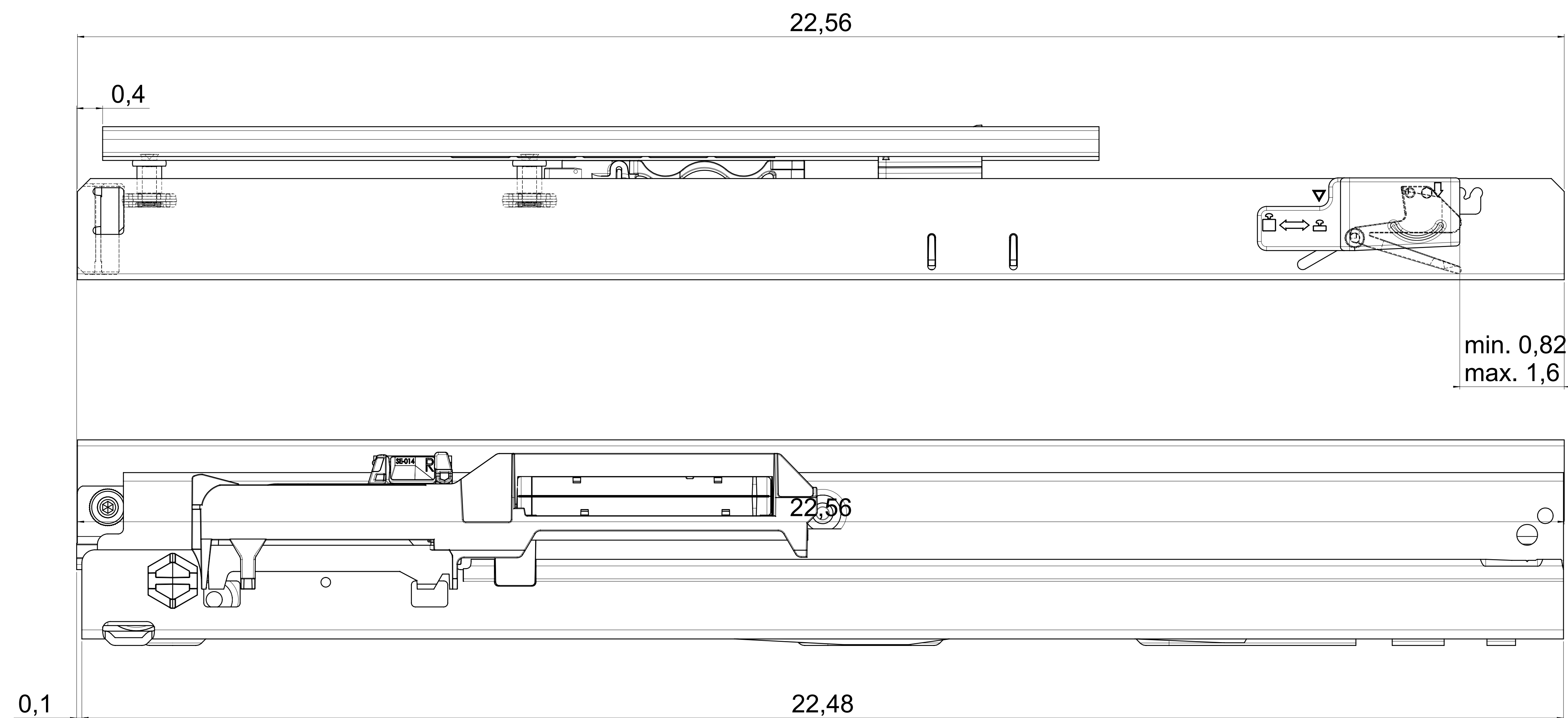
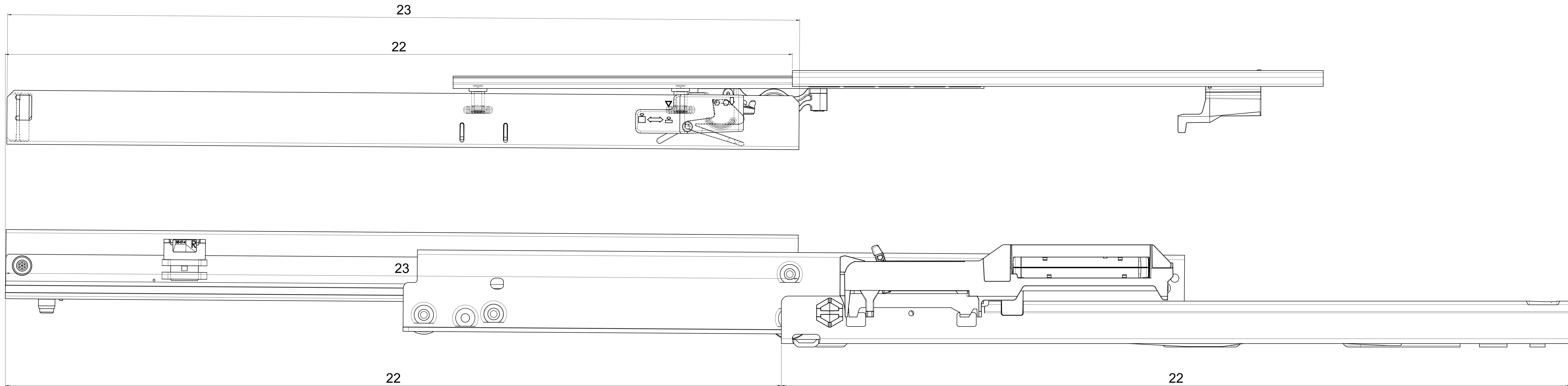
signed by:

date:

<p>all dimensions in inch</p> <p>This drawing remains our property and may not be multiplied neither be disclosed to third parties (§§1,3 and 5 from the copyright Act (UrhG)) covered according to DIN ISO 15015</p>		<p>DIN ISO 128-30 missing dimensions see 3D = theor. intersection</p>	
scale:	1:1	surface:	steel (technical requirements Filterer)
material:	semi finished parts	material:	semi finished parts
drawn:	07-12-2022	name:	GB
proven:	09-09-2020	name:	00
<p>Filterer</p> <p>Filterer AG & Co KG A-6890 Lustenau / Austria C14-8430 St. Margrethen</p>		<p>description: FR 771A / 57.5 EN (inch) progressive-action full-extension drawerslide / bottom mount</p> <p>drawing number: 771A ECD.575-GA.0000 replaces version date:</p>	
changes:	date:	na:	na:
ind:	changes:	date:	na:

dimensions without coating / maximum coating allowed 0.1mm

X



final approval

customer name: _____

signed by: _____

date: _____

page 2 of 2 ⚠ = check dimension , next free check number ⚠

all dimensions in inch

This drawing remains our property and may not be multiplied neither be disclosed to third parties (§§1,3 and 5 from the copyright Act (UrhG)) covered according to DIN ISO 16016

scale:	1:1	surface:	steel
material:	semi finished parts	material:	steel
description:	FR 771A / 57,5 EN (inch)	description:	progressive-action full-extension drawerslide / bottom mount
drawing number:	771A ECD.575-GA.0000	drawing number:	771A ECD.575-GA.0000
replaces version date:		replaces version date:	

Filterer AG & Co KG
A-6800 Lustenau / Austria
CH-8430 St. Margrethen

Monday, 16. Januar 2023 10:53:46