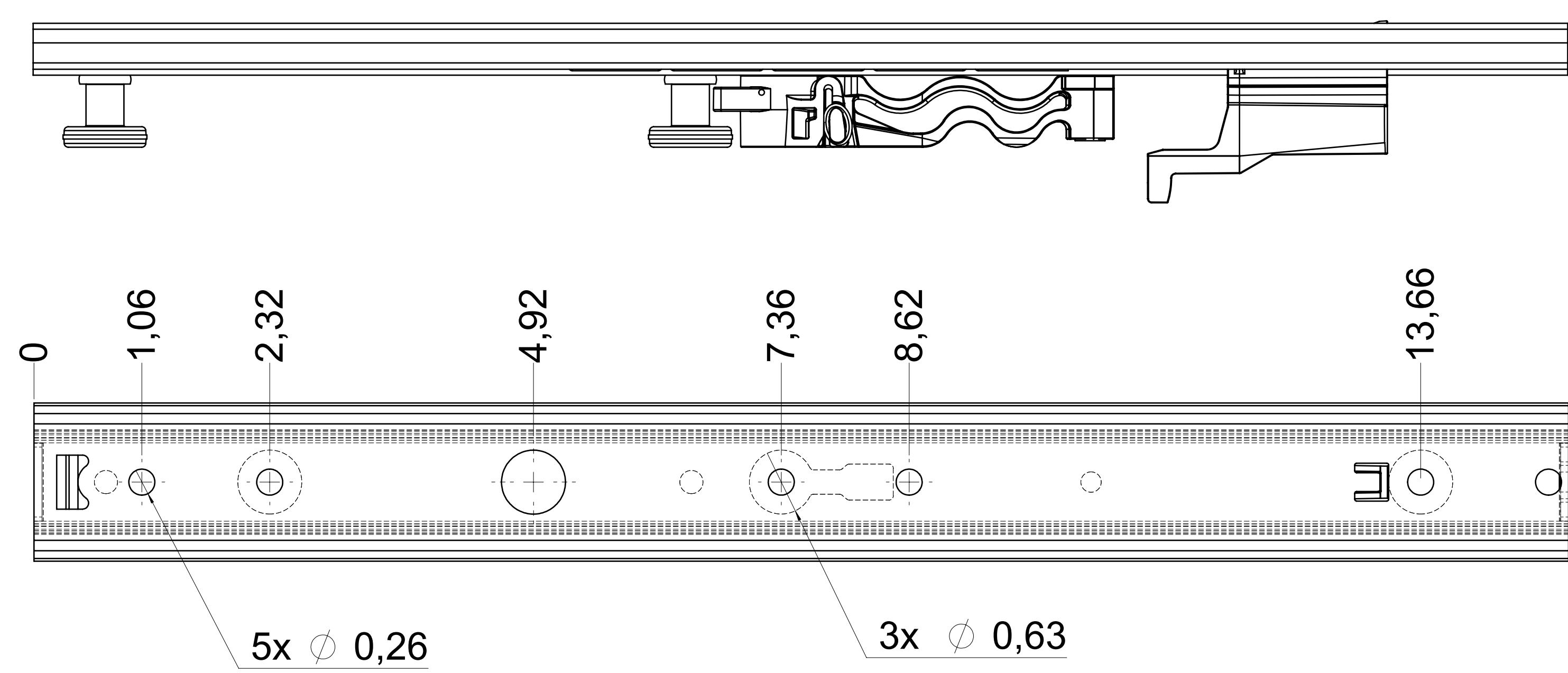


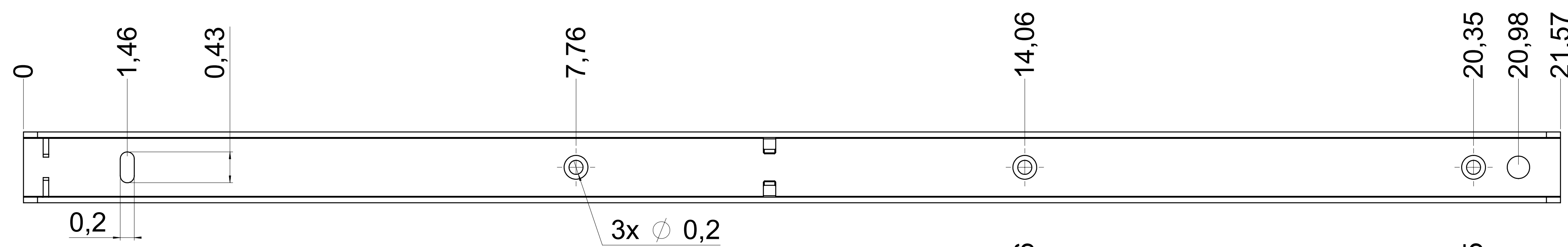
dimensions without coating / maximum coating allowed 0.1mm

X

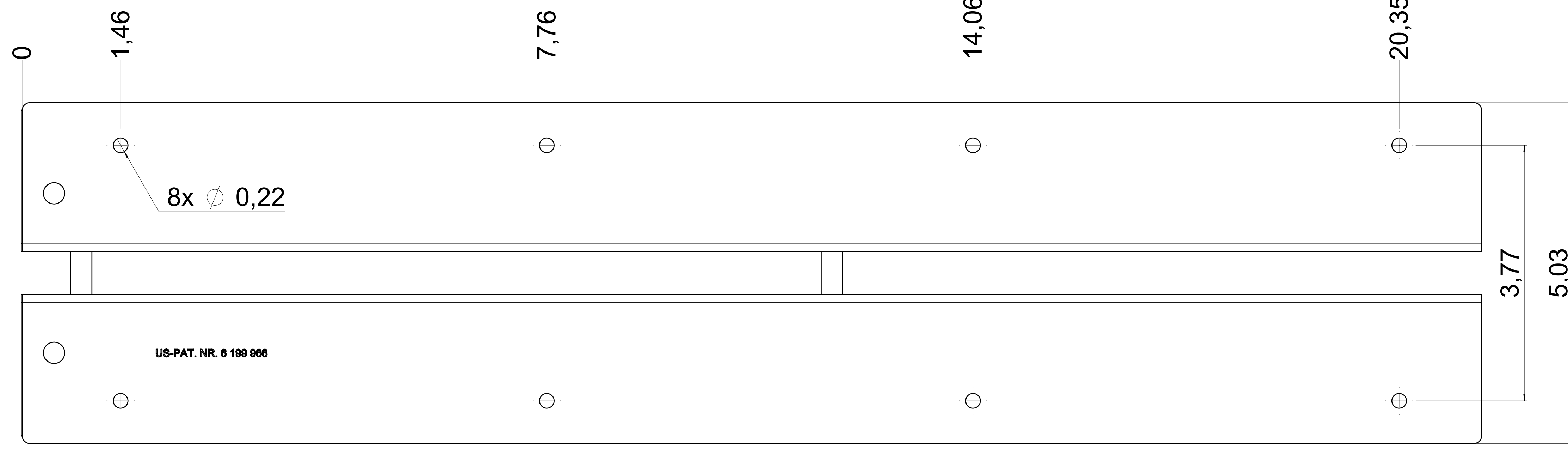
top guide cabinet profile



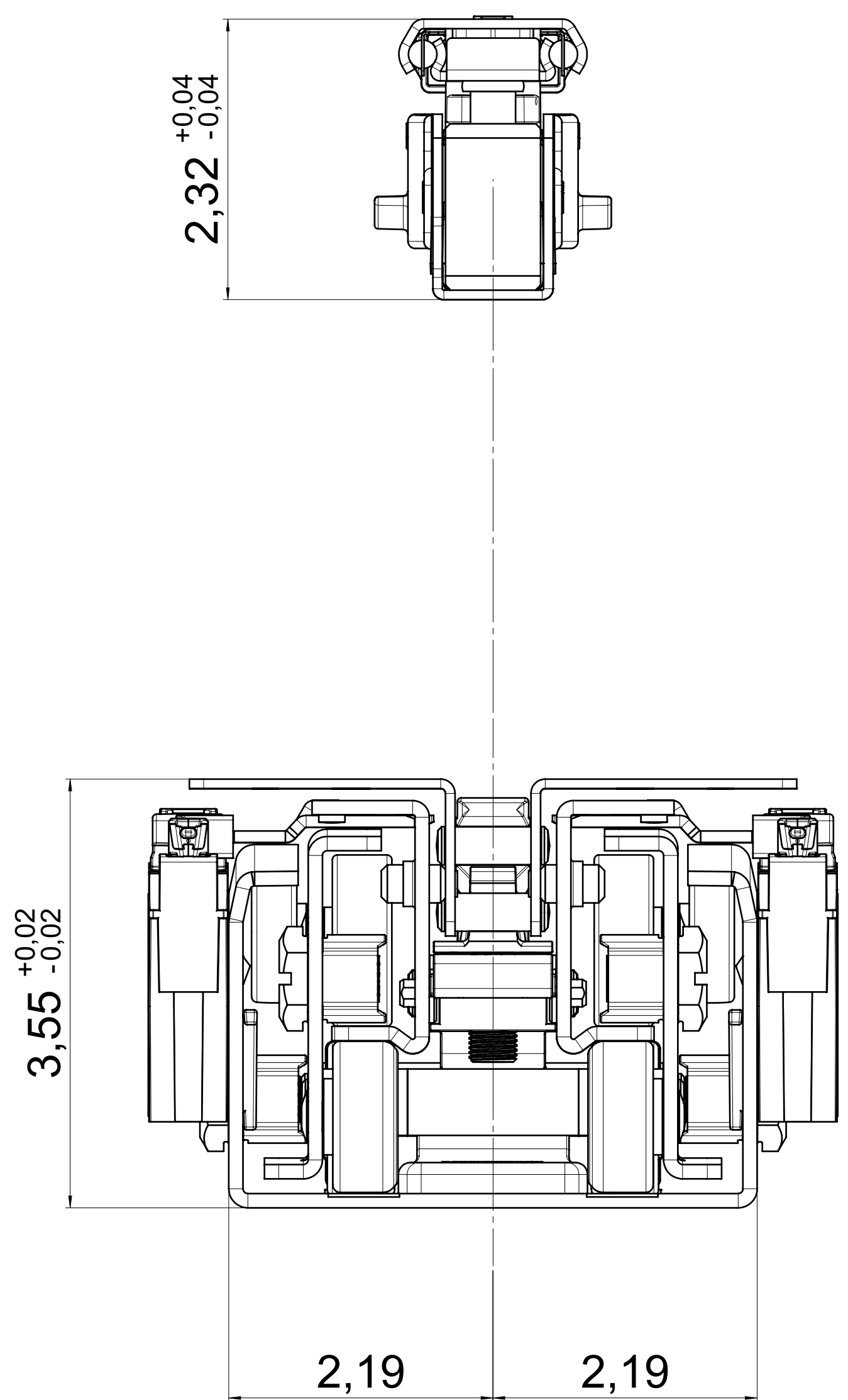
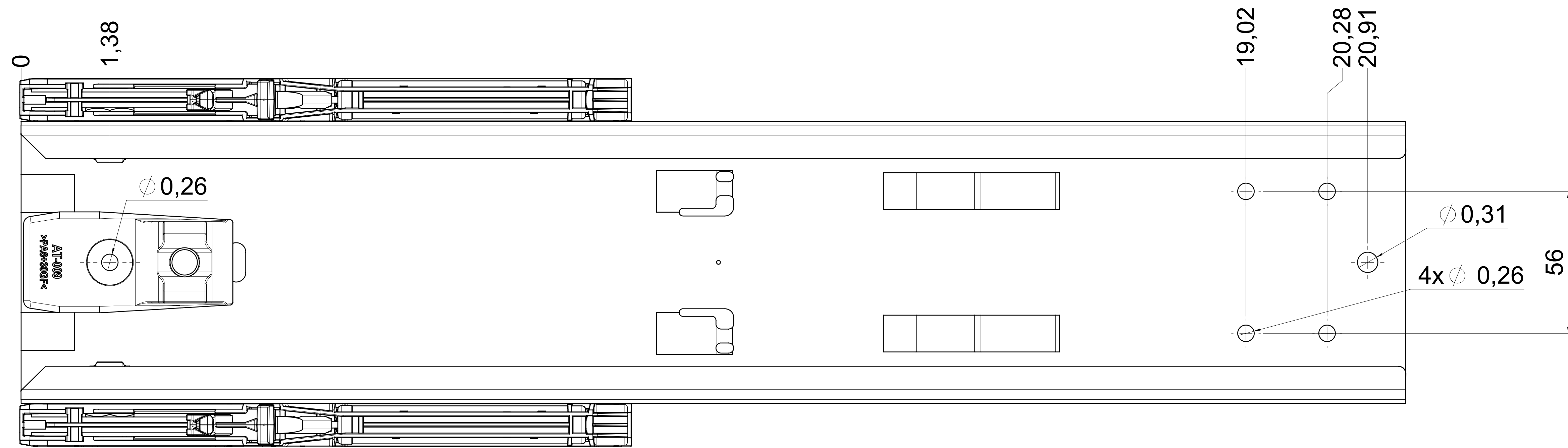
top guide drawer profile



bottom guide drawer profile



bottom guide cabinet profile



final approval

customer name:

signed by:

date:

page 1 of 2 ⚠ = check dimension, next free check number ⚠

all dimensions in inch

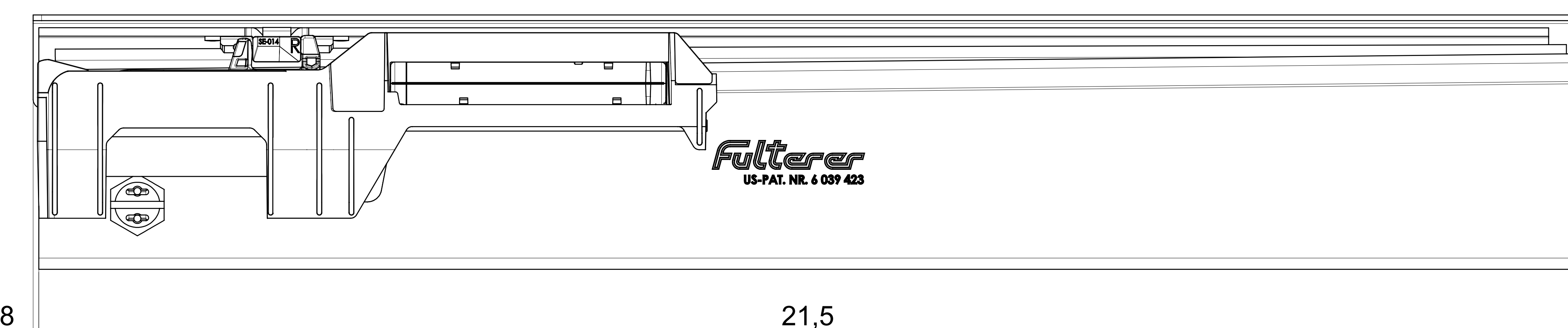
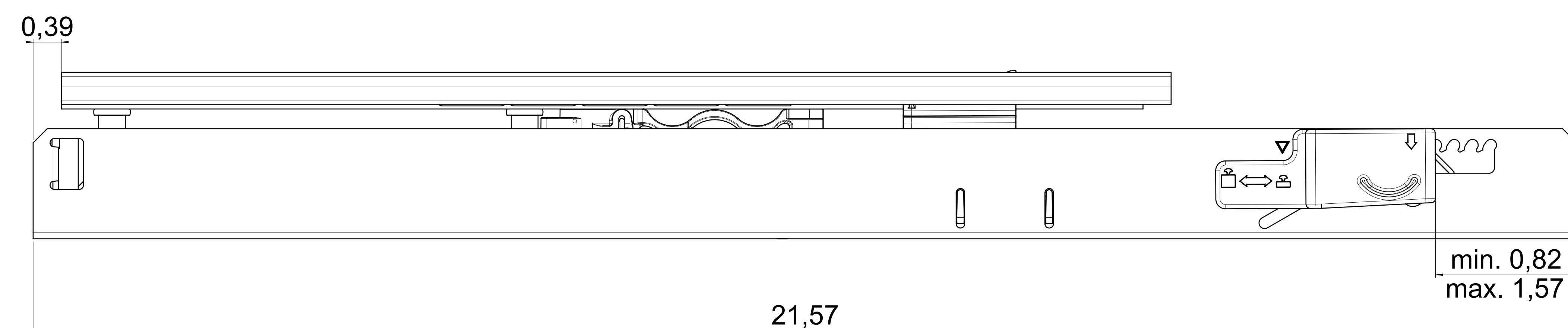
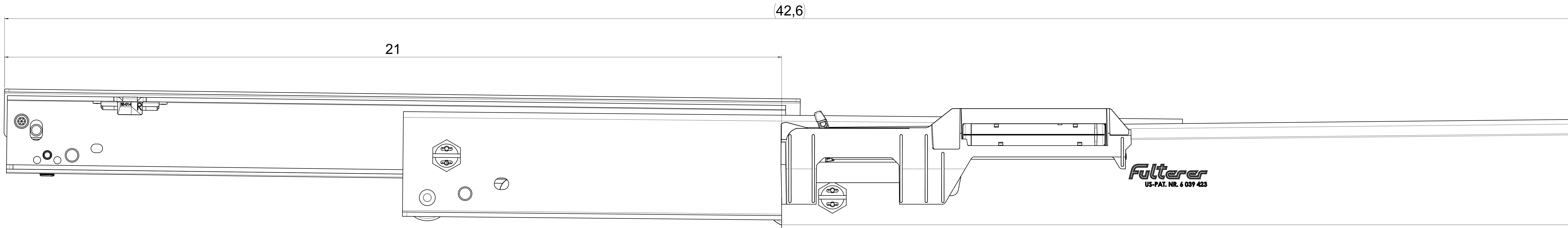
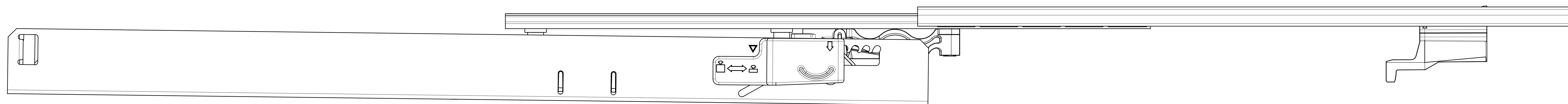
This drawing remains our property and may not be disclosed to third parties (§§1,3 and 5 from the copyright Act (UrhG)). covered according to DIN ISO 15015

scale:	1:1	surface:	steel	material:	semi finished parts
drawn:	21-11-2022	name:	GB	(technical requirements Fulterer)	AO
proven:	00-00-0000	description:	FR 777A / 55 EN (inch) progressive-action full-extension drawerside / bottom mount		
			drawing number:	777A.550-GA.0000	
<small>Fulterer AG & Co KG A-6800 Lustenau / Austria C14-8430 St. Margarethen</small>			replaces version:	G816	

changes date na. created: 01. januar 2023 13:44:24 in: koch

dimensions without coating / maximum coating allowed 0.1mm

X



final approval

customer name:

signed by:

date:

all dimensions in inch

DIN ISO 128-30
missing dimensions see 3D
= theor. intersection

This drawing remains our property and may not be multiplied neither be disclosed to third parties (§§1,3 and 5 from the copyright Act (UrHG)) covered according to DIN ISO 15015

scale:	1:1	surface:	steel (technical requirements Filterer)	material:	semi finished parts	AO
drawn	21.11.2022	date	GB	name	description:	
proven	00-00-0000	date	00	name	FR 777A / 55 EN (inch)	
					progressive-action full-extension	
					drawerslide / bottom mount	
					drawing number:	
					777A.550-GA.0000	
					replaces version GB16:	

Filterer AG & Co KG
A-6800 Lustenau / Austria
C14-8430 St. Margarethen
replaces version GB16:

changes date na.

Created: 21. August 2023 12:44:24
inhaber@filterer