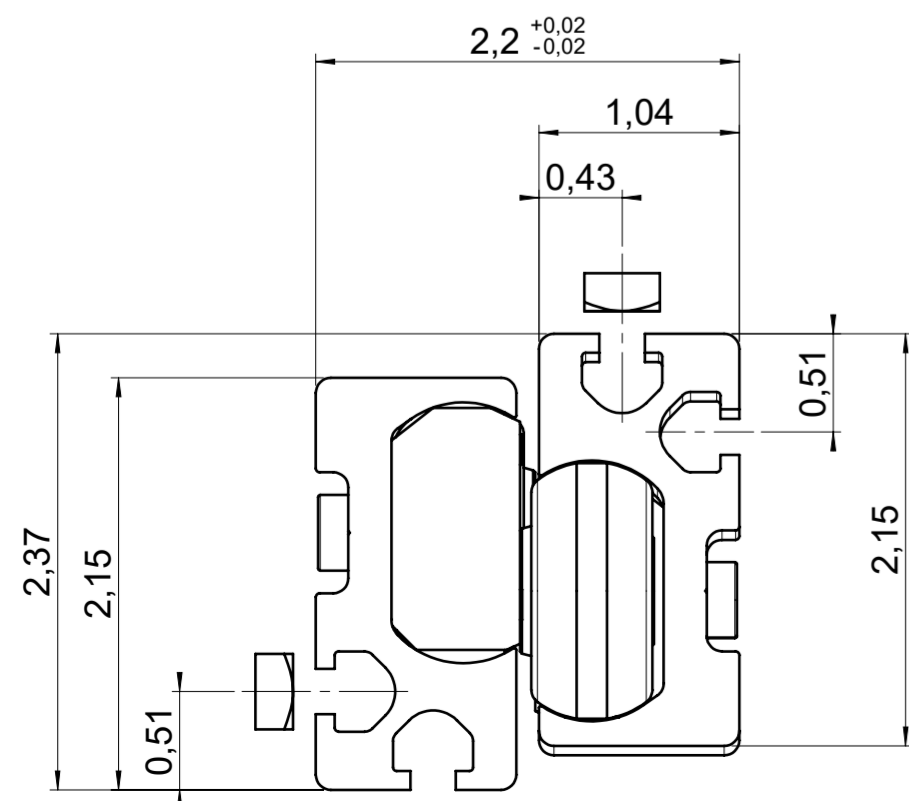
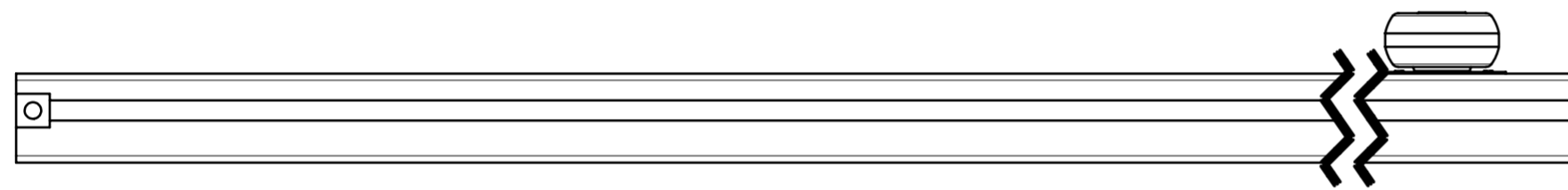
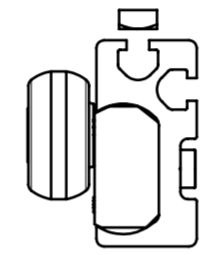
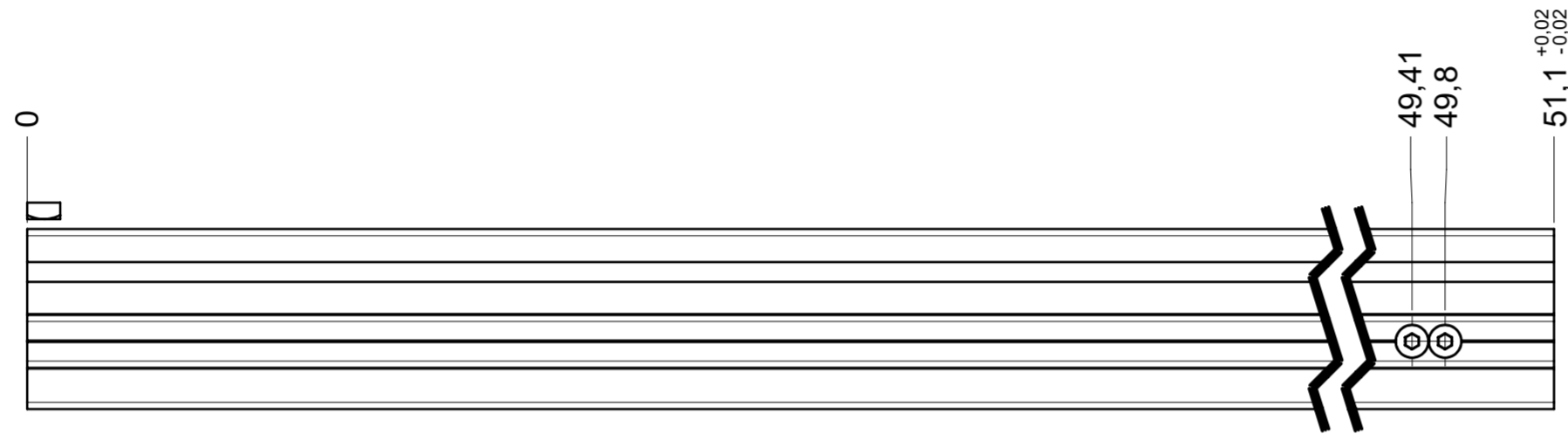
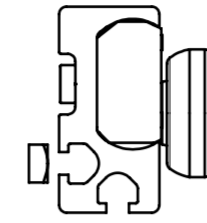


drawn left



**final approval**

customer name:

signed by:

date:

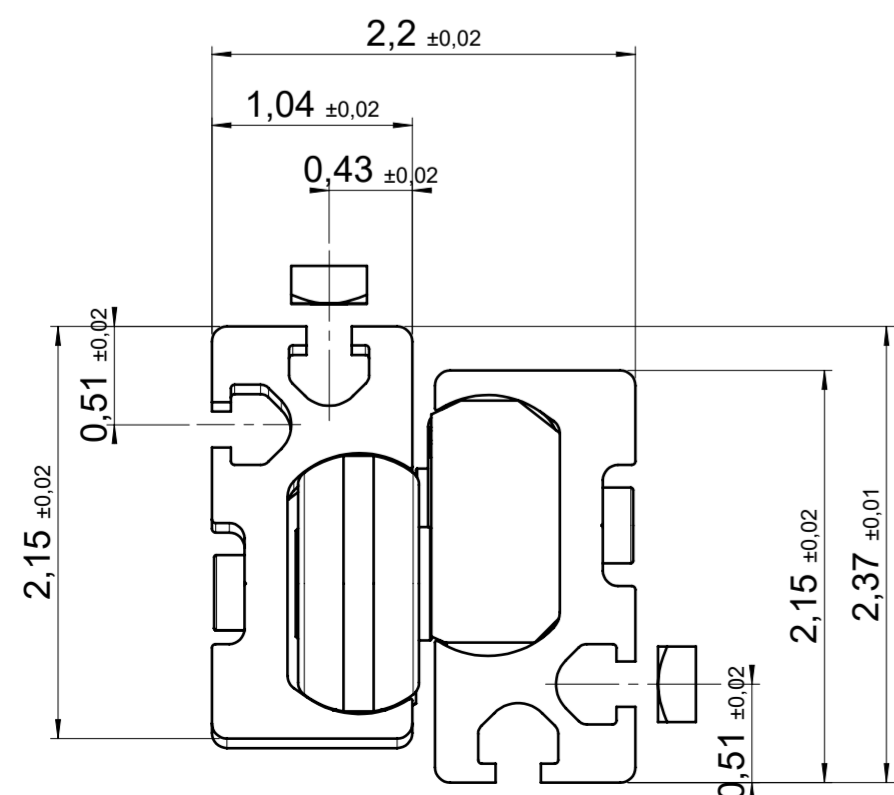
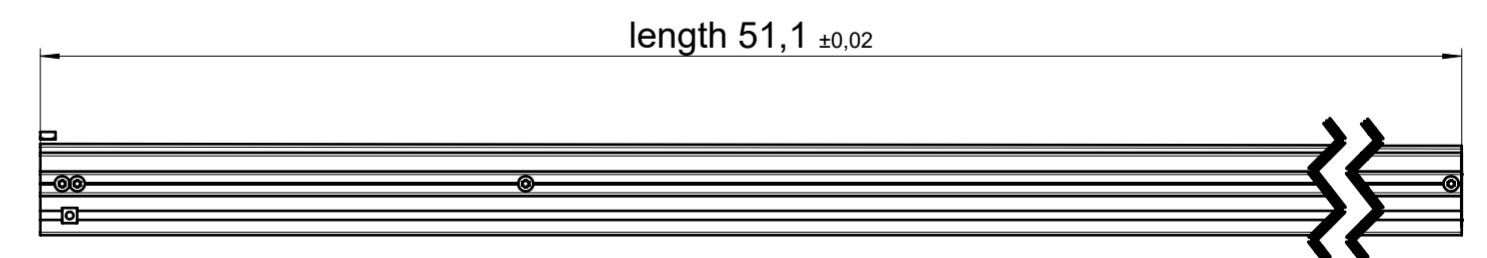
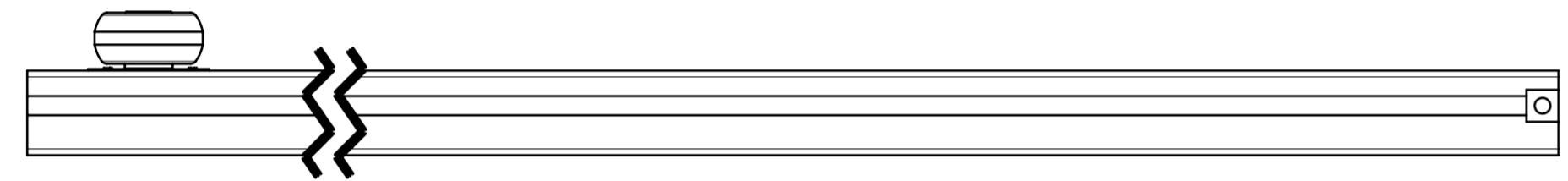
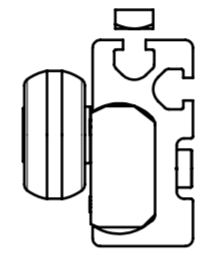
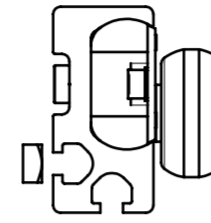
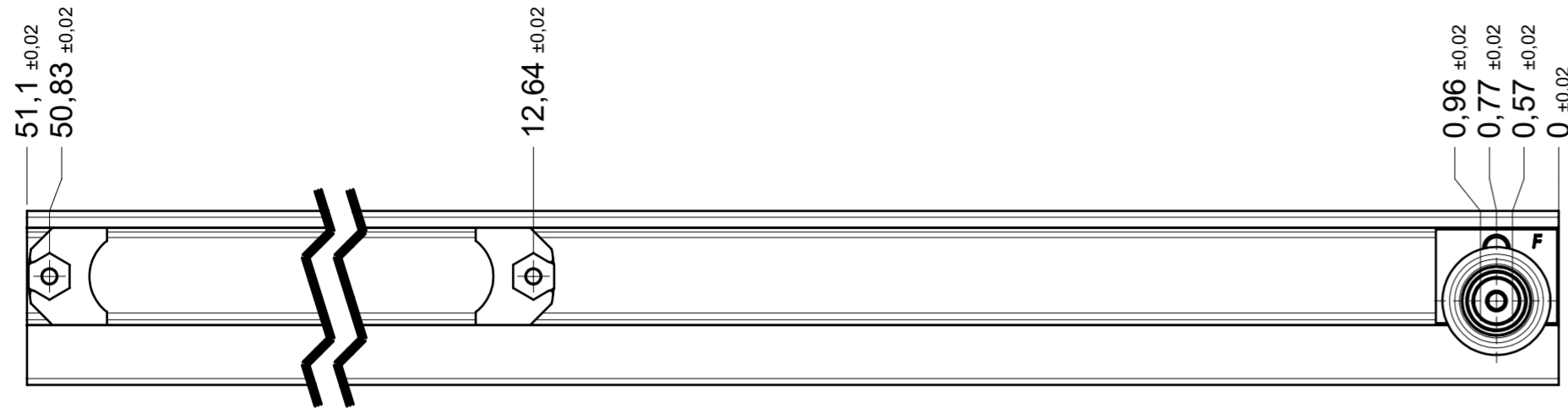
**all dimensions in inch**

DIN ISO 128-30  
missing dimensions see 3D  
= theor. intersection

This drawing remains our property and may not be multiplied neither be disclosed to third parties (§§1,3 and 5 from the copyright Act (UrhG)) covered according to DIN ISO 16016

scale: 1:2		surface:		material, semi finished parts: CS (technical requirements Fulterer)	A2
drawn	date	name	ex	description: FR 9000 / 130 EN (inch) progressive-action full-extension drawerslide / side mount	
proven	01-03-2023	pr		drawing number: 9000.1300-GA.0000.li	
				replaces version date:	
ind.	changes	date	na.		

drawn right



**final approval**

customer name:

signed by:

date:

**all dimensions in inch**

DIN ISO 128-30  
missing dimensions see 3D  
= theor. intersection

This drawing remains our property and may not be multiplied neither be disclosed to third parties (§§1,3 and 5 from the copyright Act (UrhG)) covered according to DIN ISO 16016				scale:	surface:	material, semi finished parts:	A2
(k)				1:2		CS	
(l)				drawn	date	name	(technical requirements Fulterer)
(i)				01-02-2023	01-02-2023	ex	
(h)				proven	01-03-2023	pr	
(g)						description:	
(f)			FR 9000 / 130 EN (inch)			progressive-action full-extension drawerslide / side mount	
(e)				<b>Fulterer AG &amp; Co KG</b> A-6890 Lustenau / Austria		drawing number:	
(d)			9000.1300-GA.0000.re			replaces version date:	
(c)				<b>Fulterer AG</b> CH-9430 St. Margrethen			
(b)							
(a)							
ind.	changes	date	na.				