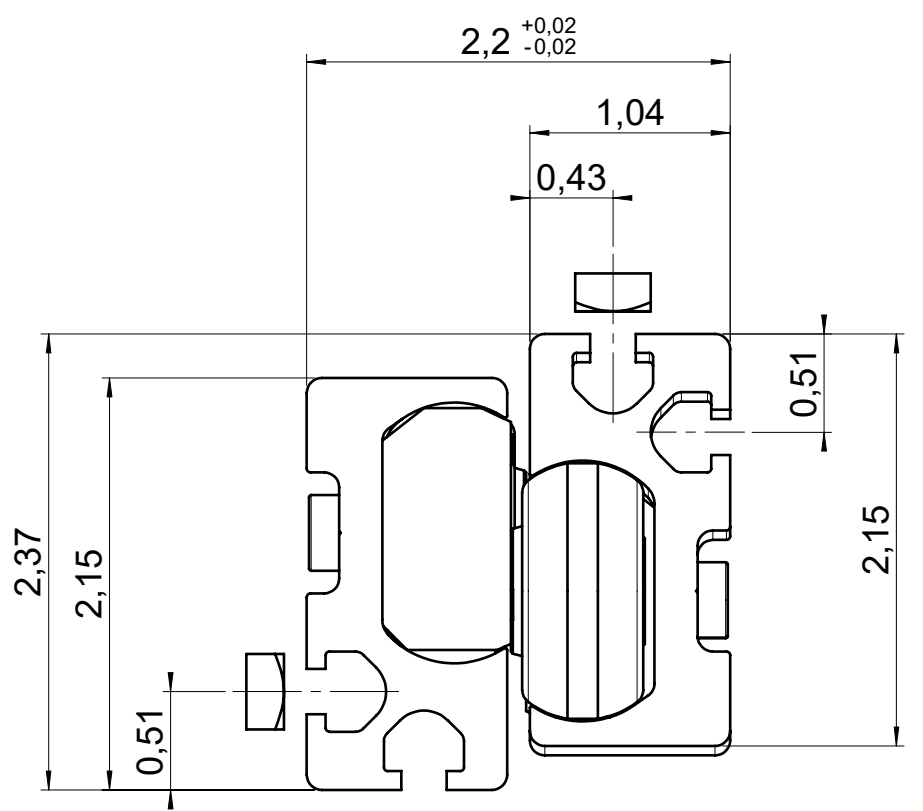
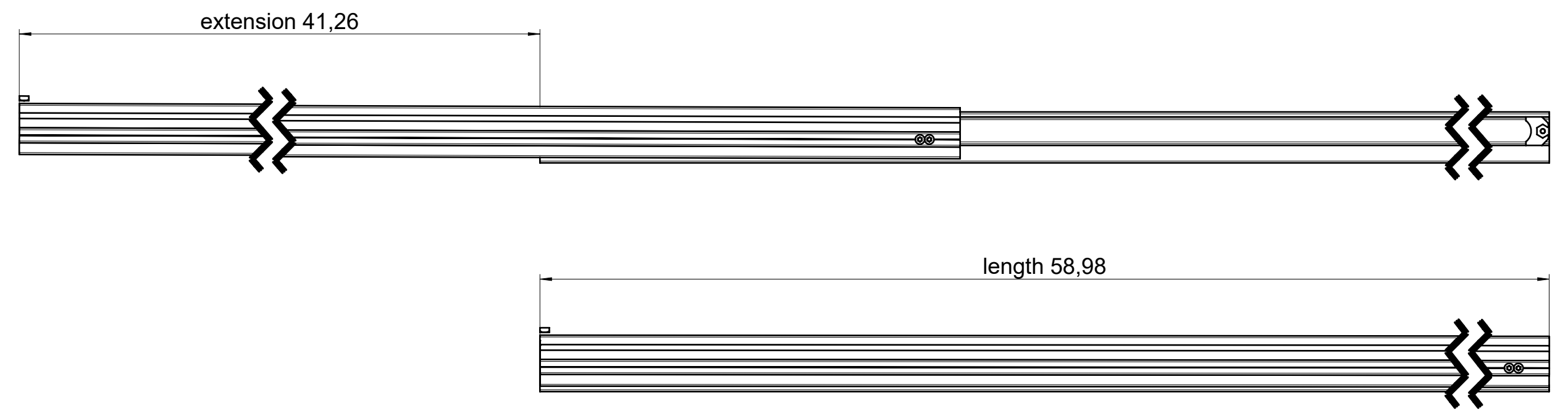
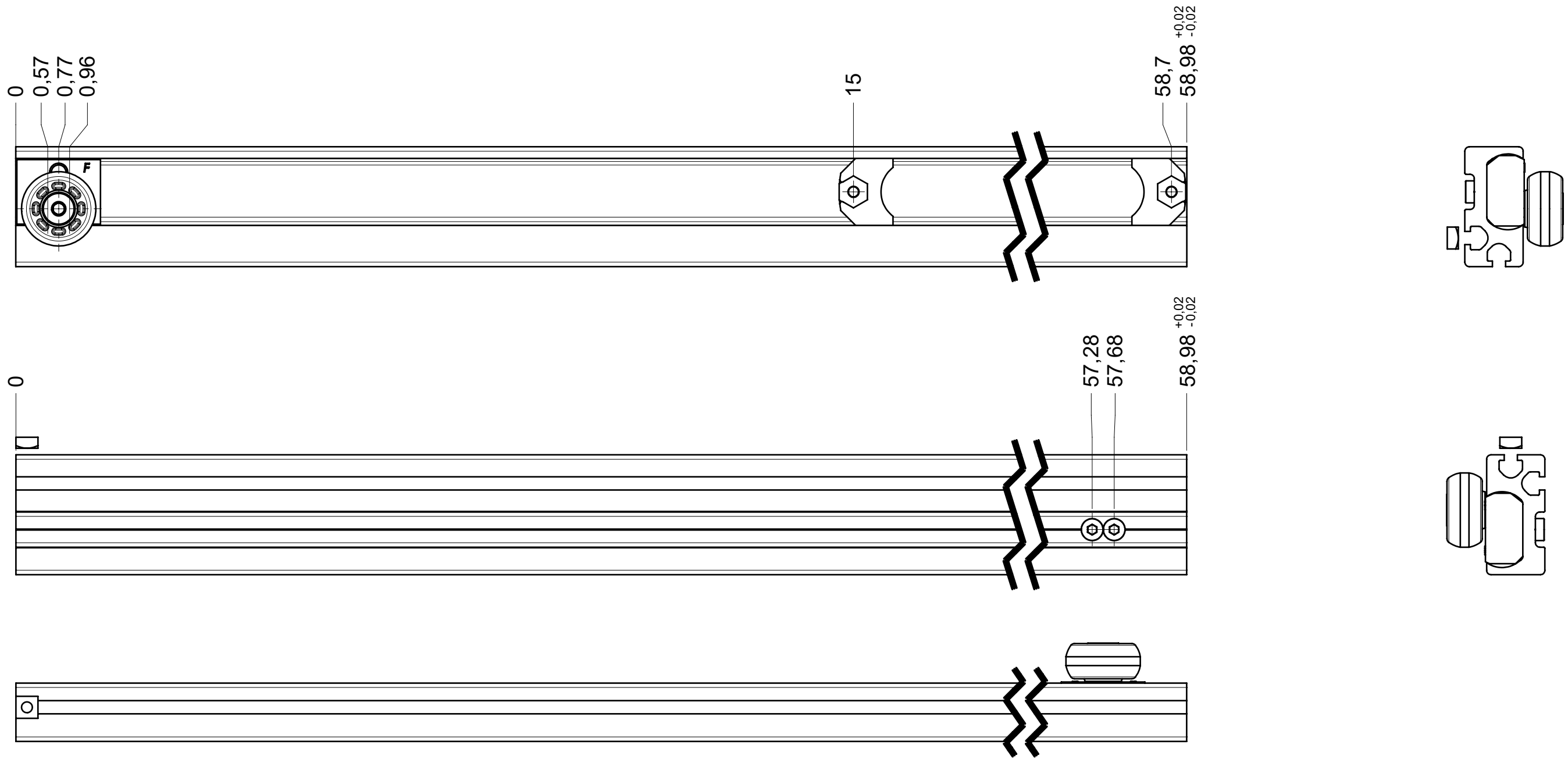


drawn left



**final approval**

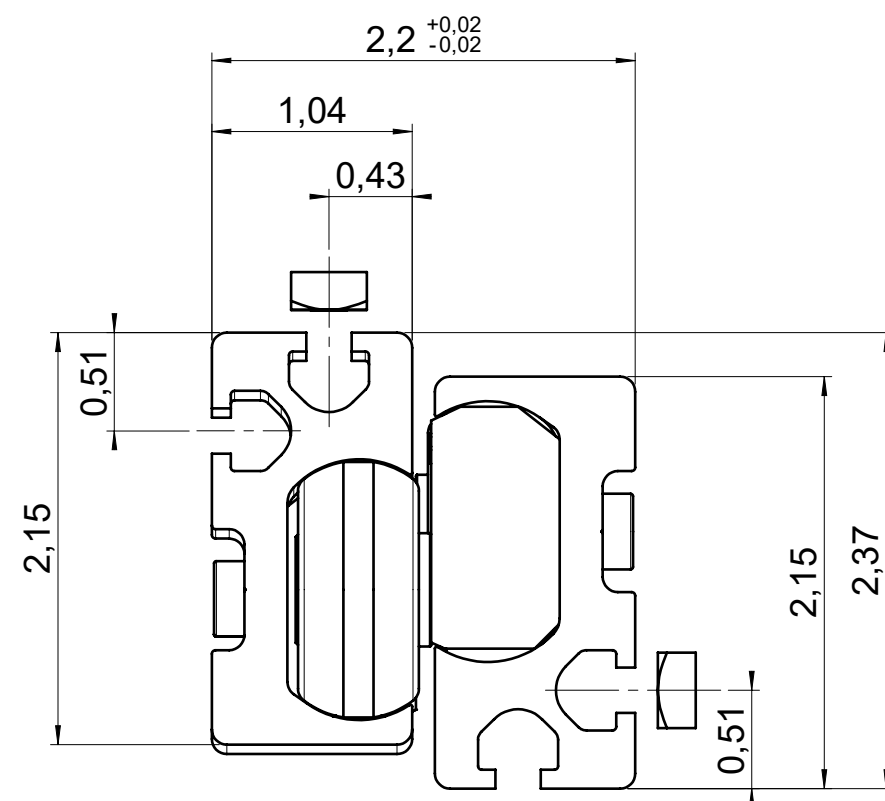
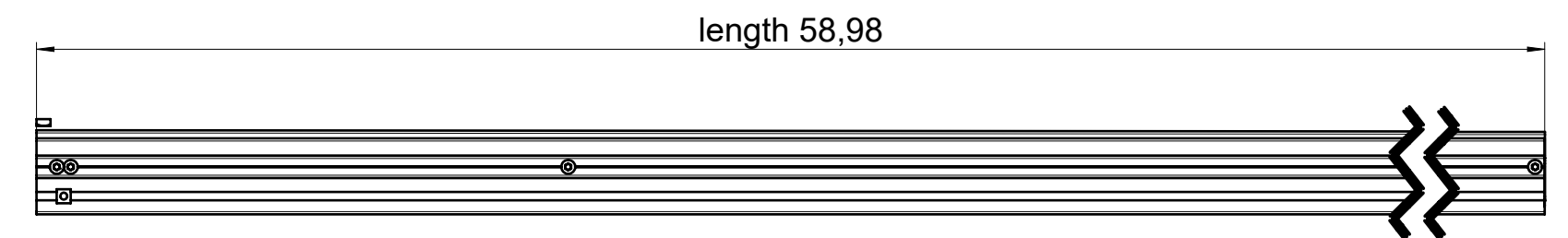
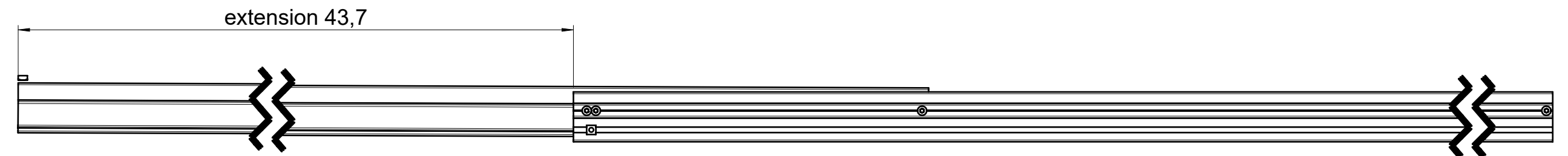
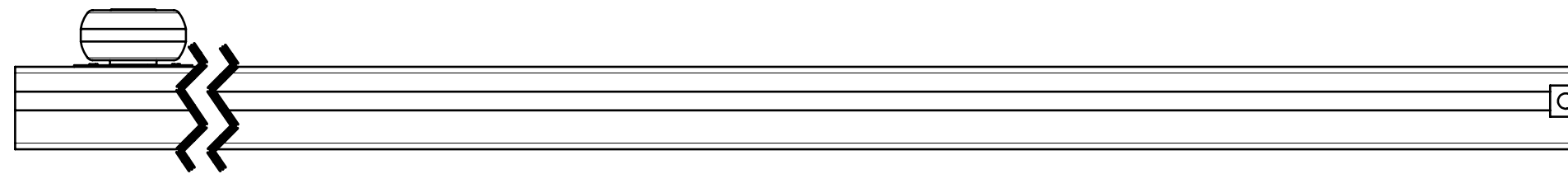
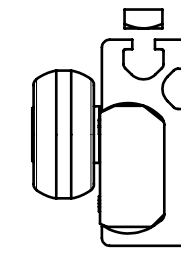
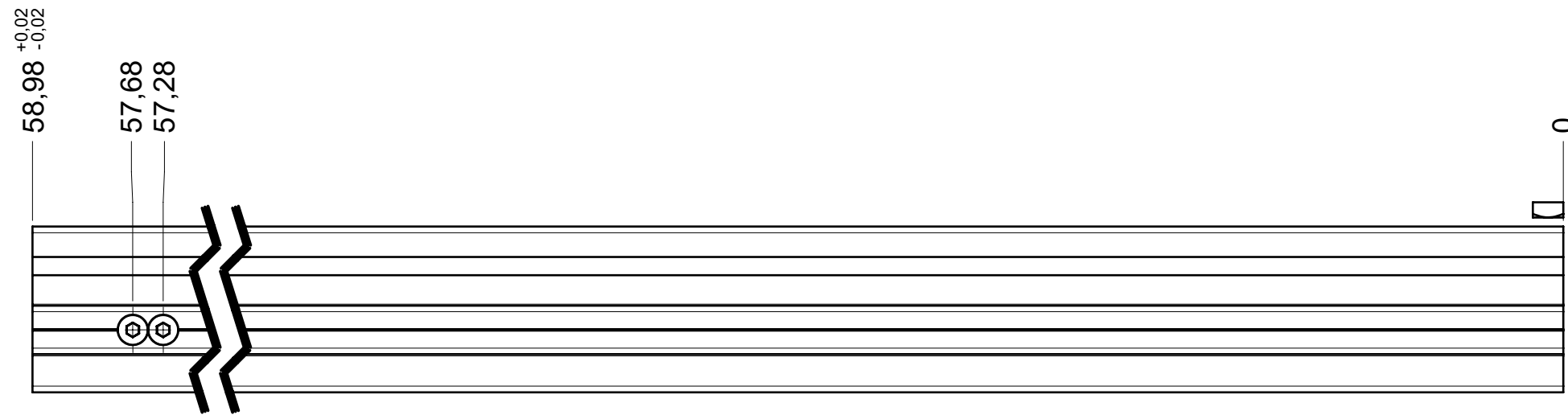
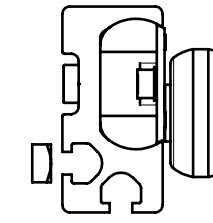
customer name:

signed by:

date:

<b>all dimensions in inch</b>				DIN ISO 128-30 missing dimensions see 3D = theor. intersection	
This drawing remains our property and may not be multiplied neither be disclosed to third parties (§§1,3 and 5 from the copyright Act (UrhG)) covered according to DIN ISO 16016					
scale: 1:2		surface:		material, semi finished parts: CS (technical requirements Fulterer)	
drawn 01-02-2023		date 01-02-2023		name ex	
proven 01-03-2023		date 01-03-2023		name pr	
<b>Fulterer</b>				description: FR 9000 / 150 EN (inch) progressive-action full-extension drawerslide / side mount	
				drawing number: 9000.1500-GA.0000.li	
Fulterer AG & Co KG A-6890 Lustenau / Austria				replaces version date:	
Fulterer AG CH-9430 St. Margrethen					
ind.	changes	date	na.		

drawn right



**final approval**

customer name:

signed by:

date:

**all dimensions in inch**

DIN ISO 128-30  
missing dimensions see 3D  
= theor. intersection

This drawing remains our property and may not be multiplied neither be disclosed to third parties (§§1,3 and 5 from the copyright Act (UrhG)) covered according to DIN ISO 16016				scale:	surface:	material, semi finished parts:	A2
(k)				1:2		CS	
(l)				date	name	(technical requirements Fulterer)	
(h)				drawn 01-02-2023	ex	description: FR 9000 / 150 EN (inch) progressive-action full-extension drawerslide / side mount	
(g)				proven 01-03-2023	pr		
(f)						drawing number: <b>9000.1500-GA.0000.re</b>	
(e)							
(d)				Fulterer AG & Co KG A-6890 Lustenau / Austria		replaces version date:	
(c)				Fulterer AG CH-9430 St. Margrethen			
(b)				ind.	changes	date	na.
(a)							