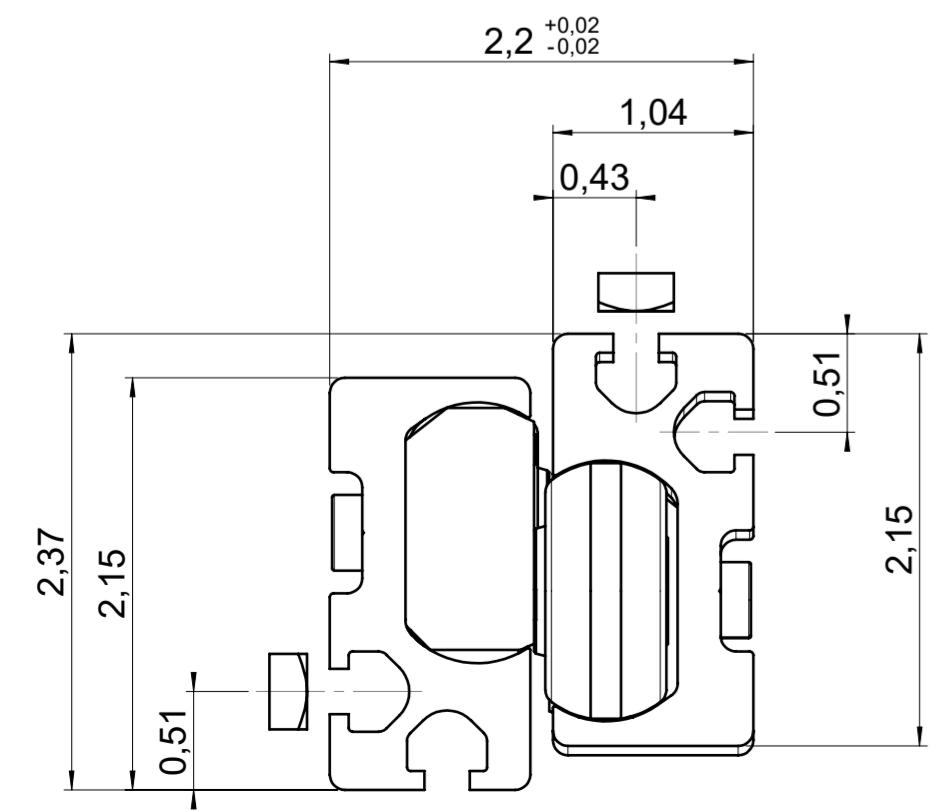
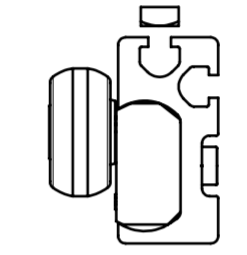
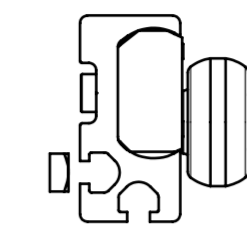
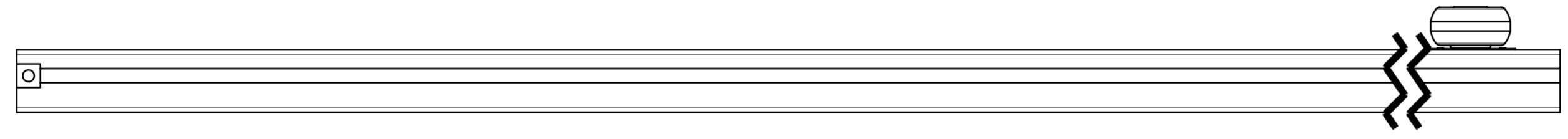
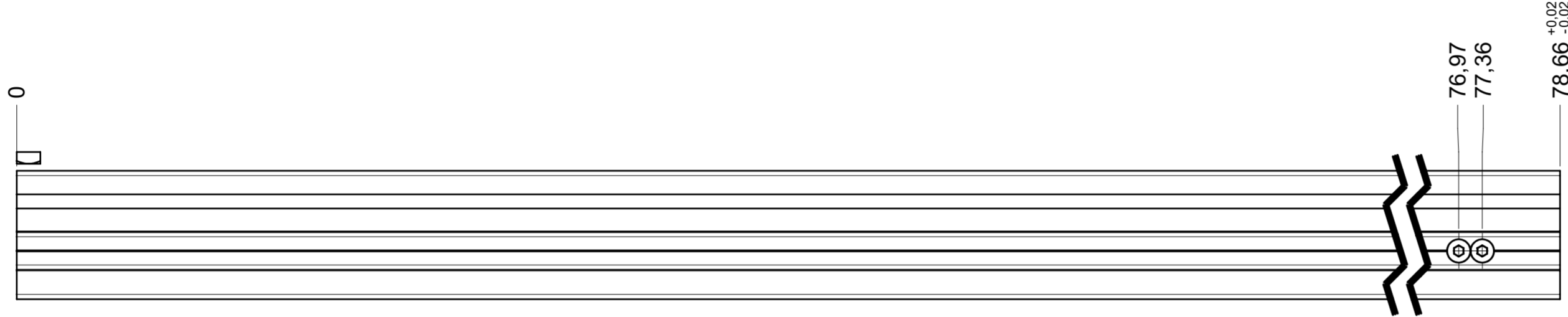
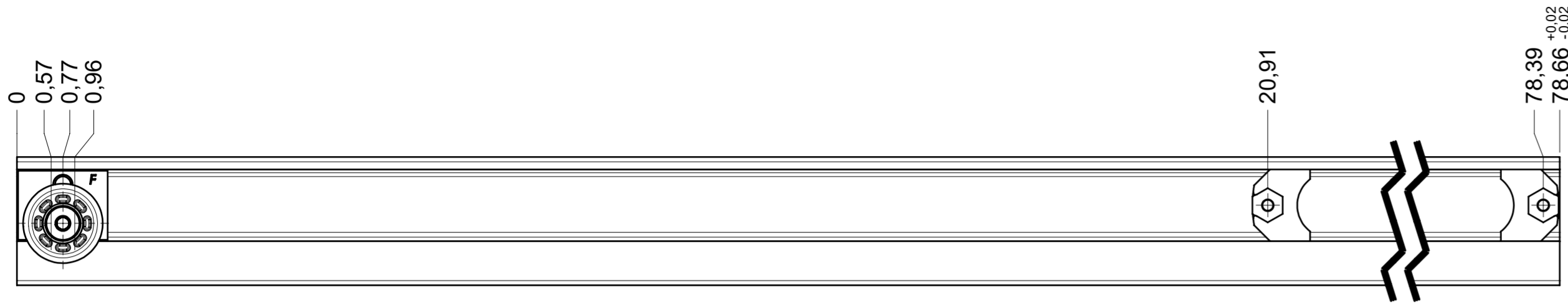


drawn left



final approval

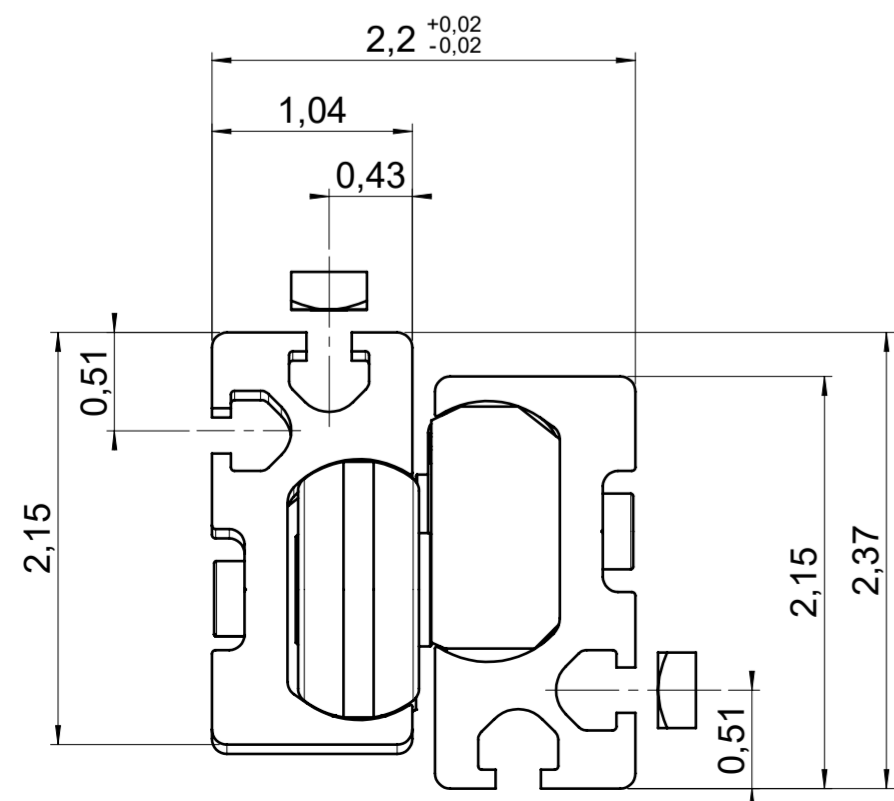
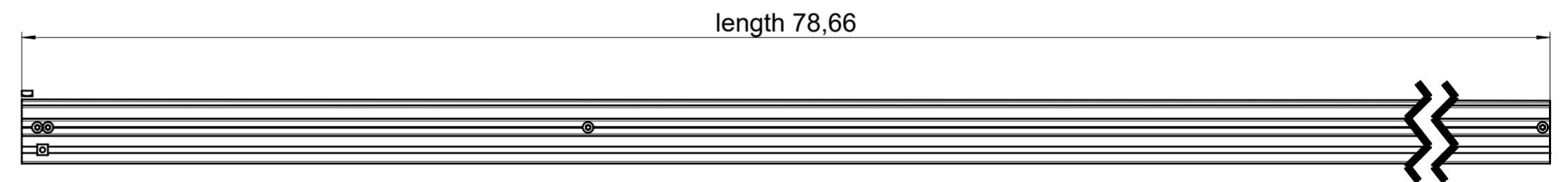
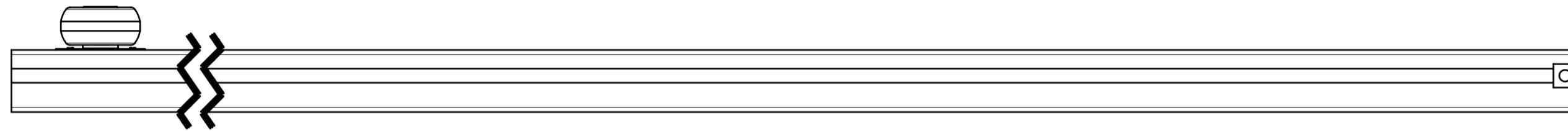
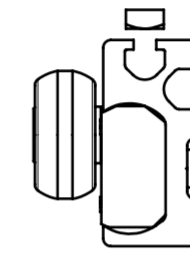
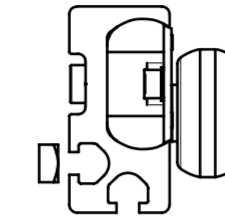
customer name:

signed by:

date:

all dimensions in inch				DIN ISO 128-30 missing dimensions see 3D = theor. intersection	
This drawing remains our property and may not be multiplied neither be disclosed to third parties (§§1,3 and 5 from the copyright Act (UrhG)) covered according to DIN ISO 16016					
scale: 1:2		surface:		material, semi finished parts: CS (technical requirements Fulterer)	
drawn	01-02-2023	date	name	description: FR 9000 / 200 EN (inch) progressive-action full-extension drawerslide / side mount	
proven	01-03-2023	pr	pr	drawing number: 9000.2000-GA.0000.li	
				replaces version date:	
ind.	changes	date	na.		

drawn right



final approval

customer name:

signed by:

date:

all dimensions in inch

DIN ISO 128-30
missing dimensions see 3D
= theor. intersection

This drawing remains our property and may not be multiplied neither be disclosed to third parties (§§1,3 and 5 from the copyright Act (UrhG)) covered according to DIN ISO 16016				scale:	surface:	material, semi finished parts:	A2
(k)				1:2		CS	
(l)				drawn	date	name	(technical requirements Fulterer)
(h)				01-02-2023	ex		
(g)				proven	01-03-2023	pr	
(f)						description:	
(e)			FR 9000 / 200 EN (inch)				
(d)			progressive-action full-extension				
(c)			drawerslide / side mount				
(b)			drawing number:				
(a)				9000.2000-GA.0000.re			
ind.	changes	date	na.	Fulterer AG & Co KG A-6890 Lustenau / Austria Fulterer AG CH-9430 St. Margrethen		replaces version date:	