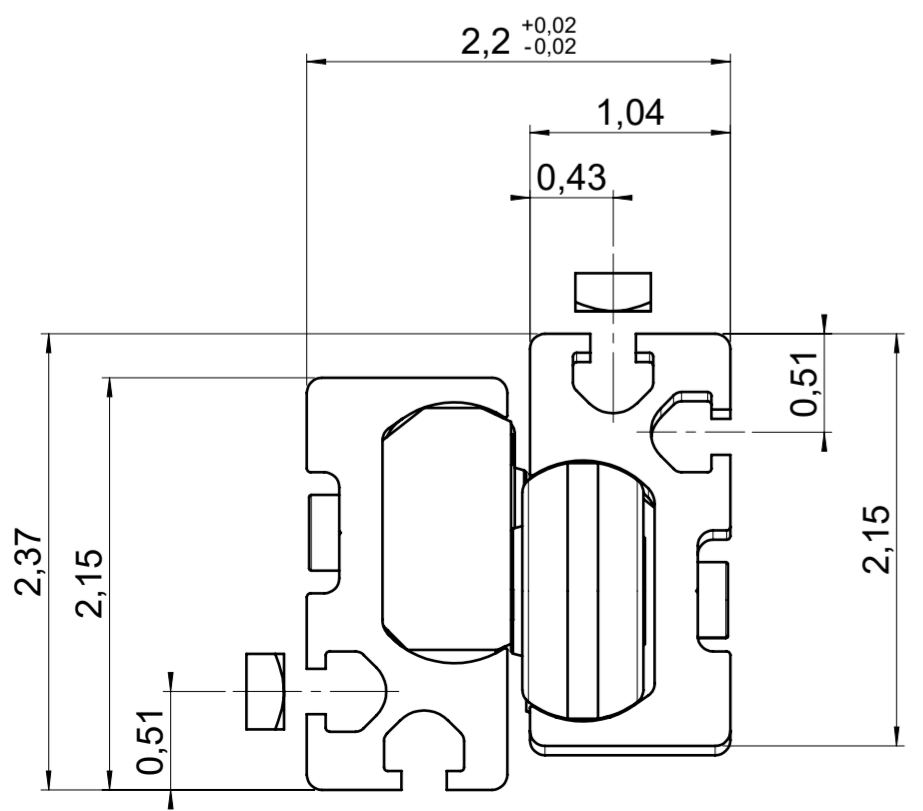
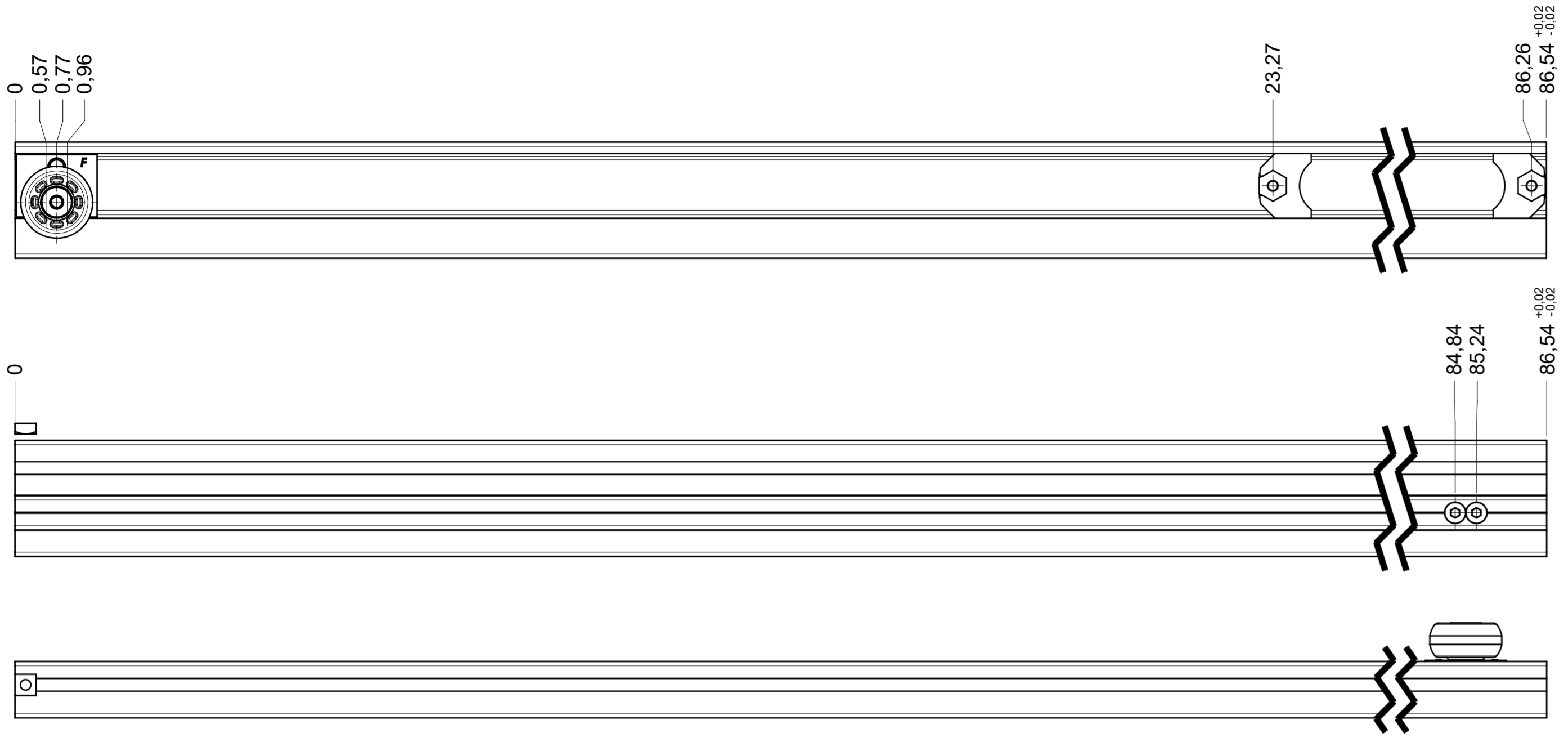


drawn left



**final approval**

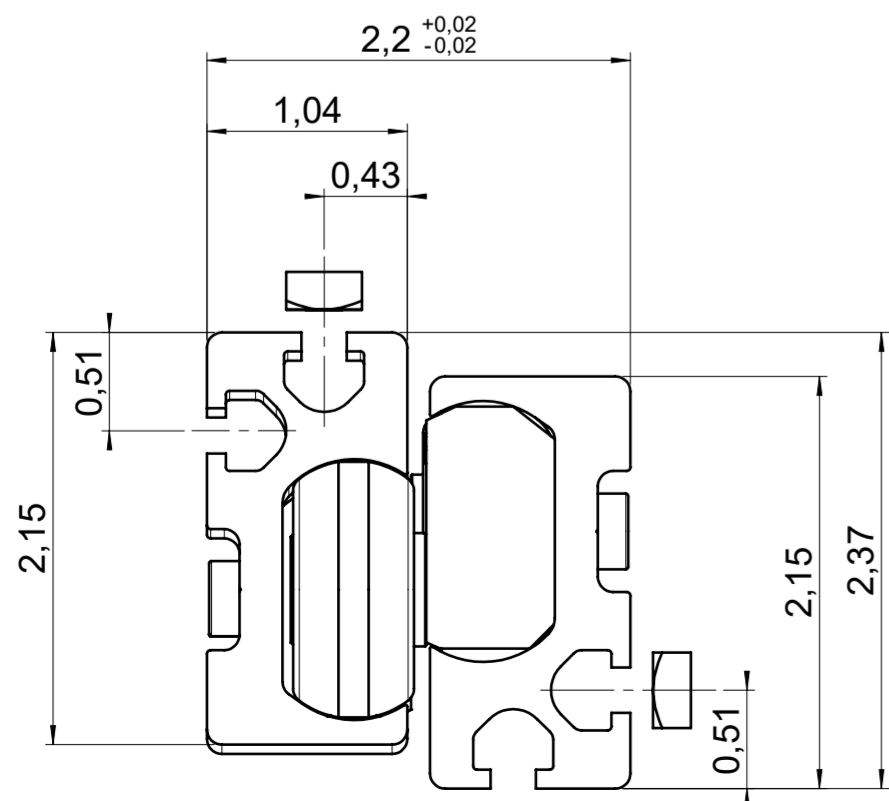
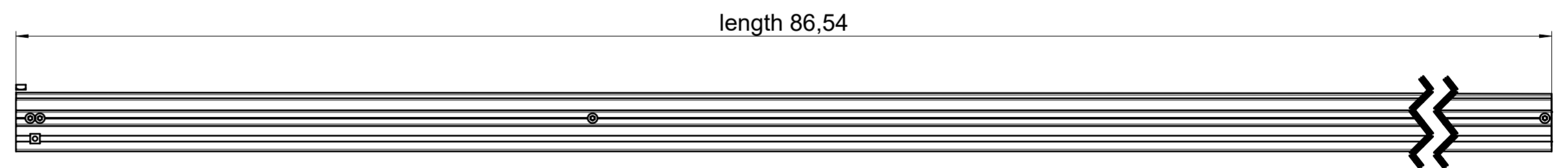
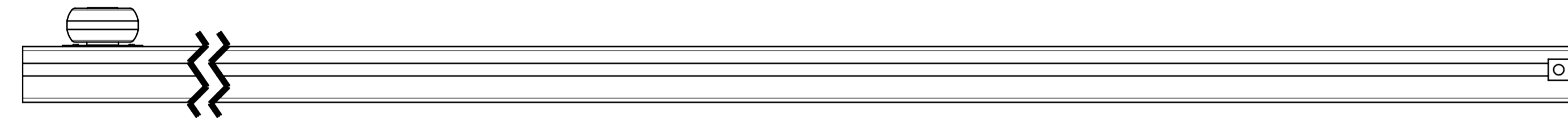
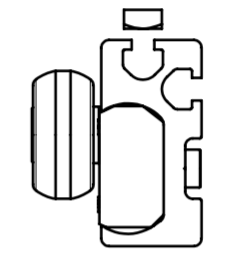
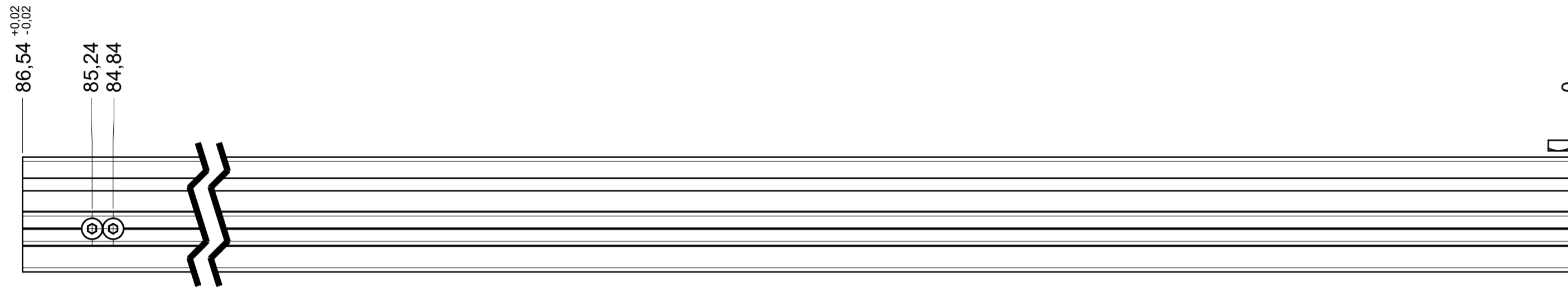
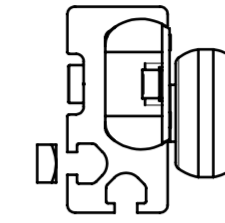
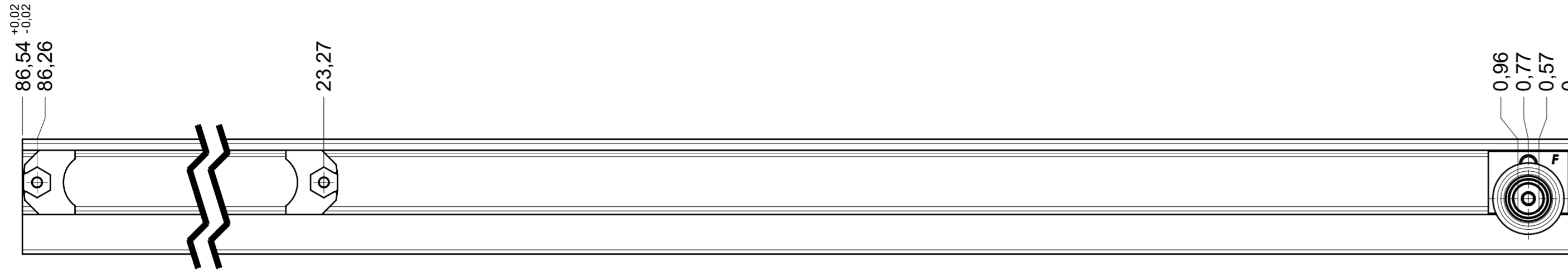
customer name:

signed by:

date:

<b>all dimensions in inch</b>				DIN ISO 128-30 missing dimensions see 3D = theor. intersection	
This drawing remains our property and may not be multiplied neither be disclosed to third parties (§§1,3 and 5 from the copyright Act (UrhG)) covered according to DIN ISO 16016					
(k) (l) (i) (h) (g) (f) (e) (d) (c) (b) (a)	scale:	1:2	surface:	material, semi finished parts: CS (technical requirements Fulterer)	
	drawn	01-02-2023	date	name	description: FR 9000 / 220 EN (inch) progressive-action full-extension drawerslide / side mount
	proven	01-03-2023	date	name	
Fulterer AG & Co KG A-6890 Lustenau / Austria Fulterer AG CH-9430 St. Margrethen			drawing number: <b>9000.2200-GA.0000.li</b> replaces version date:		
ind.	changes	date	na.		

drawn right



## final approval

customer name:

signed by:

date:

## all dimensions in inch

DIN ISO 128-30  
missing dimensions see 3D  
= theor. intersection

This drawing remains our property and may not be multiplied neither be disclosed to third parties (§§1,3 and 5 from the copyright Act (UrhG)) covered according to DIN ISO 16016				scale:	surface:	material, semi finished parts:	A2
(k)				1:2		CS	
(l)				drawn	date	name	
(h)				01-02-2023	01-02-2023	ex	
(g)				proven	01-03-2023	pr	
(f)						description: FR 9000 / 220 EN (inch) progressive-action full-extension drawerslide / side mount	
(e)							
(d)				<b>Fulterer AG &amp; Co KG</b> A-6890 Lustenau / Austria		drawing number: <b>9000.2200-GA.0000.re</b>	
(c)							
(b)				<b>Fulterer AG</b> CH-9430 St. Margrethen		replaces version date:	
(a)							
ind.	changes	date	na.				