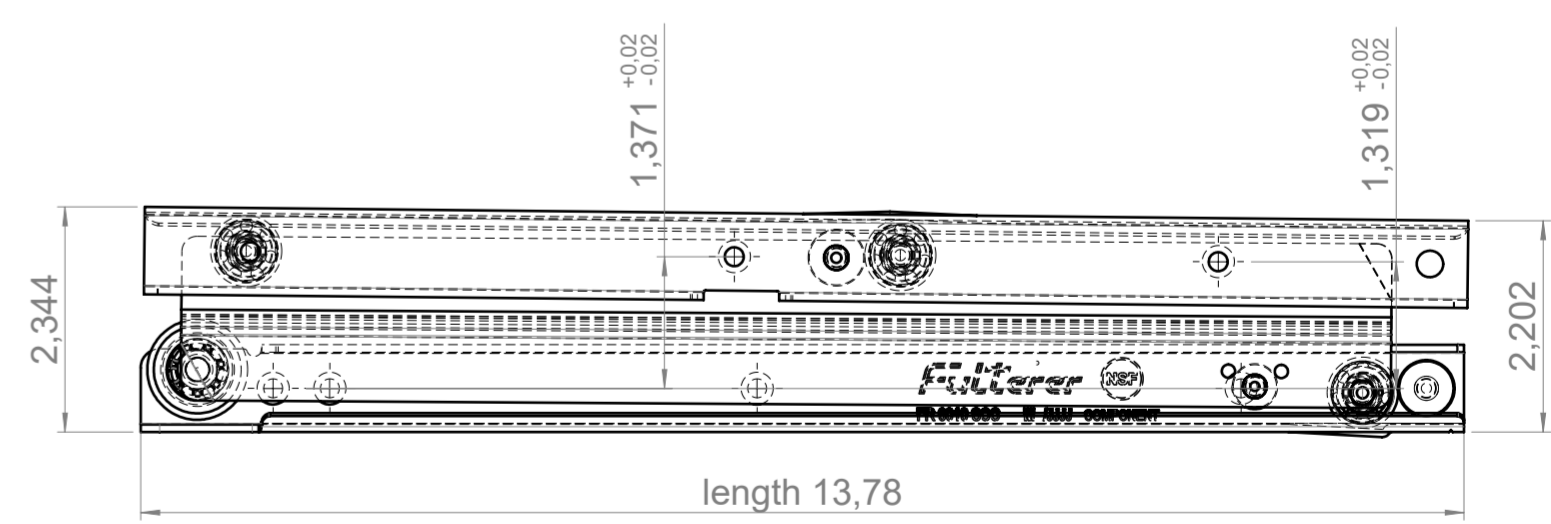
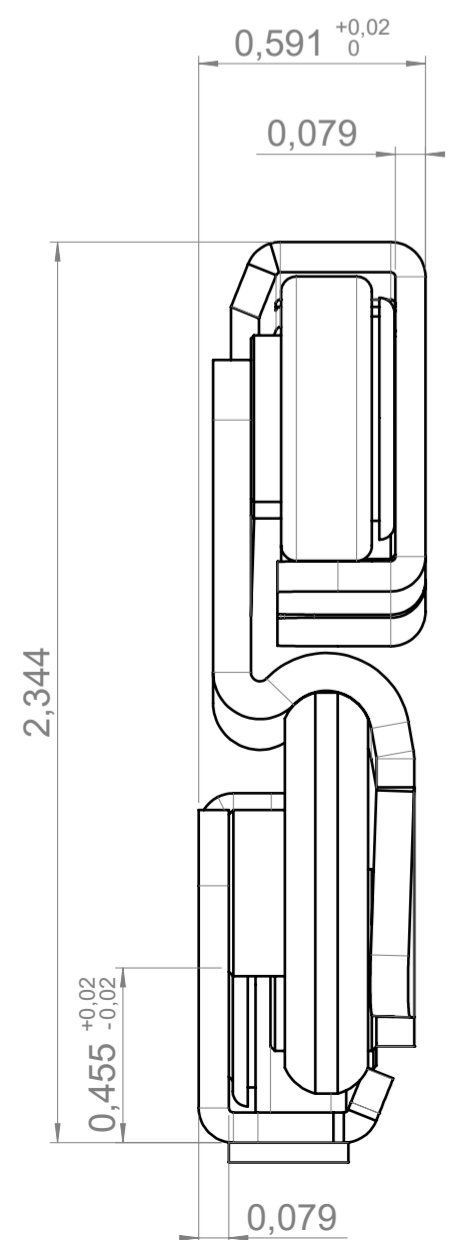
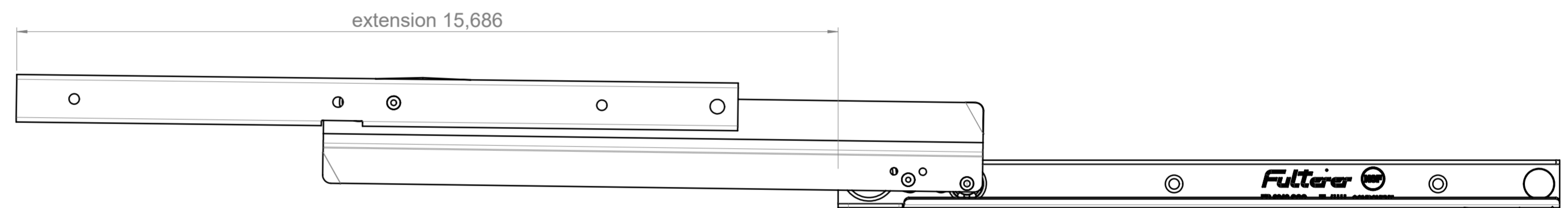
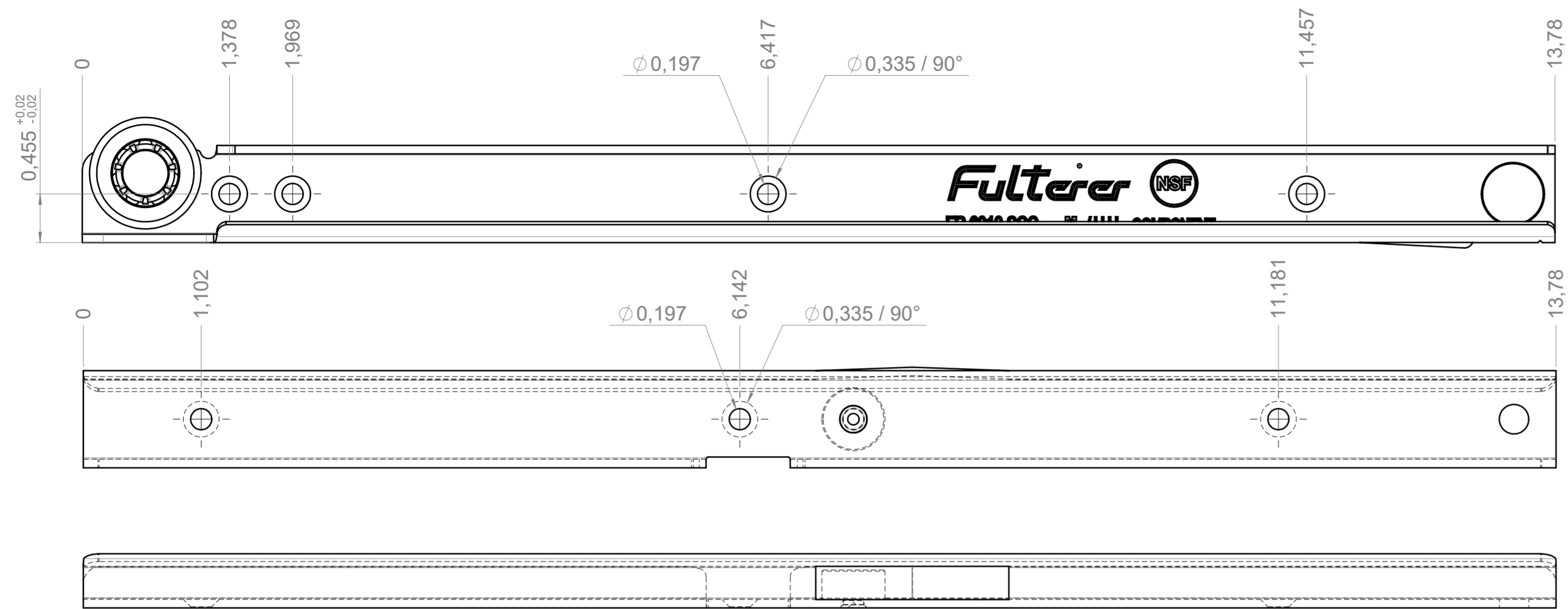


drawn on the left (mirrored on the right)



final approval	customer name:
	signed by:
	date:

all dimensions in inch			
missing dimensions see 3D = theor. intersection	scale: 1:1	surface/color:	material: CS (technical requirements Fulterer)
released		drawn: 2023-01-02 PR	description: FR 6010-350 CS EN (inch) over-extension drawerslide / side mount
		proven: 2025-02-25	drawing number: CS# 6010.350-GA.WARM
		replaces the edition:	
Fulterer AG & Co KG A-6890 Lustenau		Fulterer AG CH-9430 St. Margrethen	
ind. changes: PDM 2023-01-02 PR		covered according to DIN ISO 16016	