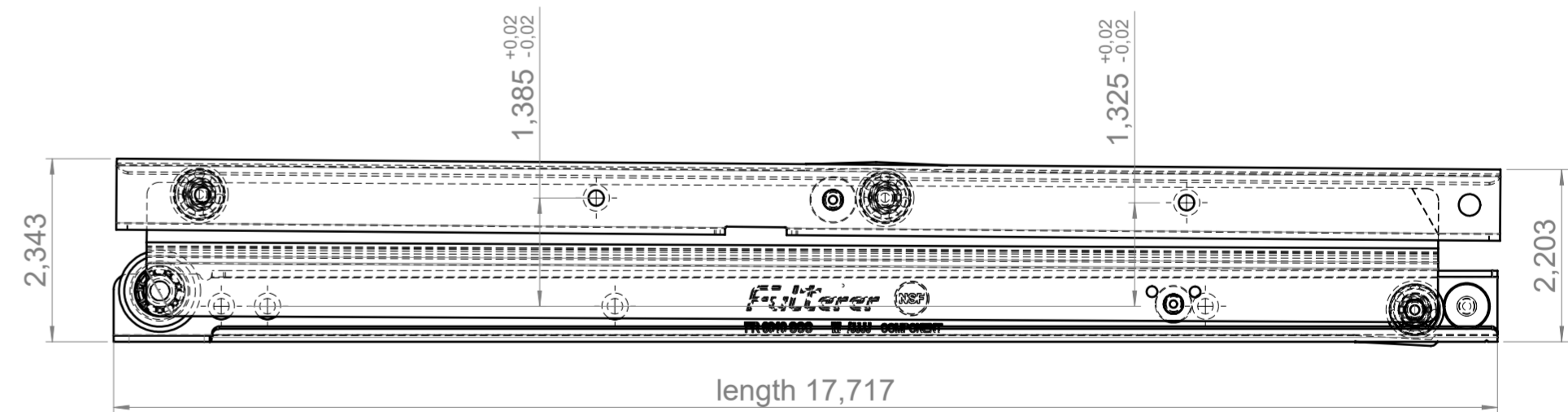
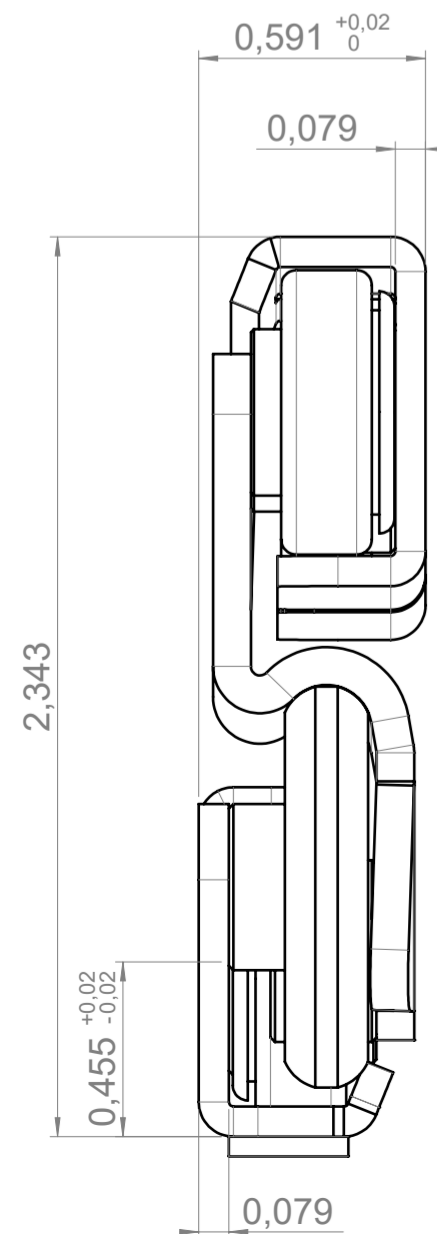
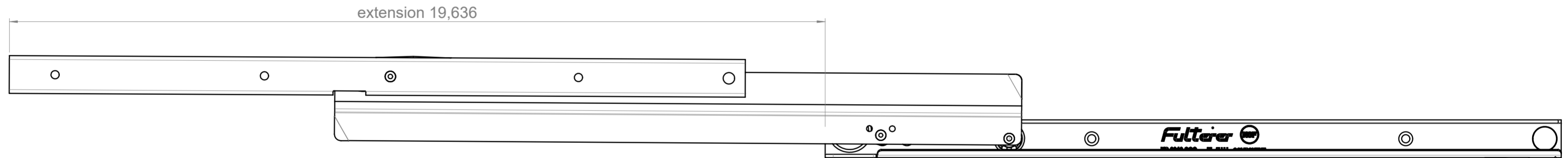
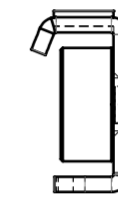
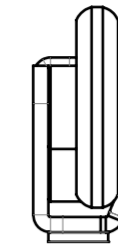
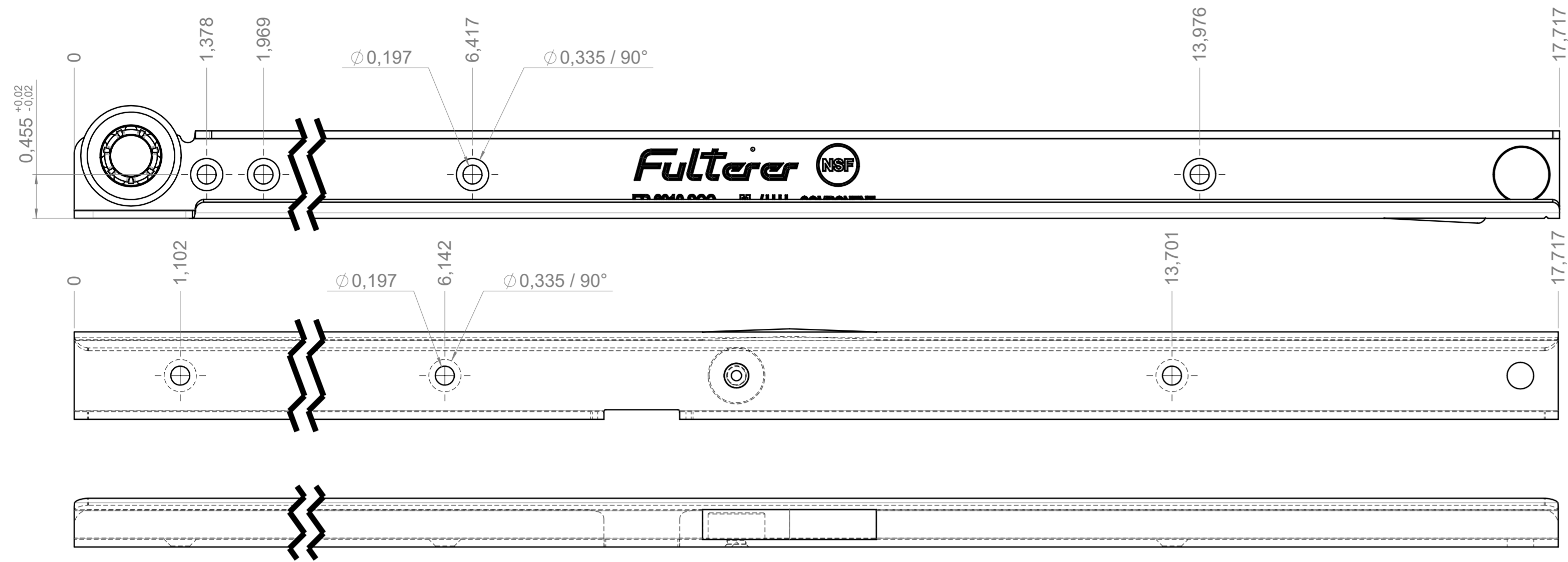


drawn on the left (mirrored on the right)



final approval	customer name:
	signed by:
	date:

all dimensions in inch					
missing dimensions see 3D = theor. intersection	scale: 1:1	surface/color:	material: (technical requirements Fulterer) CS		
released	drawn	date	name	description: FR 6010-450 CS EN (inch) over-extension drawerslide / side mount	
	proven	2023-01-02	PR		
			drawing number: CS# 6010.450-GA.WARM		
Fulterer AG & Co KG A-6890 Lustenau Fulterer AG CH-9430 St. Margrethen			replaces the edition:		
This drawing remains our property and may not be multiplied neither be disclosed to third parties (§§1.3 and 5 from the copyright Act (UrHG)).					covered according to DIN ISO 16016