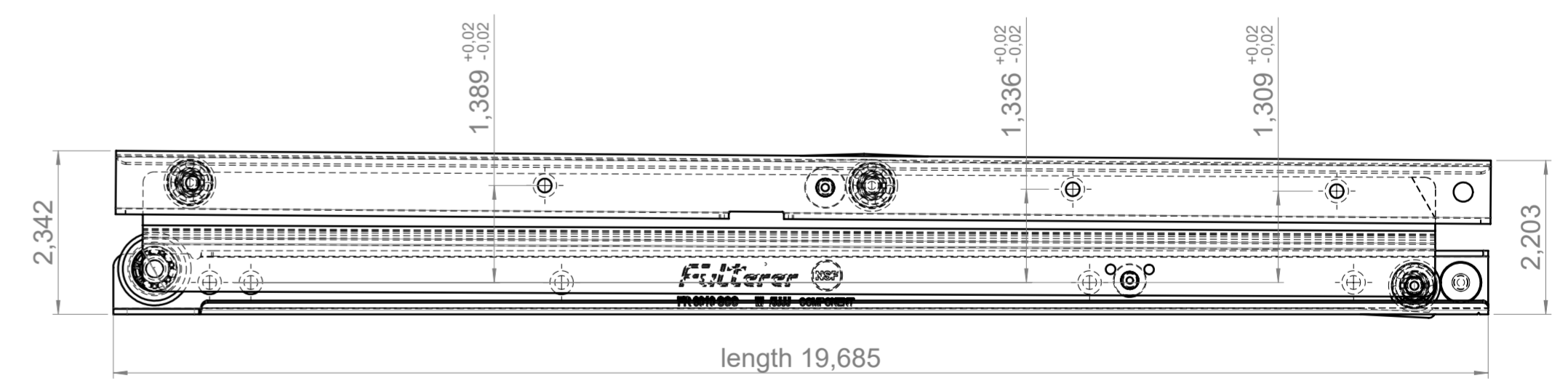
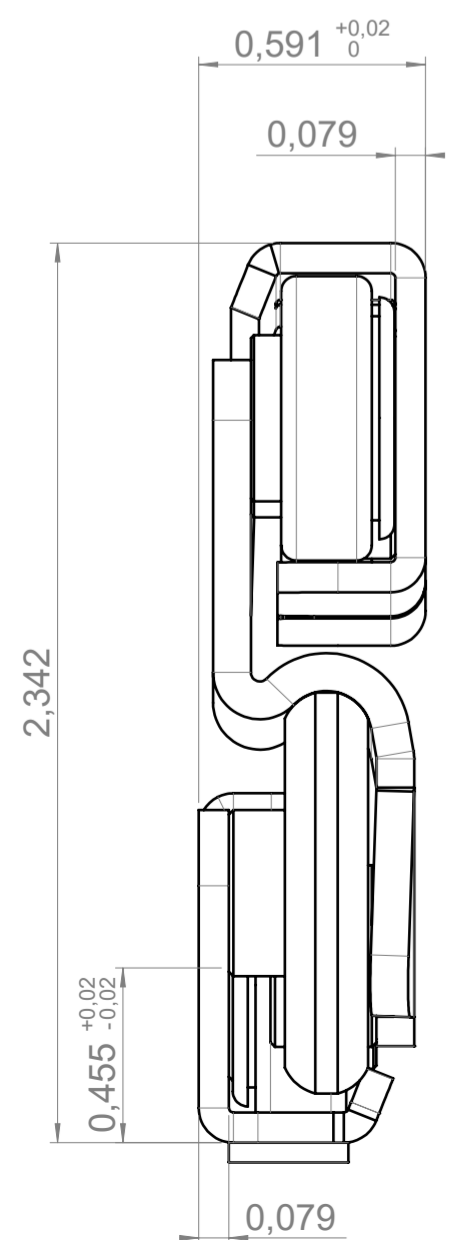
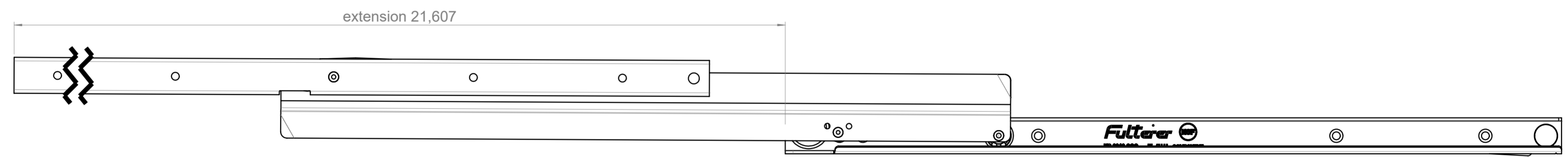
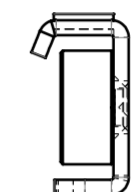
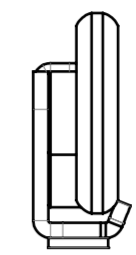
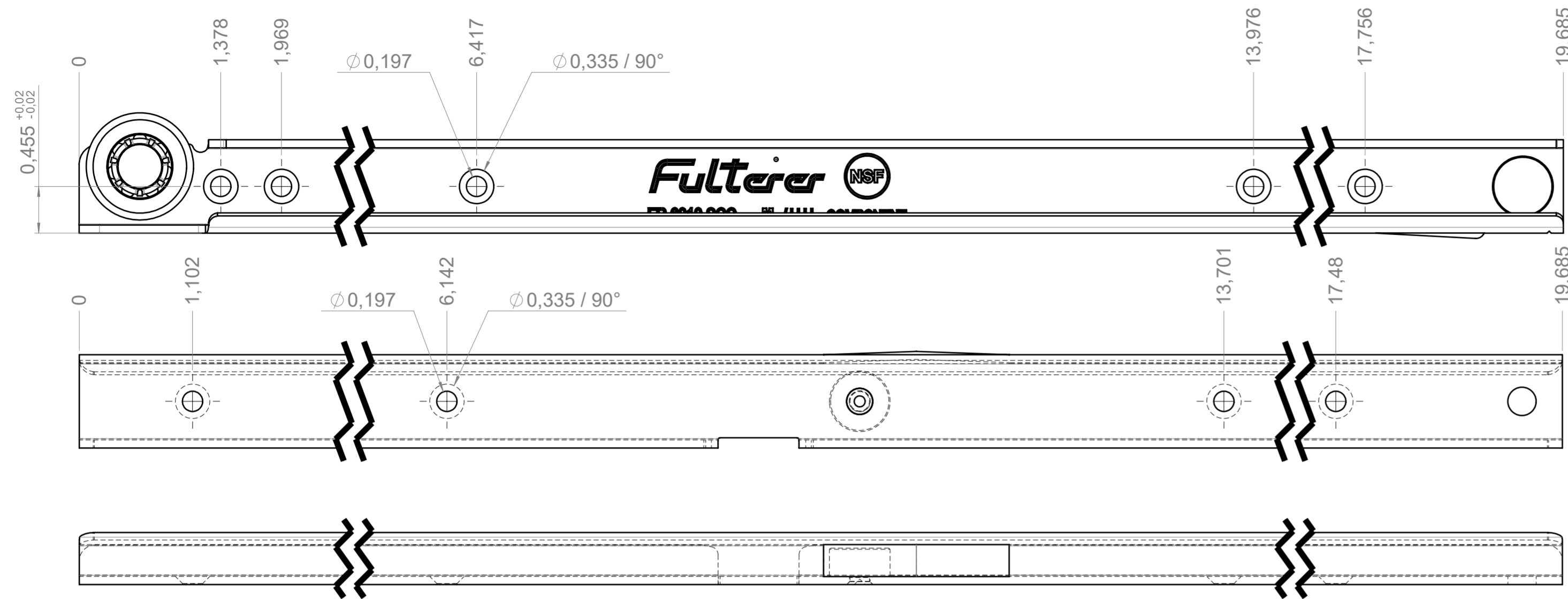


drawn on the left (mirrored on the right)



final approval

customer name:

signed by:

date:

all dimensions in inch											
missing dimensions see 3D = theor. intersection		scale: 1:1	surface/color:	material: (technical requirements Fulterer) CS							
released			drawn	date	description: FR 6010-500 CS EN (inch) over-extension drawerslide / side mount						
			proven	date							
<table border="1"> <tr> <td>① PDM</td> <td>2023-01-02</td> <td>PR</td> </tr> <tr> <td>ind. changes</td> <td>date</td> <td>name</td> </tr> </table>			① PDM	2023-01-02	PR	ind. changes	date	name	 Fulterer AG & Co KG A-6890 Lustenau Fulterer AG CH-9430 St. Margrethen		drawing number: CS# 6010.500-GA.WARM
			① PDM	2023-01-02	PR						
ind. changes	date	name									
replaces the edition:											