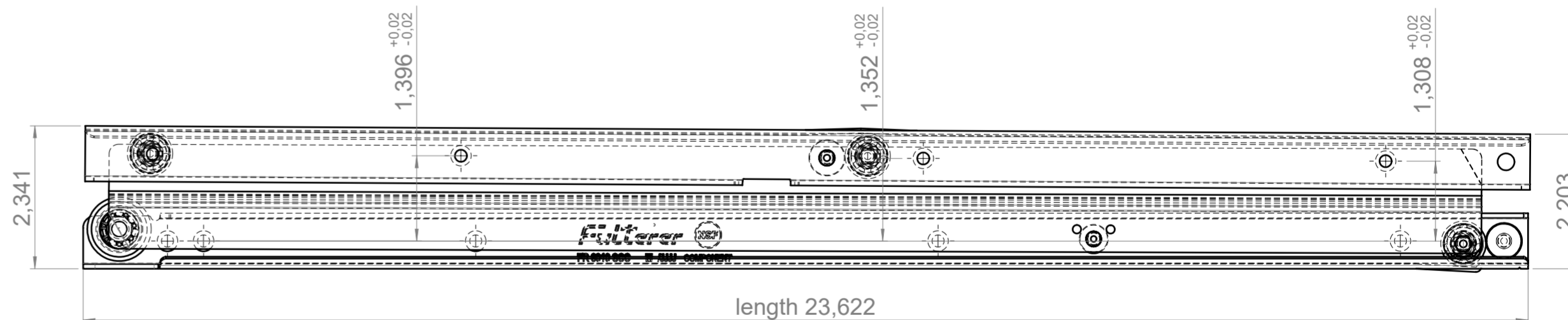
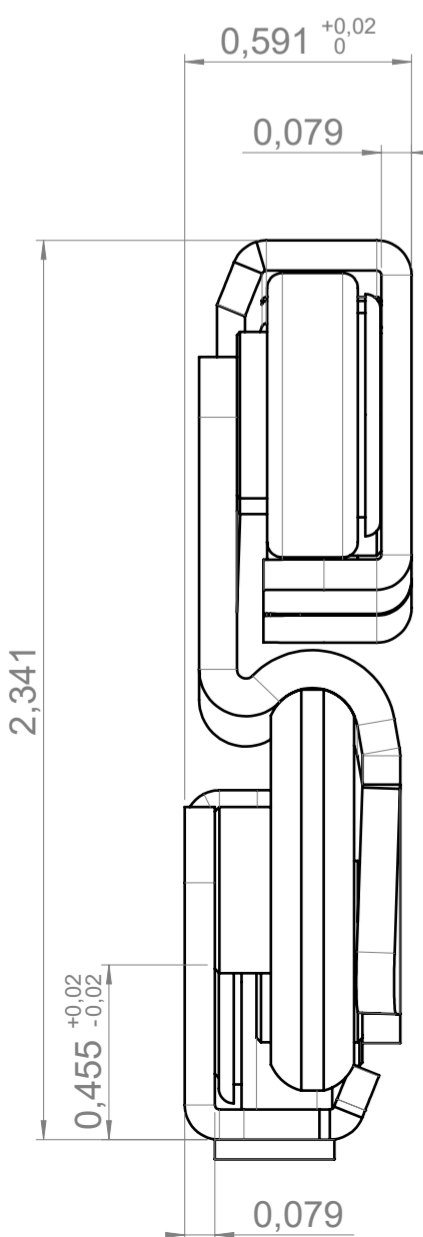
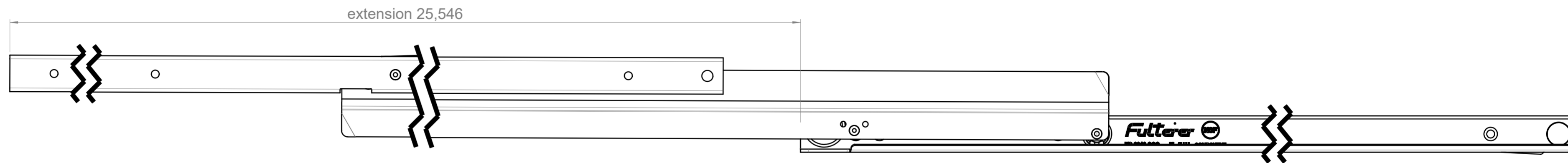
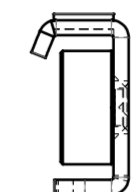
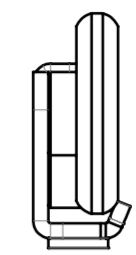
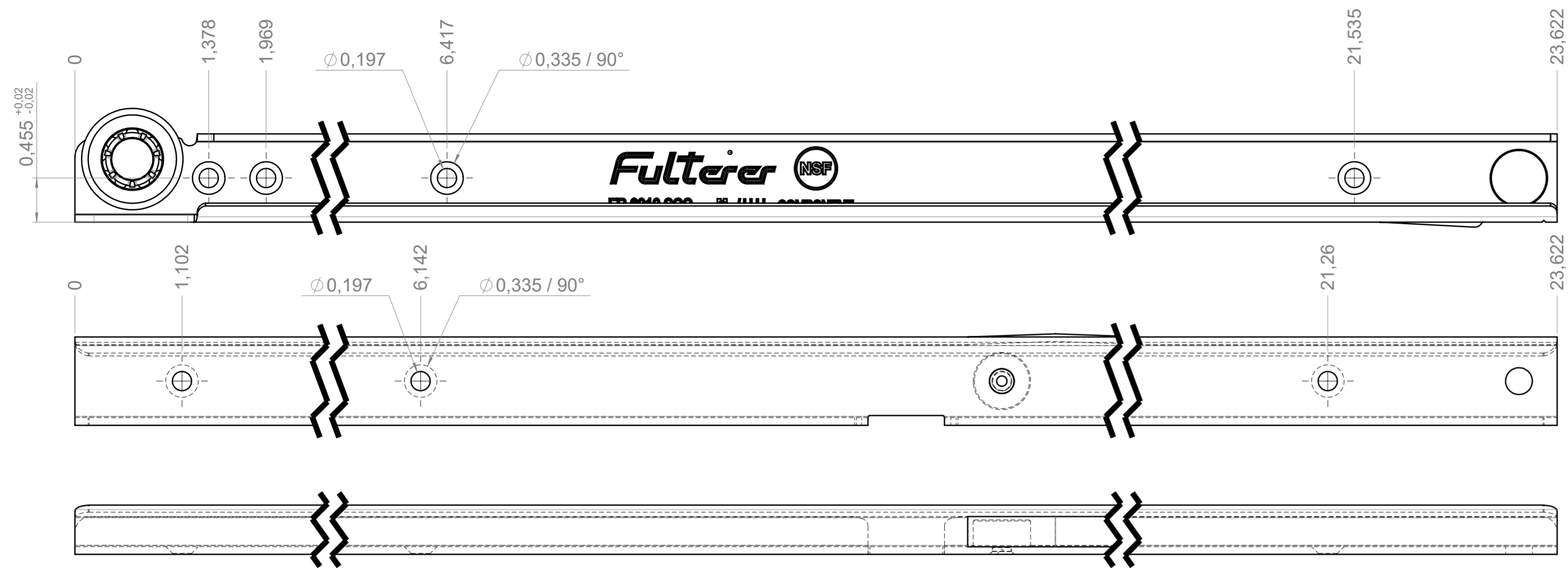


drawn on the left (mirrored on the right)



**final approval**

customer name:

signed by:

date:

all dimensions in inch											
missing dimensions see 3D $\varnothing$ = theor. intersection	DIN ISO 128-30	scale: <b>1:1</b>	surface/color:	material:	(technical requirements Fulterer)						
<b>released</b>			date	name	description: <b>FR 6010-600 CS EN (inch)</b> over-extension drawerslide / side mount						
			drawn 2023-01-02 PR	proven 2025-02-25		drawing number: <b>CS# 6010.600-GA.WARM</b>					
<table border="1"> <tr> <td>① PDM</td> <td>2023-01-02</td> <td>PR</td> </tr> <tr> <td>ind. changes</td> <td>date</td> <td>name</td> </tr> </table>			① PDM	2023-01-02	PR	ind. changes	date	name	<b>Fulterer</b> Fulterer AG & Co KG A-6890 Lustenau Fulterer AG CH-9430 St. Margrethen		replaces the edition:
① PDM	2023-01-02	PR									
ind. changes	date	name									
This drawing remains our property and may not be multiplied neither be disclosed to third parties (§§1.3 and 5 from the copyright Act (UrHG)).					covered according to DIN ISO 16016						