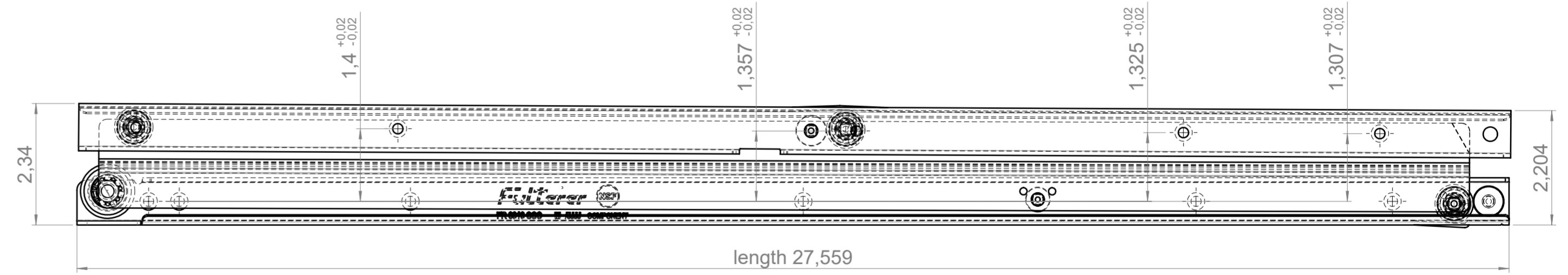
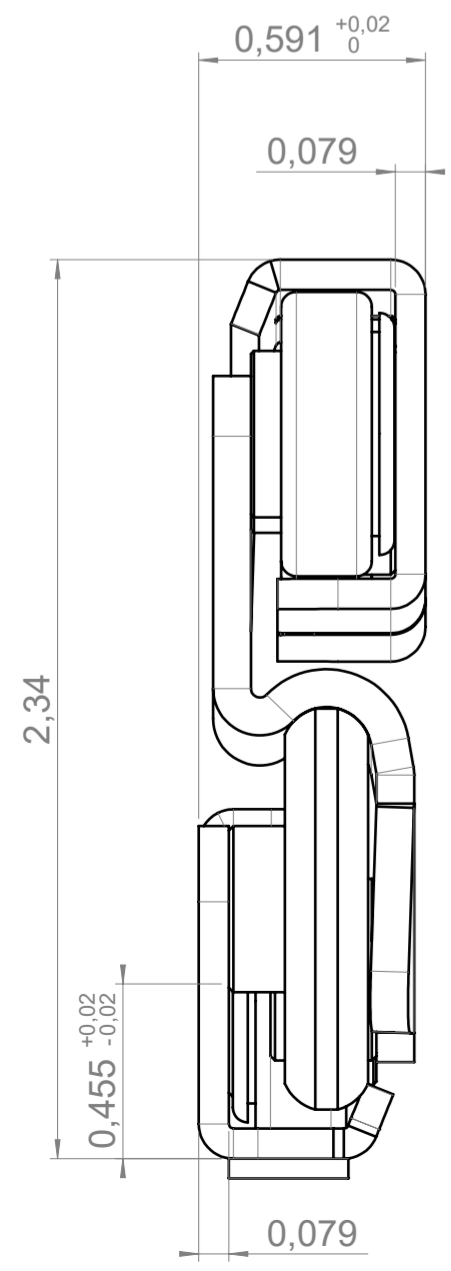
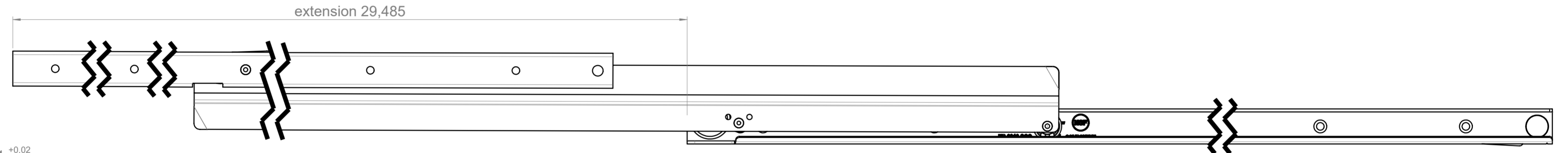
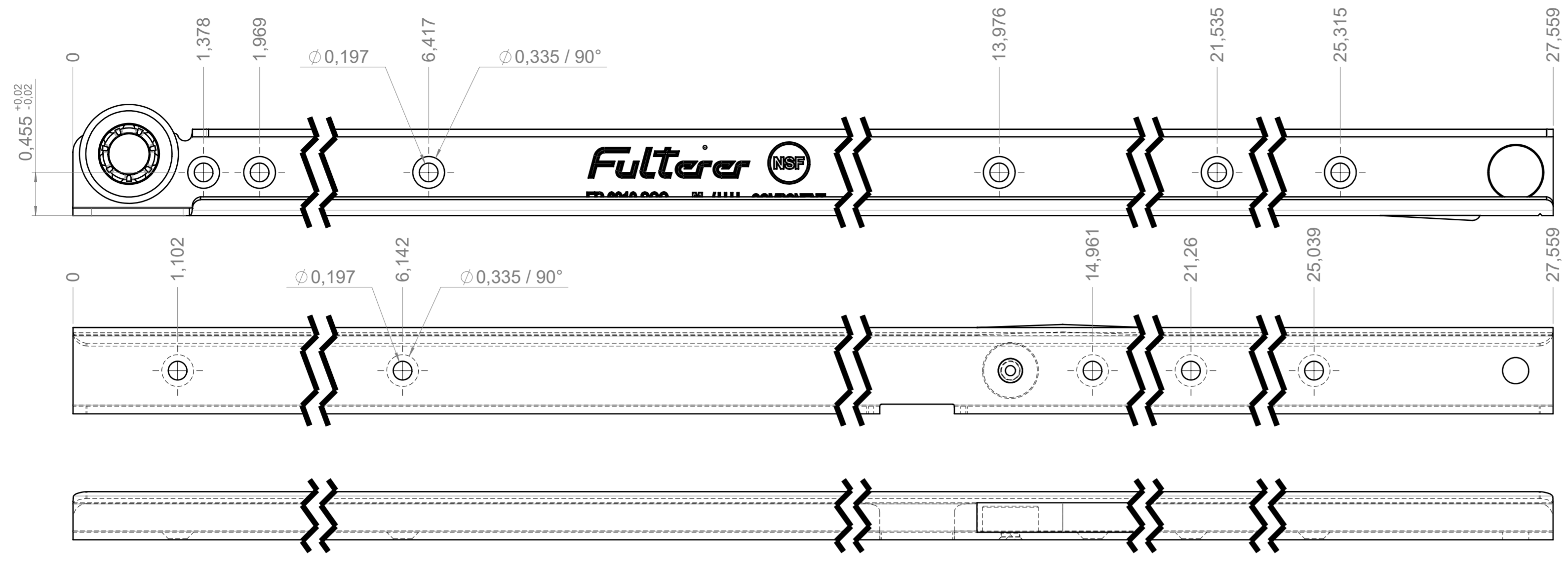


drawn on the left (mirrored on the right)



final approval

customer name:

signed by:

date:

all dimensions in inch											
missing dimensions see 3D = theor. intersection	DIN ISO 128-30	scale: 1:1	surface/color:	material: CS	(technical requirements Fulterer)						
released		drawn	date	name	description: FR 6010-700 CS EN (inch) over-extension drawerslide / side mount						
		proven	2023-01-02	PR							
<table border="1"> <tr> <td>① PDM</td> <td>2023-01-02</td> <td>PR</td> </tr> <tr> <td>ind. changes</td> <td>date</td> <td>name</td> </tr> </table>		① PDM	2023-01-02	PR	ind. changes	date	name	Fulterer Fulterer AG & Co KG A-6890 Lustenau Fulterer AG CH-9430 St. Margrethen		drawing number: CS# 6010.700-GA.WARM replaces the edition:	
① PDM	2023-01-02	PR									
ind. changes	date	name									
This drawing remains our property and may not be multiplied neither be disclosed to third parties (§§1.3 and 5 from the copyright Act (UrH.G)).					covered according to DIN ISO 16016						