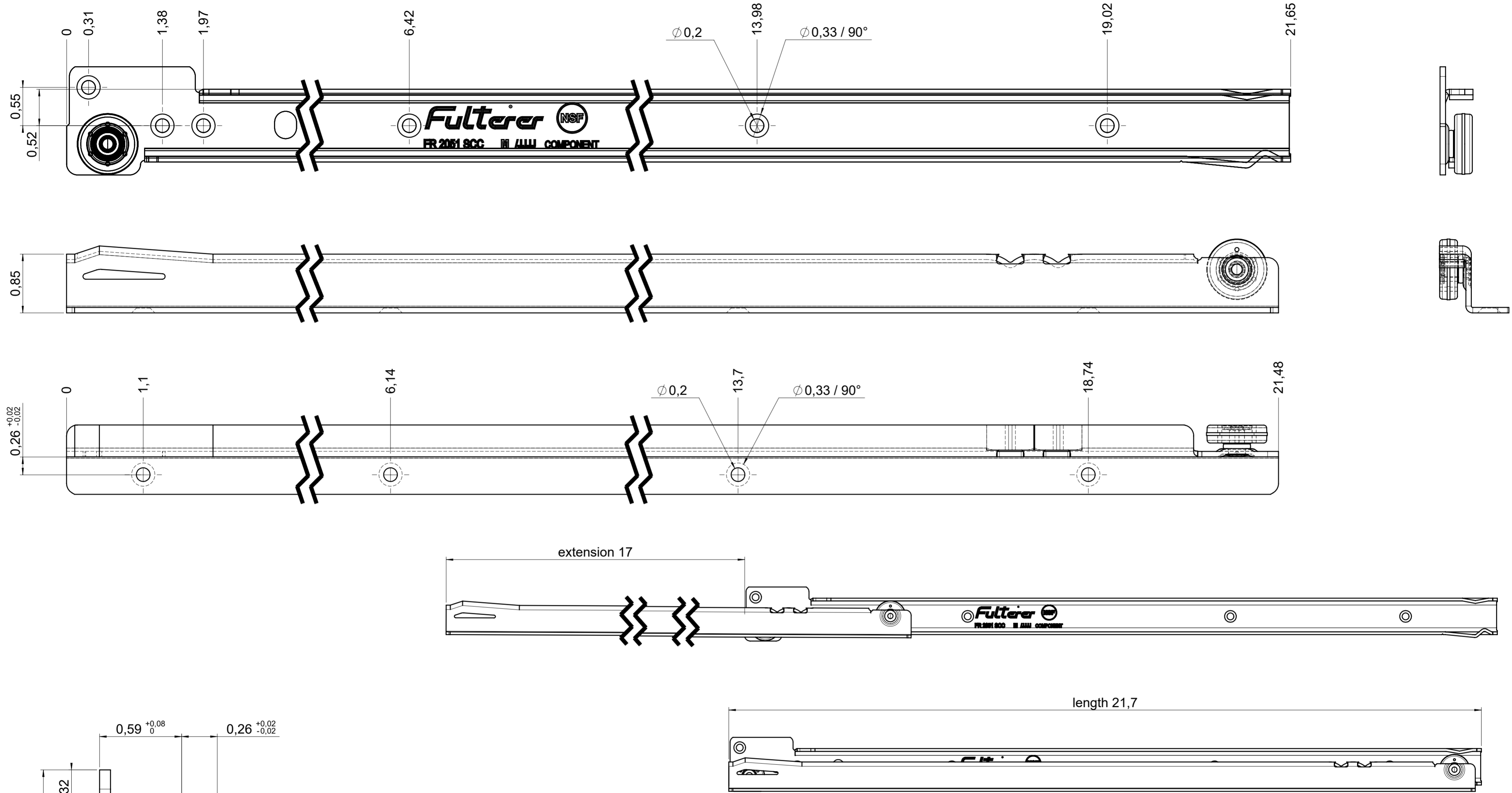


drawn left



**final approval**

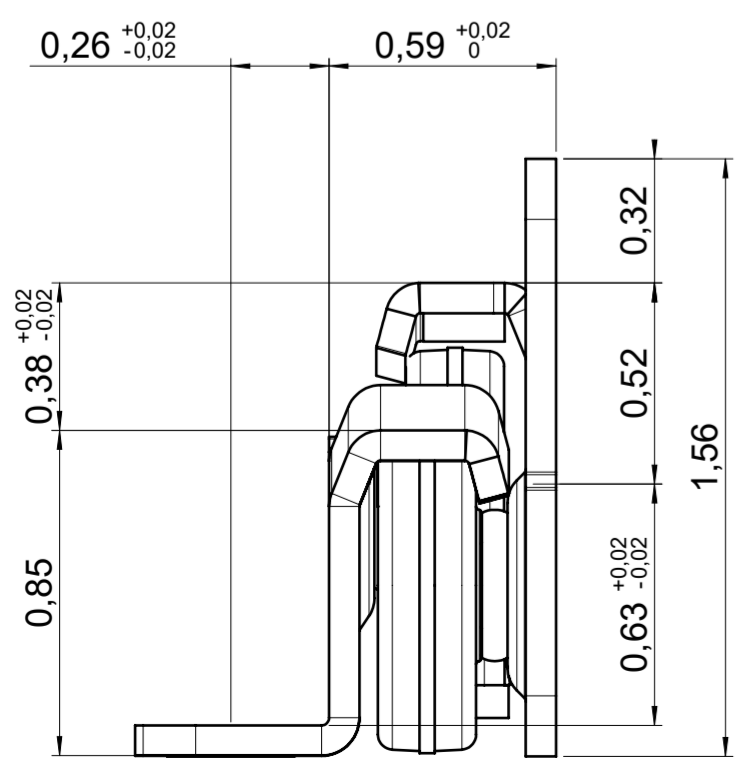
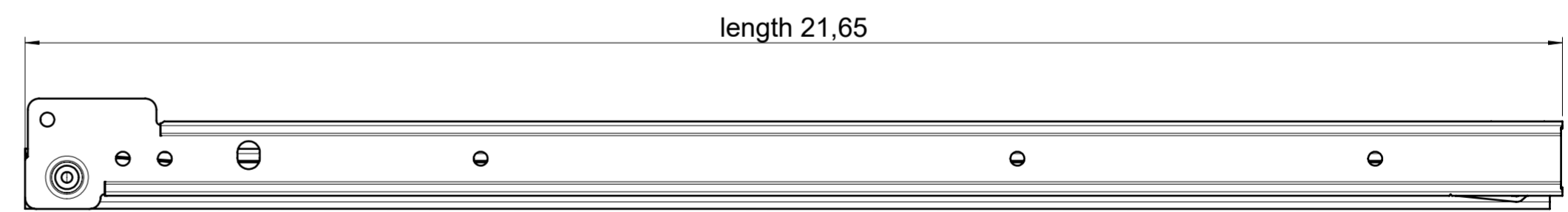
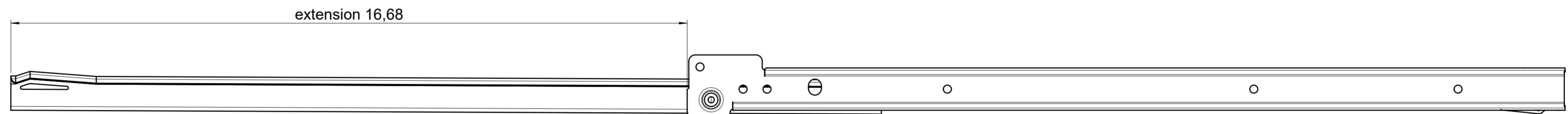
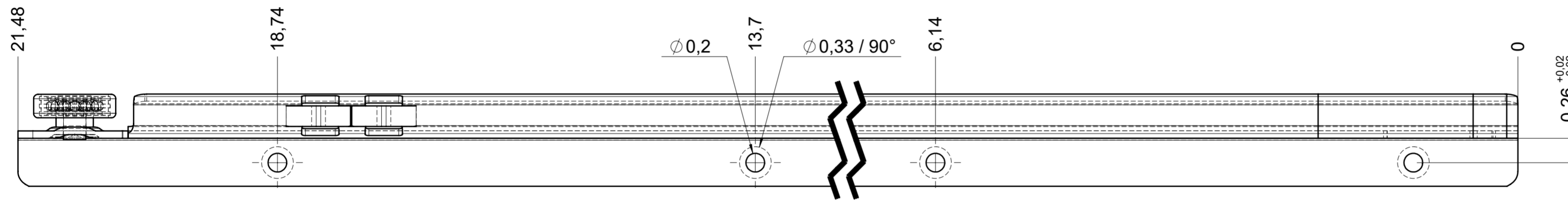
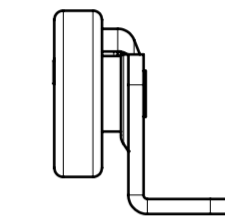
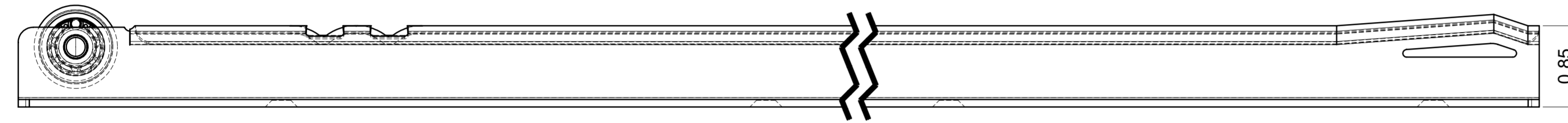
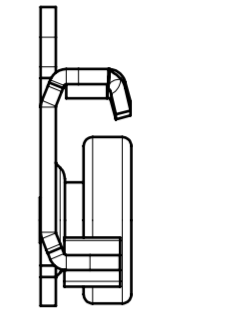
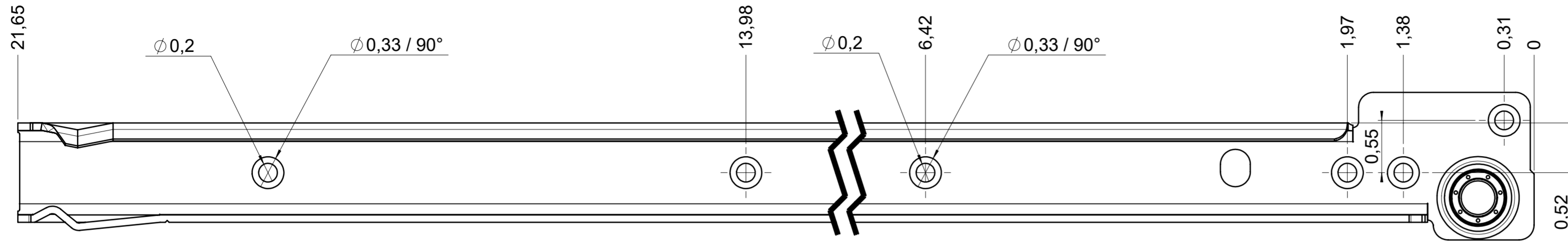
customer name:

signed by:

date:

|  |                                       |          |  |   |
|--|---------------------------------------|----------|--|---|
| <b>all dimensions in inch</b>  |                                       |          | DIN ISO 128-30<br>missing dimensions see 3D<br>= theor. intersection |   |
| This drawing remains our property and may not be multiplied neither be disclosed to third parties (§§1,3 and 5 from the copyright Act (UrhG)) covered according to DIN ISO 16016 |                                       |          |  |   |
| scale: 1:1   |                                       | surface: |  | A2  |
| (k)  | date                                  | name     |  | material, semi finished parts:<br>CS<br>(technical requirements Fulterer)                 |
| (l)  | drawn 01-02-2023                      | ex       |  |   |
| (h)  | proven 01-03-2023                     | pr       |  | description:<br>FR 2051 / 55 CS EN (inch)<br>regular-extension<br>drawerside / side mount |
| (f)  | <b>Fulterer</b>                       |          | drawing number:<br><b>CS# 2051.550-GA.SB00.li</b>                    |   |
| (e)  |                                       |          | Fulterer AG & Co KG<br>A-6890 Lustenau / Austria                     |   |
| (d)  | Fulterer AG<br>CH-9430 St. Margrethen |          |  |   |
| (c)  | changes                               | date     | na.  |   |
| (b)  |                                       |          |  |   |
| (a)  |                                       |          |  |   |

drawn right



**final approval**

customer name:

signed by:

date:

|  |            |                                       |     |  |  |
|--|------------|---------------------------------------|-----|--|--|
| <b>all dimensions in inch</b>  |            |                                       |     | DIN ISO 128-30<br>missing dimensions see 3D<br>= theor. intersection             |  |
| This drawing remains our property and may not be multiplied neither be disclosed to third parties (§§1,3 and 5 from the copyright Act (UrhG)) covered according to DIN ISO 16016 |            |                                       |     |  |  |
| scale: 1:1   |            | surface:                              |     | material, semi finished parts: CS (technical requirements Fulterer)              |  |
| drawn  | date       | name                                  | ex  | description: FR 2051 / 55 CS EN (inch) regular-extension drawerside / side mount |  |
| proven   | 01-03-2023 | pr                                    |     | drawing number: CS# 2051.550-GA.SB00.re  |  |
|  |            |                                       |     | replaces version date:   |  |
| Fulterer AG & Co KG<br>A-6890 Lustenau / Austria   |            | Fulterer AG<br>CH-9430 St. Margrethen |     |  |  |
| ind.   | changes    | date                                  | na. |  |  |