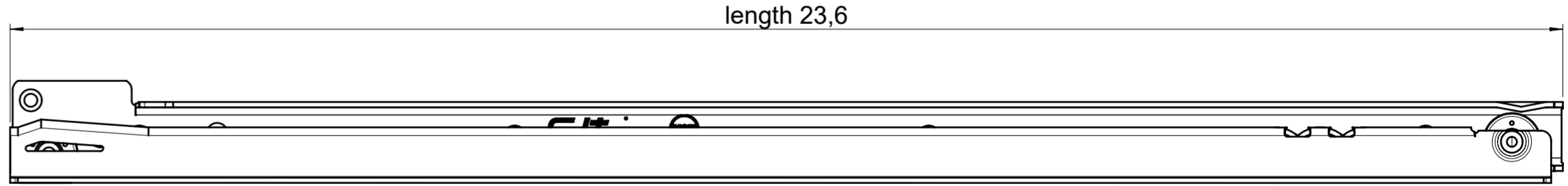
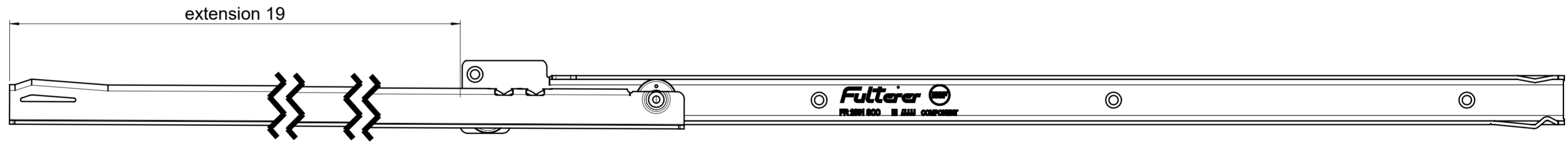
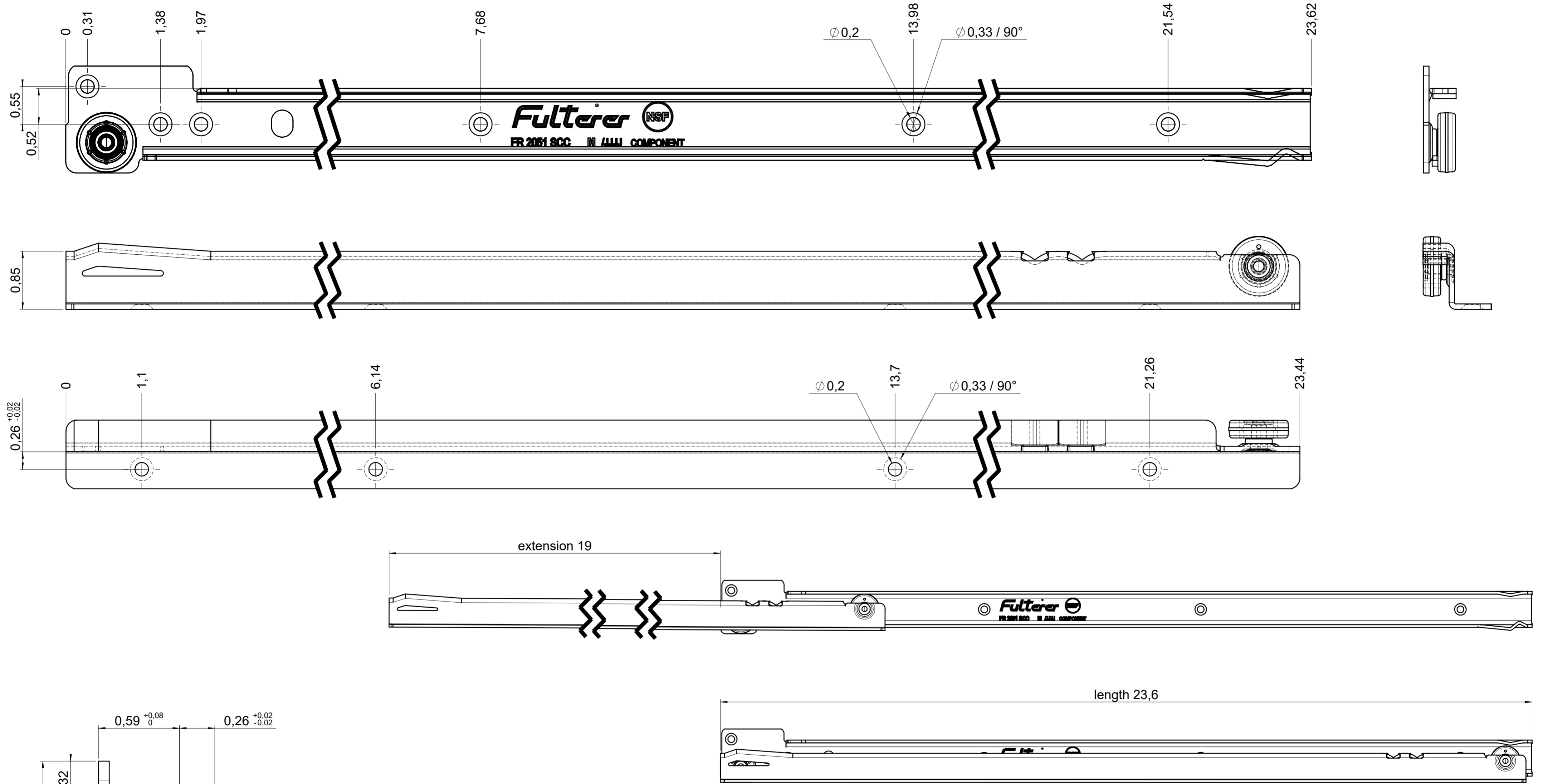


drawn left



final approval

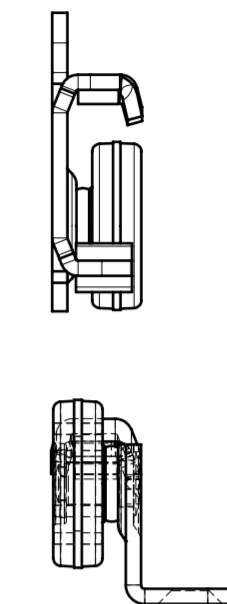
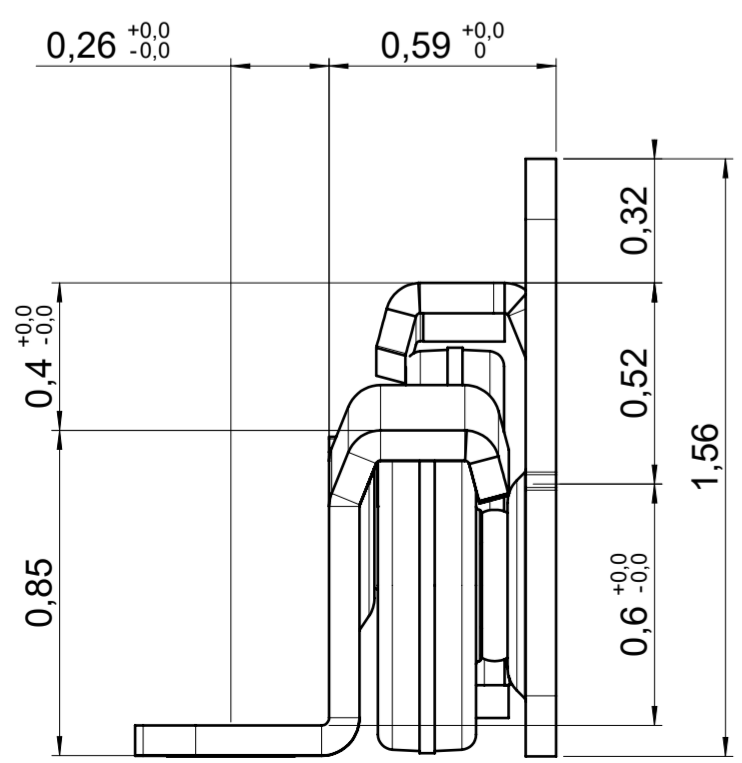
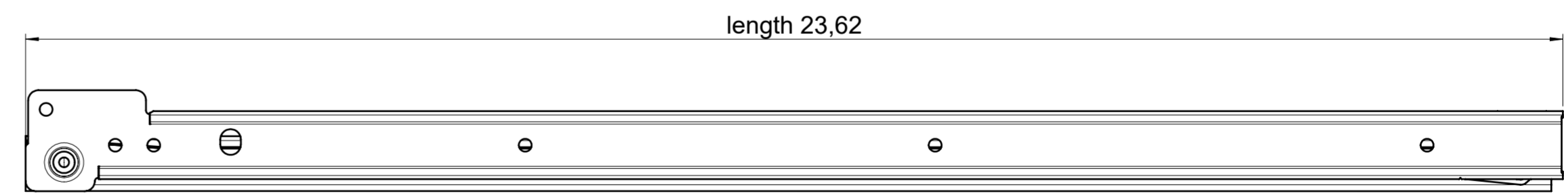
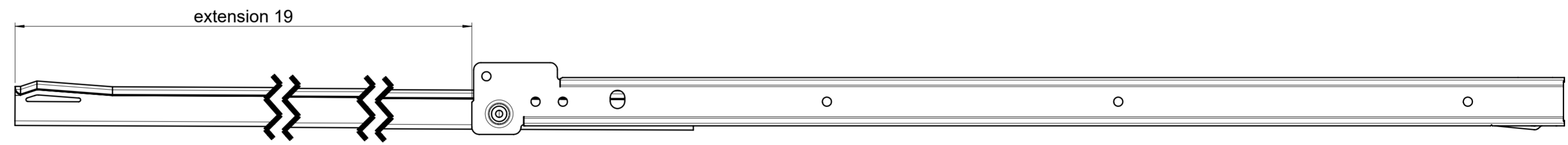
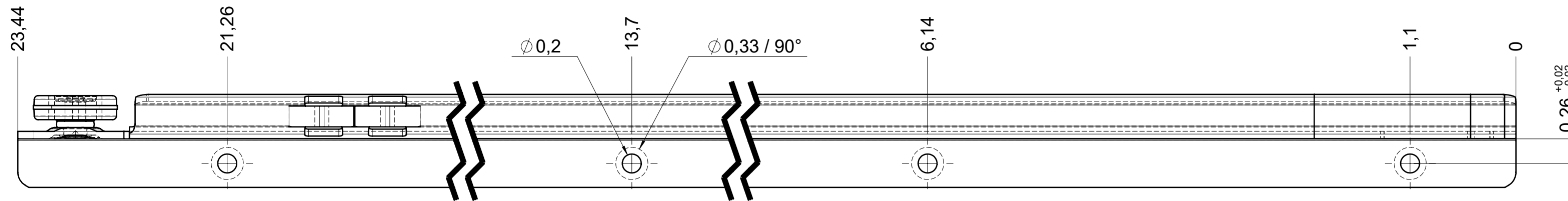
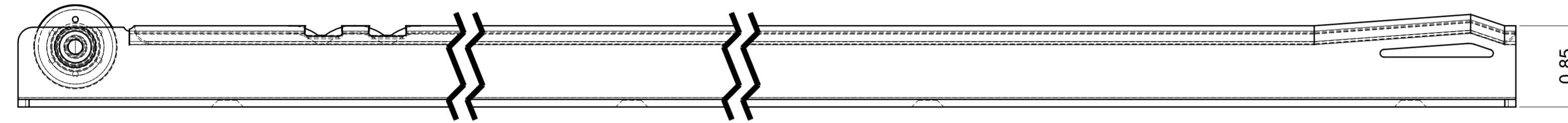
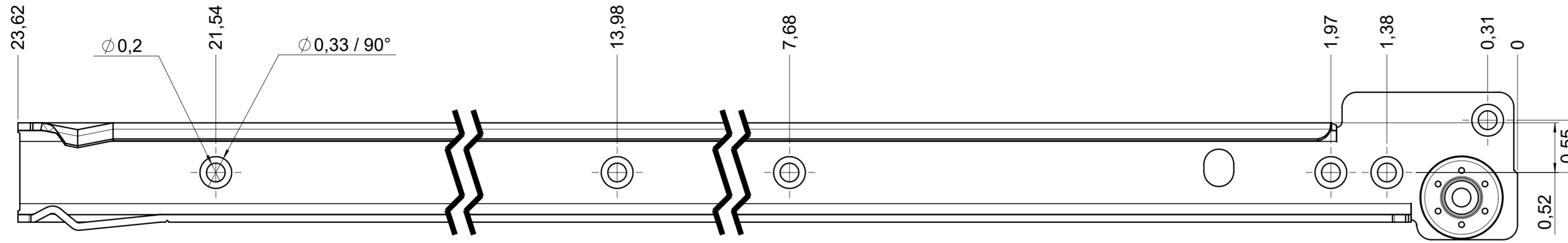
customer name:

signed by:

date:

all dimensions in inch				DIN ISO 128-30 missing dimensions see 3D = theor. intersection	
This drawing remains our property and may not be multiplied neither be disclosed to third parties (§§1,3 and 5 from the copyright Act (UrhG)) covered according to DIN ISO 16016					
scale: 1:1		surface:		material, semi finished parts: CS (technical requirements Fulterer)	
drawn	date	name	ex	description: FR 2051 / 60 CS EN (inch) regular-extension drawerside / side mount	
proven	01-03-2023	pr		drawing number: CS# 2051.600-GA.SB00.li	
				replaces version date:	
ind.	changes	date	na.		

drawn right



final approval

customer name:

signed by:

date:

all dimensions in inch				DIN ISO 128-30 missing dimensions see 3D = theor. intersection	
This drawing remains our property and may not be multiplied neither be disclosed to third parties (§§1,3 and 5 from the copyright Act (UrhG)) covered according to DIN ISO 16016					
scale: 1:1		surface:		material, semi finished parts: CS (technical requirements Fulterer)	
drawn 01-02-2023		date 01-02-2023		name ex	
proven 01-03-2023		date 01-03-2023		name pr	
Fulterer				description: FR 2051 / 60 CS EN (inch) regular-extension drawerslide / side mount	
Fulterer AG & Co KG A-6890 Lustenau / Austria				drawing number: CS# 2051.600-GA.SB00.re	
Fulterer AG CH-9430 St. Margrethen				replaces version date:	
ind.	changes	date	na.		