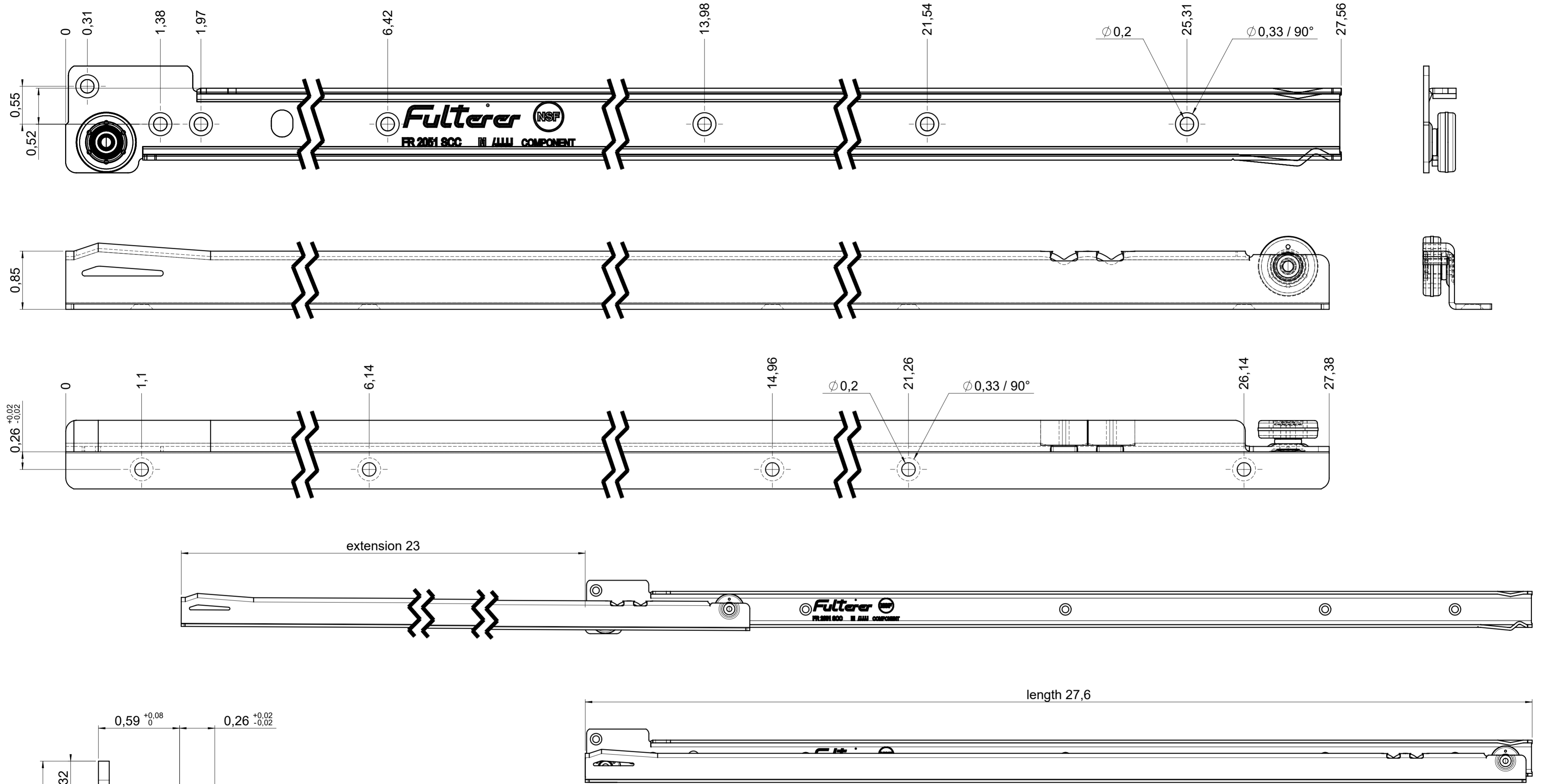


drawn left



**final approval**

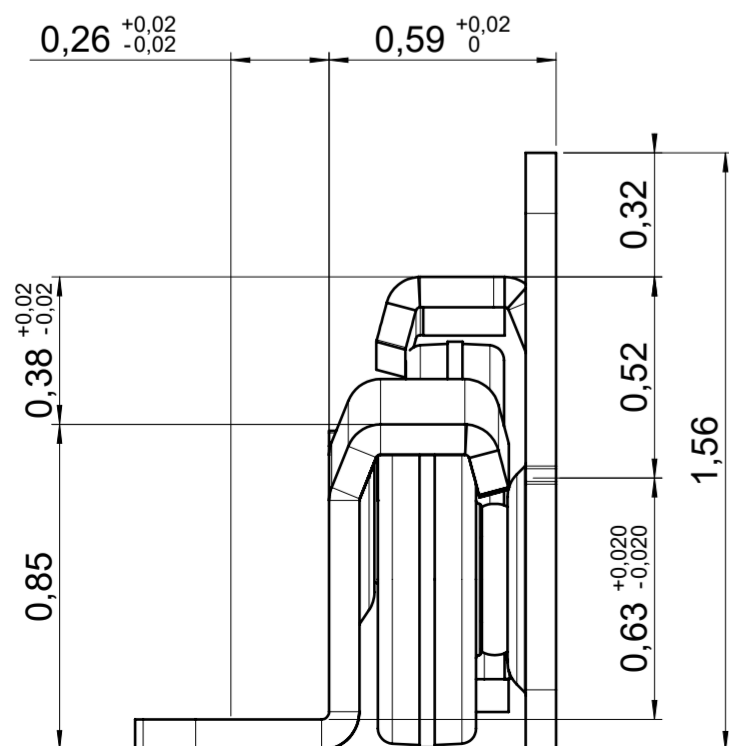
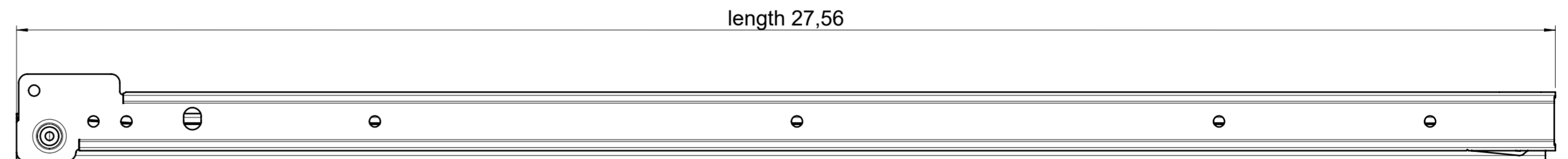
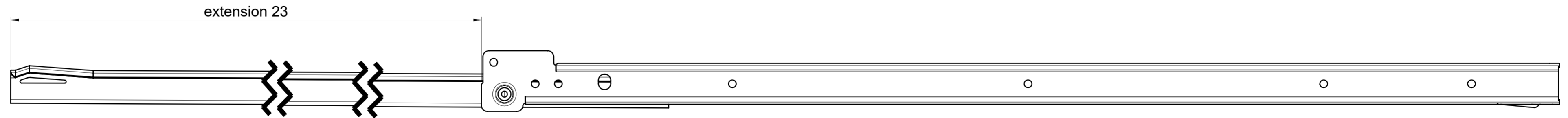
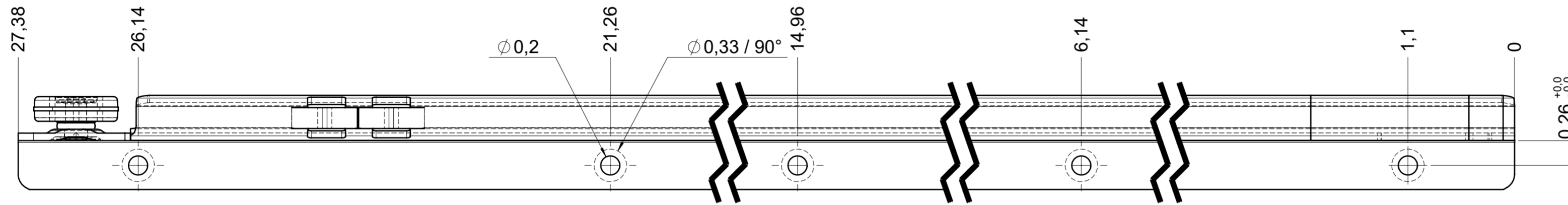
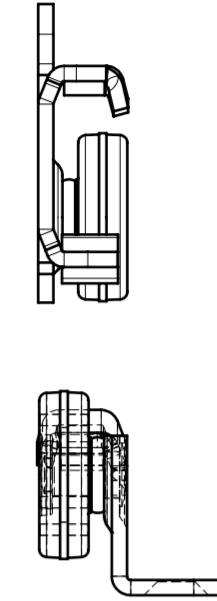
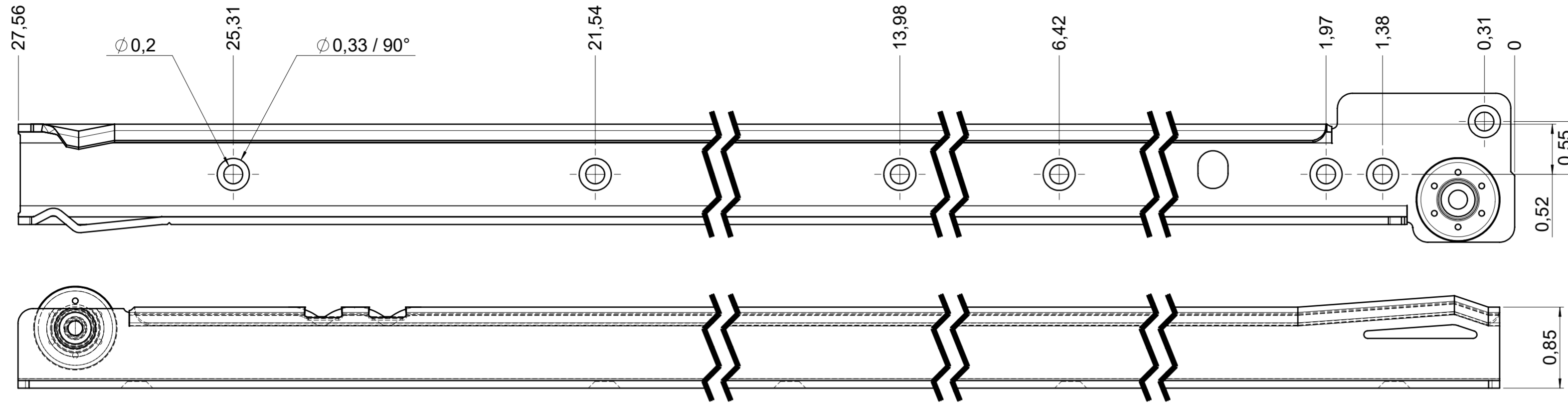
customer name:

signed by:

date:

<b>all dimensions in inch</b>			DIN ISO 128-30 missing dimensions see 3D = theor. intersection	
This drawing remains our property and may not be multiplied neither be disclosed to third parties (§§1,3 and 5 from the copyright Act (UrhG)) covered according to DIN ISO 16016				
scale: 1:1		surface:		material, semi finished parts: CS (technical requirements Fulterer)
drawn	date	name	ex	description: FR 2051 / 70 CS EN (inch) regular-extension drawerside / side mount
proven	01-02-2023		pr	
			drawing number: CS# 2051.700-GA.SB00.li	
Fulterer AG & Co KG A-6890 Lustenau / Austria Fulterer AG CH-9430 St. Margrethen			replaces version date:	
ind.	changes	date	na.	

drawn right



**final approval**

customer name:

signed by:

date:

**all dimensions in inch**

DIN ISO 128-30  
missing dimensions see 3D  
= theor. intersection

This drawing remains our property and may not be multiplied neither be disclosed to third parties (§§1,3 and 5 from the copyright Act (UrhG)) covered according to DIN ISO 16016				scale:	surface:	material, semi finished parts: CS (technical requirements Fulterer)
		1:1			A2	
(k)			date	name	description: FR 2051 / 70 CS EN (inch) regular-extension drawerslide / side mount	
(l)			drawn 01-02-2023	ex		
(m)			proven 01-03-2023	pr		
(n)					drawing number: <b>CS# 2051.700-GA.SB00.re</b> replaces version date:	
(o)						
(p)						
(q)						
(r)			Fulterer AG & Co KG A-6890 Lustenau / Austria			
(s)			Fulterer AG CH-9430 St. Margrethen			
(t)			changes	date	na.	