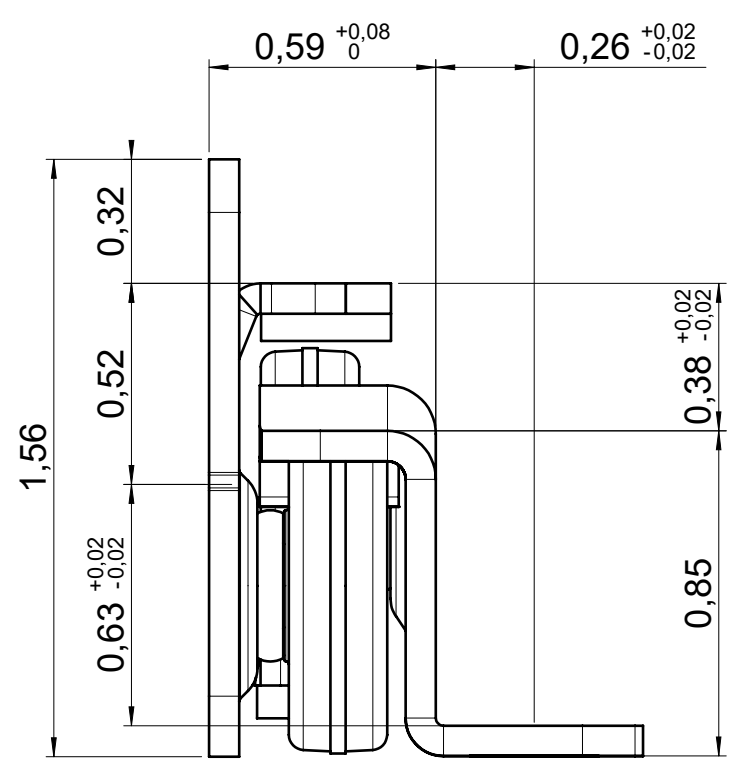
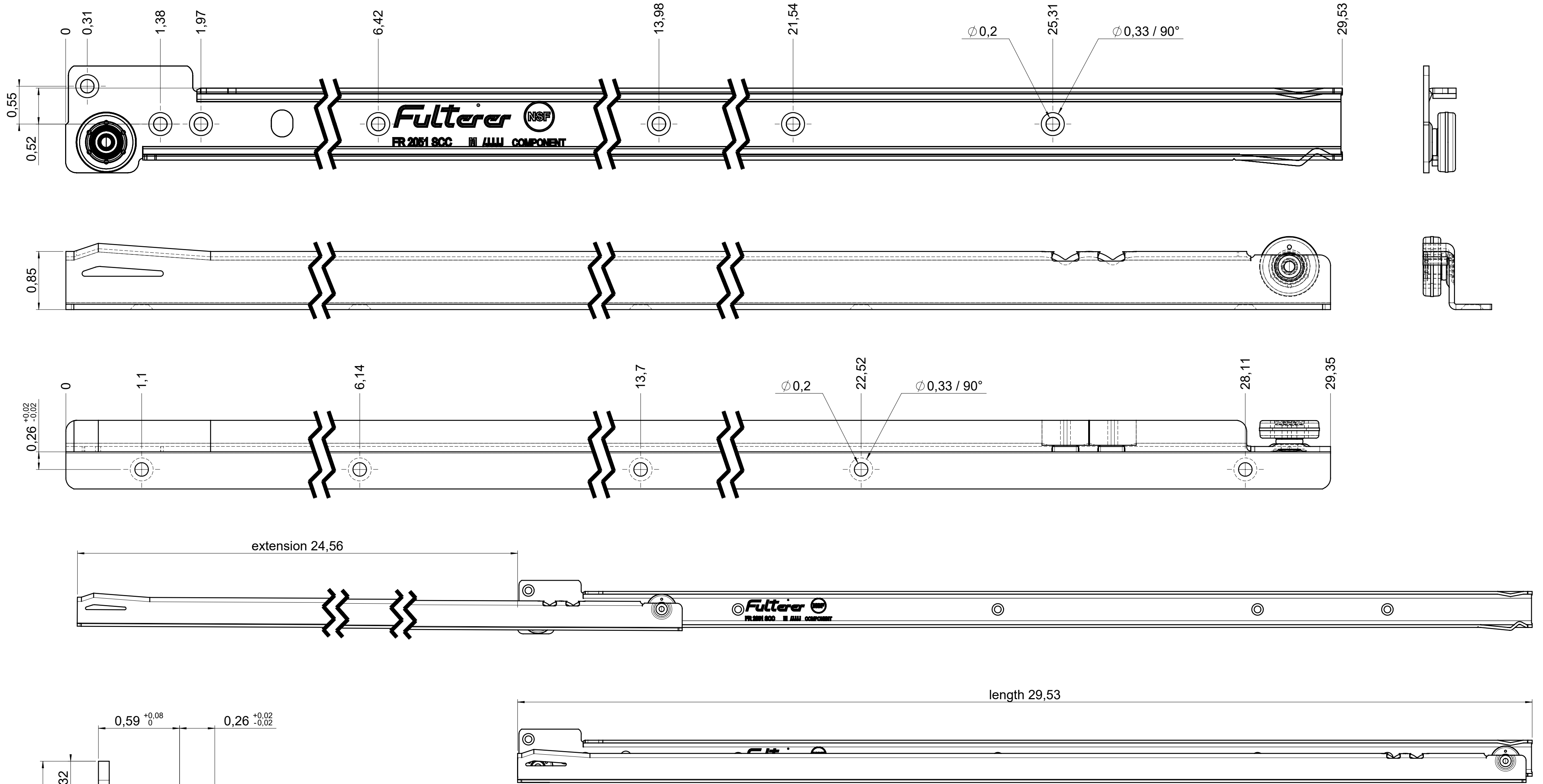


drawn left



**final approval**

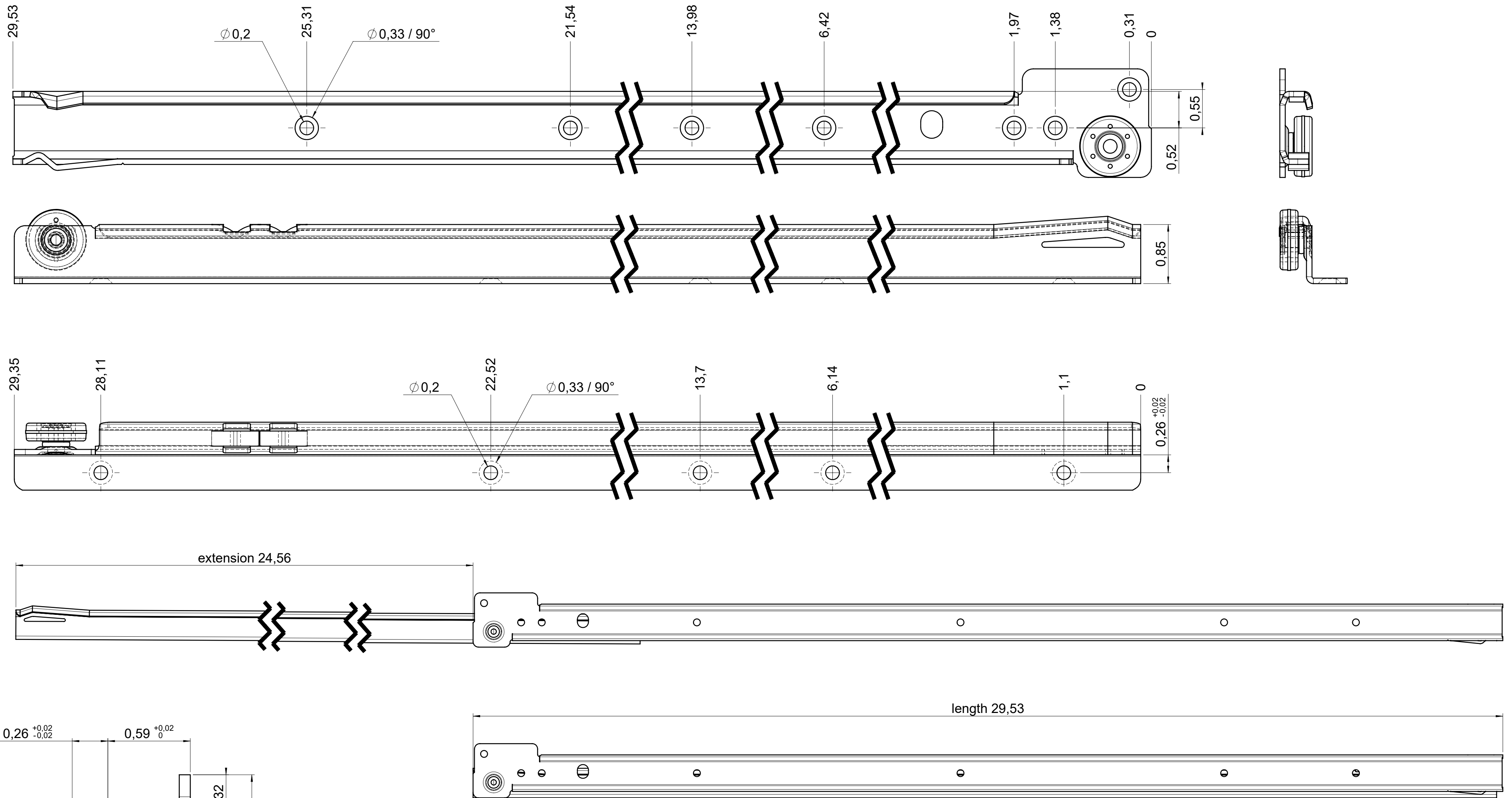
customer name:

signed by:

date:

<b>all dimensions in inch</b>				DIN ISO 128-30 missing dimensions see 3D = theor. intersection	
This drawing remains our property and may not be multiplied neither be disclosed to third parties (§§1,3 and 5 from the copyright Act (UrhG)) covered according to DIN ISO 16016					
scale: 1:1		surface:		material, semi finished parts: CS (technical requirements Fulterer)	
drawn 01-02-2023		date 01-02-2023		name ex	
proven 01-03-2023		date 01-03-2023		name pr	
<b>Fulterer</b>				description: FR 2051 / 75 CS EN (inch) regular-extension drawerside / side mount	
Fulterer AG & Co KG A-6890 Lustenau / Austria				drawing number: CS# 2051.750-GA.SB00.li	
Fulterer AG CH-9430 St. Margrethen				replaces version date:	
(k)					
(l)					
(m)					
(n)					
(o)					
(p)					
(q)					
(r)					
(s)					
(t)					
(u)					
(v)					
(w)					
(x)					
(y)					
(z)					
ind.	changes	date	na.		

drawn right



**final approval**

customer name:

signed by:

date:

<b>all dimensions in inch</b>				DIN ISO 128-30 missing dimensions see 3D = theor. intersection	
This drawing remains our property and may not be multiplied neither be disclosed to third parties (§§1,3 and 5 from the copyright Act (UrhG)) covered according to DIN ISO 16016					
scale: 1:1		surface:		material, semi finished parts: CS (technical requirements Fulterer)	
drawn 01-02-2023		date 01-02-2023		name ex	
proven 01-03-2023		date 01-03-2023		name pr	
<b>Fulterer</b>				description: FR 2051 / 75 CS EN (inch) regular-extension drawerslide / side mount	
Fulterer AG & Co KG A-6890 Lustenau / Austria				drawing number: CS# 2051.750-GA.SB00.re	
Fulterer AG CH-9430 St. Margrethen				replaces version date:	
ind.	changes	date	na.		