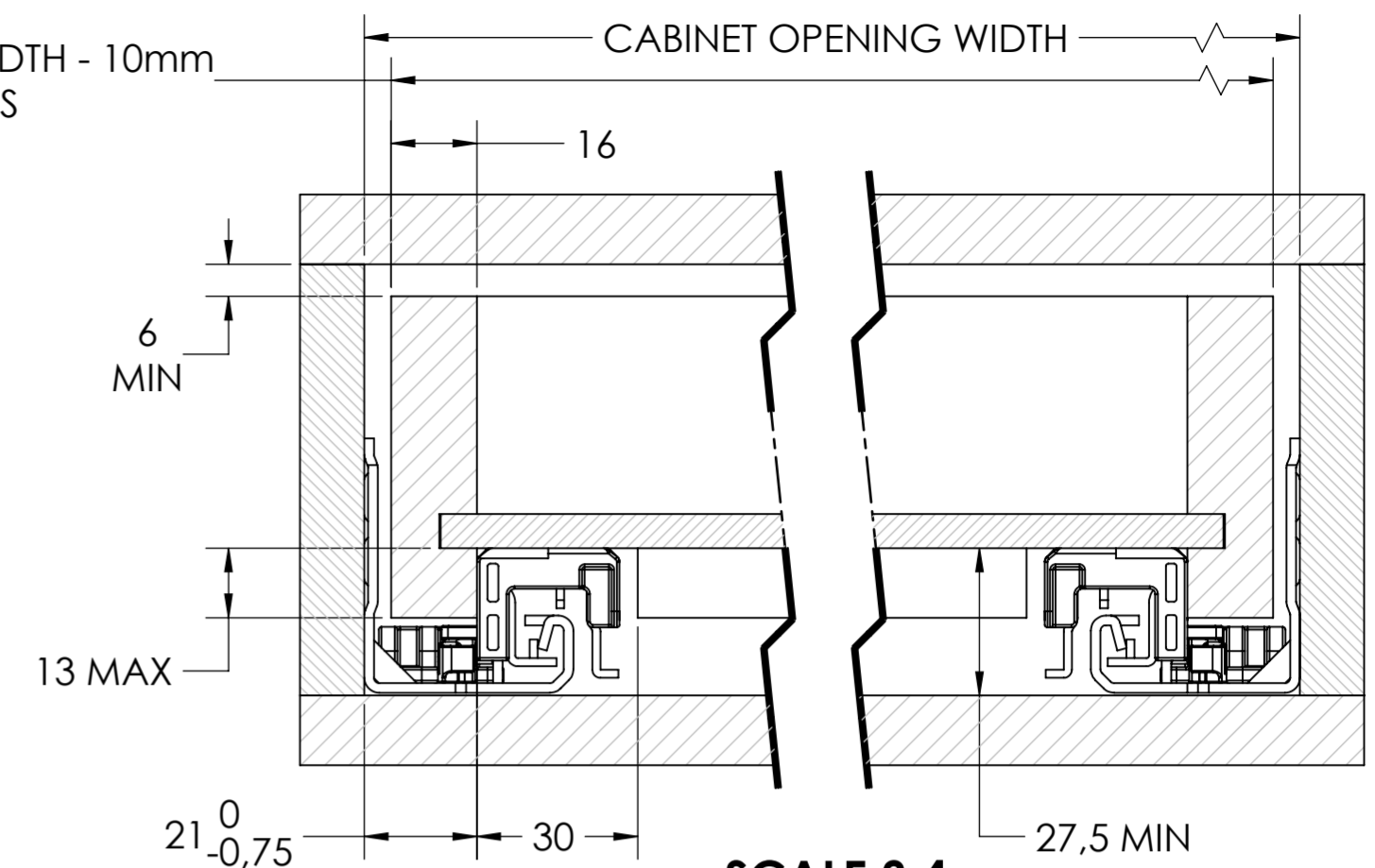
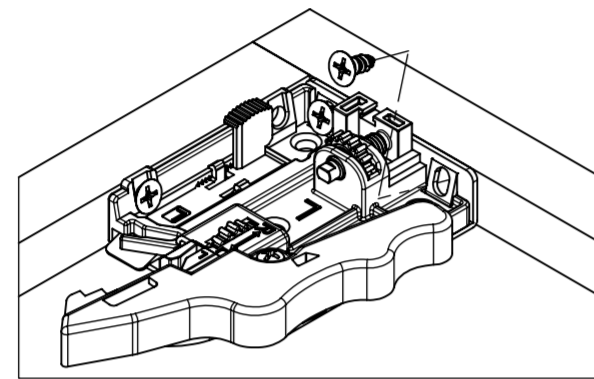


DRAWER WIDTH = CABINET OPEING WIDTH - 10mm  
WITH 16mm WALL THICKNESS

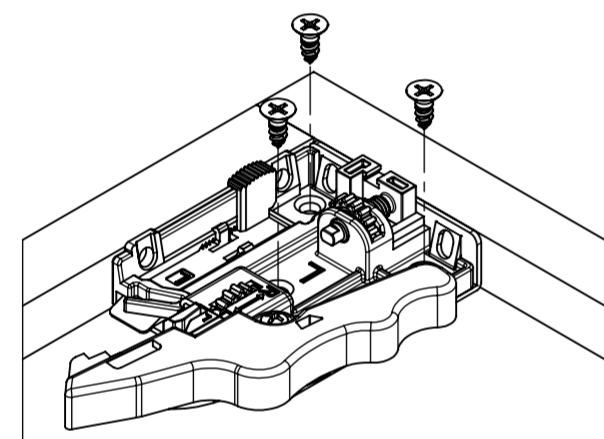
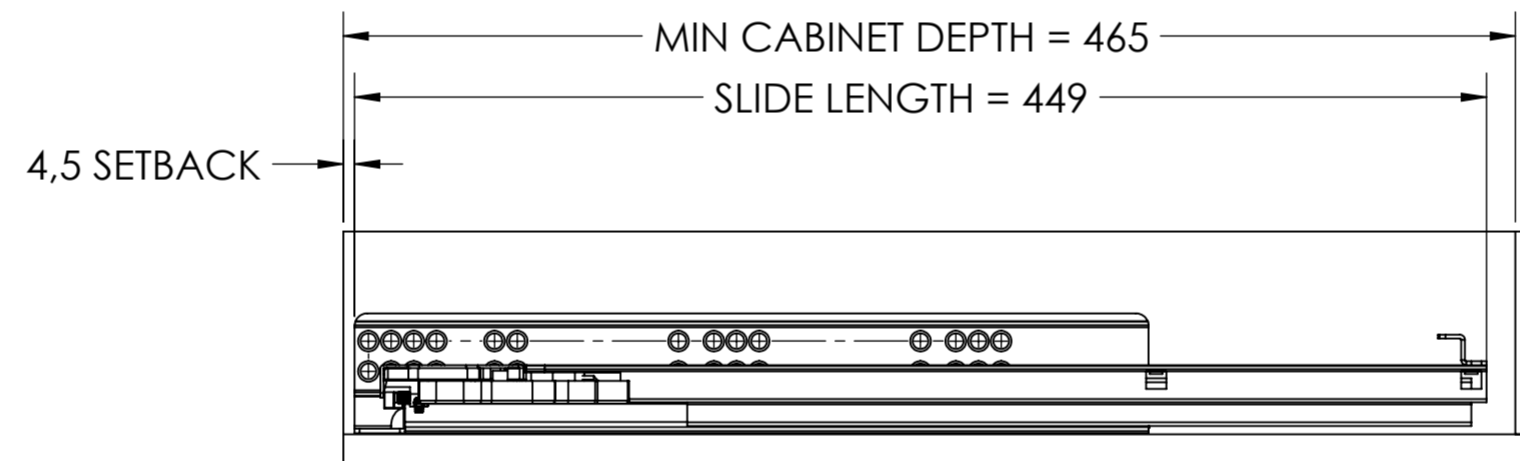
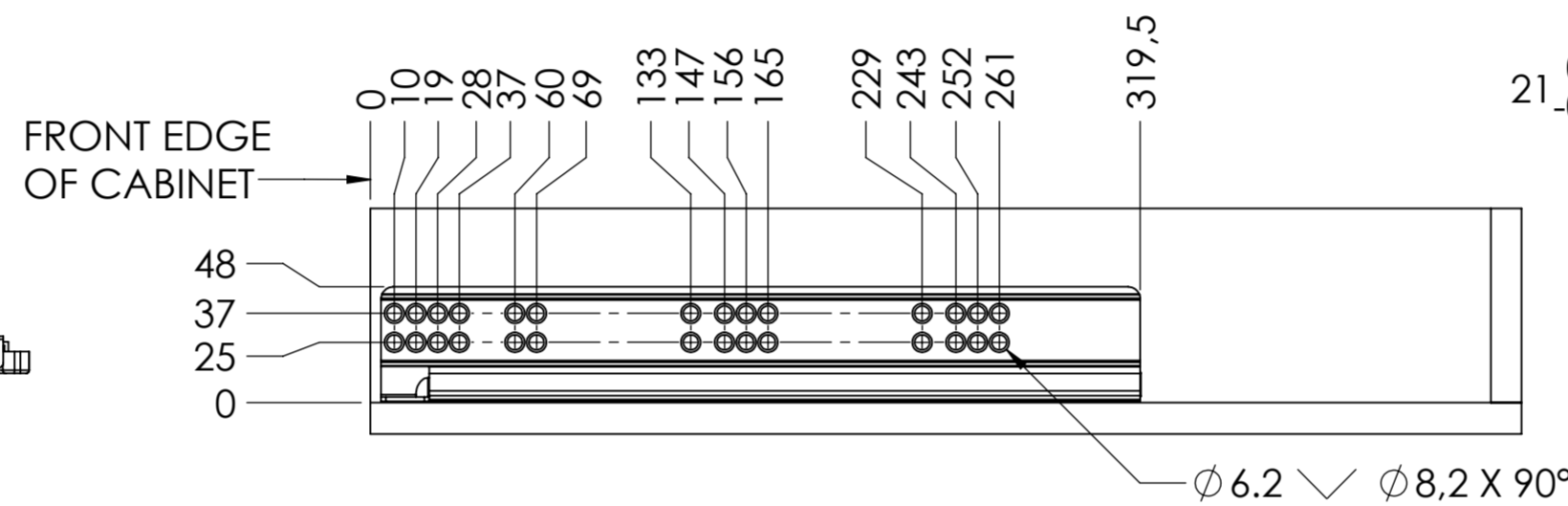


SCALE 3:4

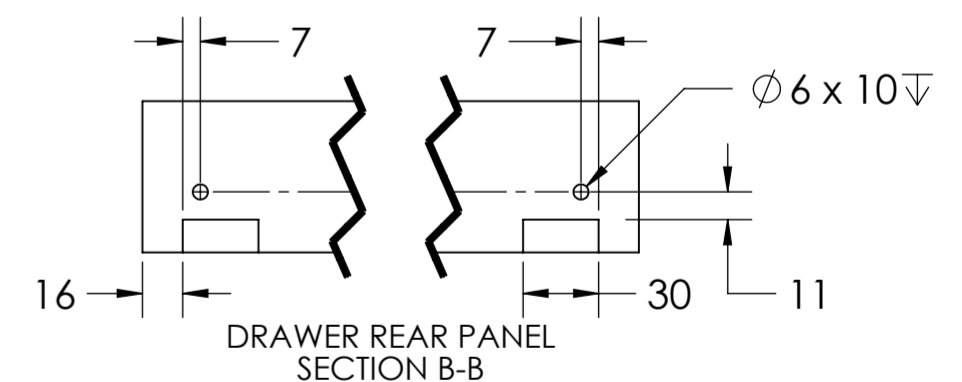
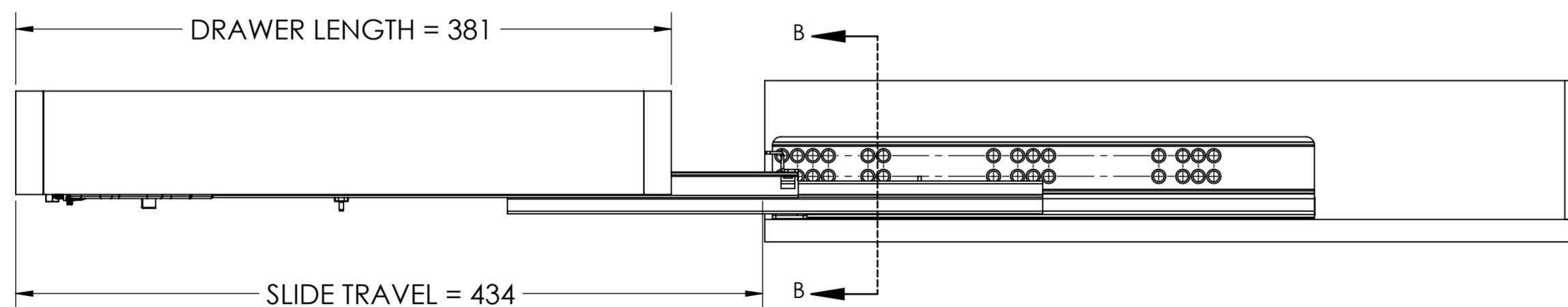


LOCKING KIT  
FRONT/SIDE MOUNT  
SCALE 1:1.5

**CABINET MOUNTING HOLES**



LOCKING KIT  
BOTTOM MOUNT  
SCALE 1:1.5



**RECOMMENDED HARDWARE:**

CABINET- M4 OR #6 FLATHEAD SCREWS

DRAWER LOCKING KIT- M3 OR #6 FLATHEAD SCREW

**NOTE:** LOCKING KIT INCLUDED WITH SLIDE

general tolerances		DIN ISO 128-30 missing dimensions see 3D = theor. intersection	
ISO 2768-m			
This drawing remains our property and may not be multiplied neither be disclosed to third parties (§§1,3 and 5 from the copyright Act (UrhG)) covered according to DIN ISO 16016			
(k)	scale:	1:3	surface:
(l)	date:	24-04-2019	name:
(m)	drawn:	HB	
(n)	proven:	00-00-0000	00
(o)	<b>Fulterer</b>		material, semi finished parts: <b>STEEL</b> (technical requirements Fulterer)
(p)			
(q)	description:		drawing number: <b>3002.450-GA.C047</b>
(r)	UNDERMOUNT FULL EXTENSION SOFT CLOSE SLIDE WITH 3 WAY LOCKING KIT		
(s)	drawing number:		replaces version date:
(t)	Fulterer AG & Co KG A-6890 Lustenau / Austria		
(u)	Fulterer AG CH-9430 St. Margrethen		
(v)	changes	date	na.