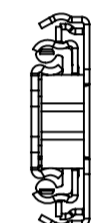
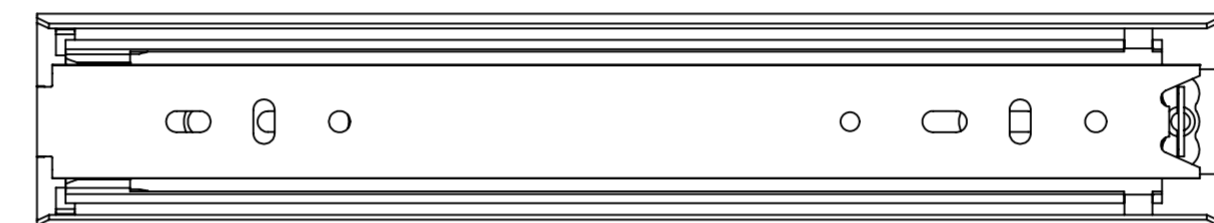
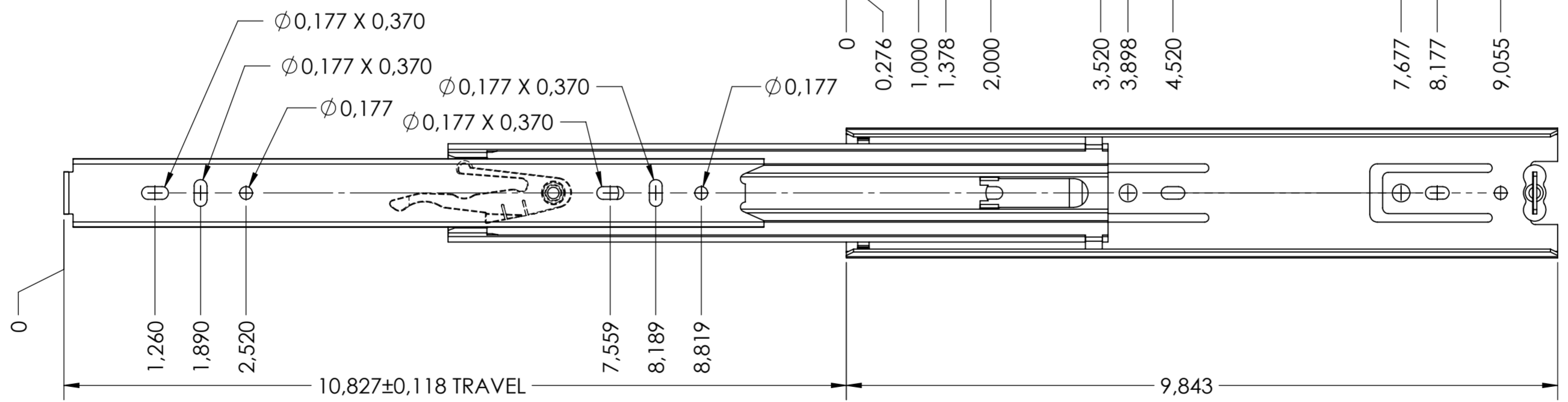
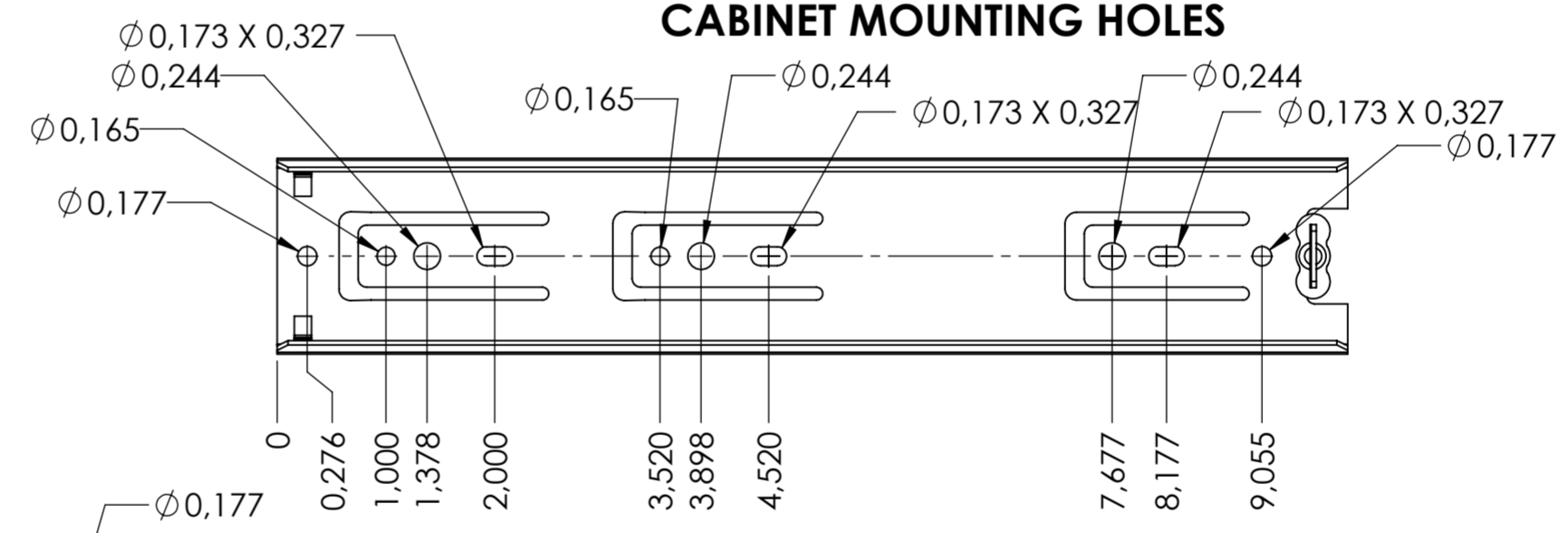


SCALE 1:1



CABINET MOUNTING HOLES



RECOMMENDED HARDWARE:
 CABINET- 3.5mm SPAX M4 BUTTON HEAD OR #8 TRUSS HEAD SCREW
 DRAWER- 3.5mm SPAX M4 BUTTON HEAD OR #8 TRUSS HEAD SCREW

general tolerances				DIN ISO 128-30 missing dimensions see 3D = theor. intersection	
ISO 2768-m					
This drawing remains our property and may not be multiplied neither be disclosed to third parties (§§1,3 and 5 from the copyright Act (UrhG))					
covered according to DIN ISO 16016			scale:	surface:	material, semi finished parts: STEEL
(k)			5:8		(technical requirements Fulterer)
(l)			date	name	description: SIDE MOUNT OVER-EXTENSION DRAWER SLIDE WITH DRAWER DISCONNECT
(m)			drawn 01-02-2019	HB	
(n)			proven 00-00-0000	00	
(o)			Fulterer		drawing number: 5000.250-GA.T030
(p)					
(q)			Fulterer AG CH-9430 St. Margrethen		replaces version date:
(r)	0	00-00-0000	0		
(s)	ind.	changes	date	na.	