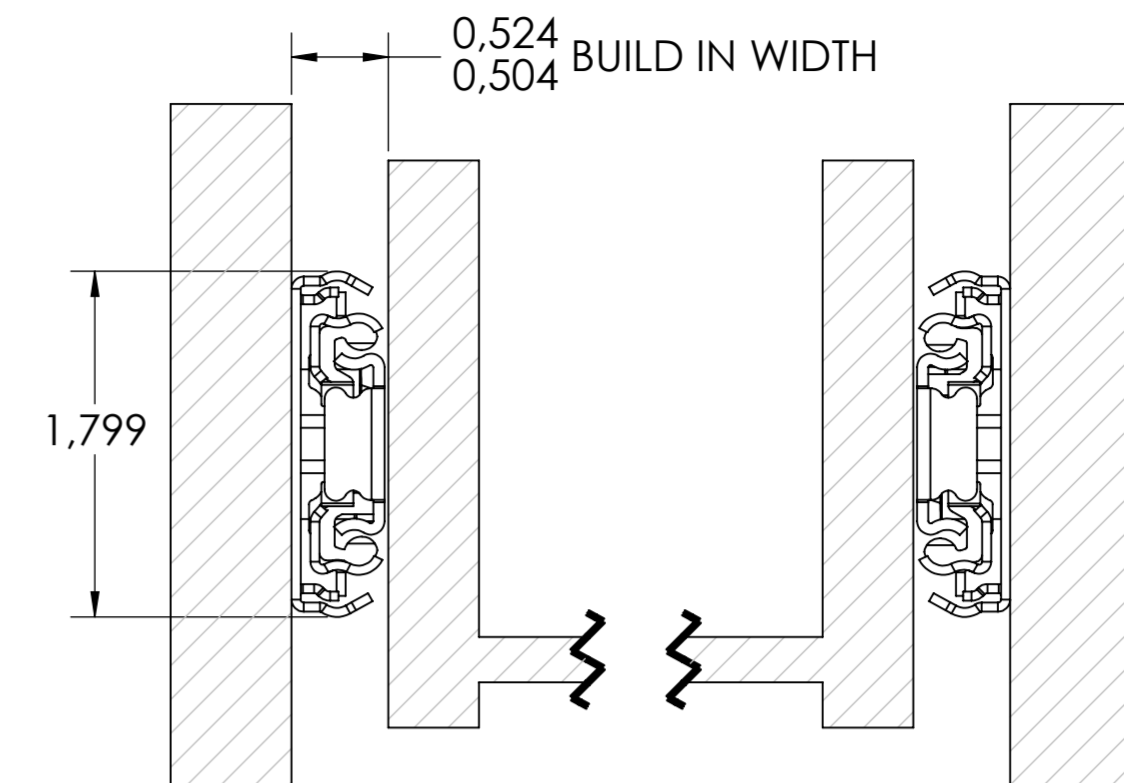
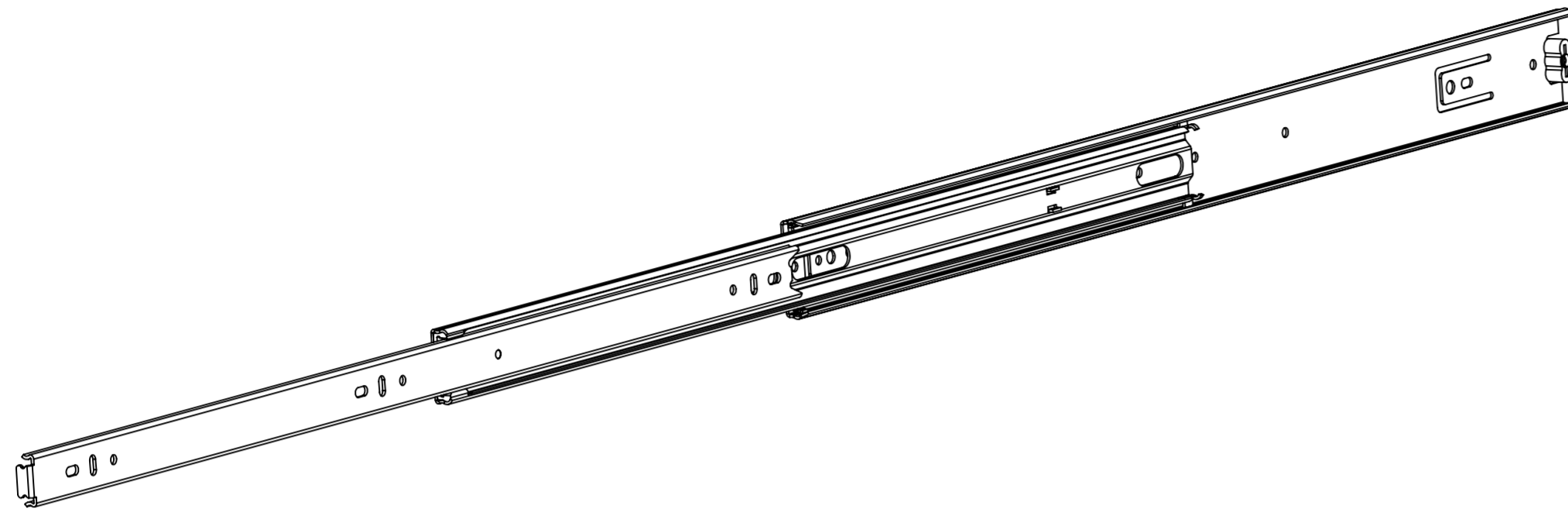


# 5000.600-GA.T000

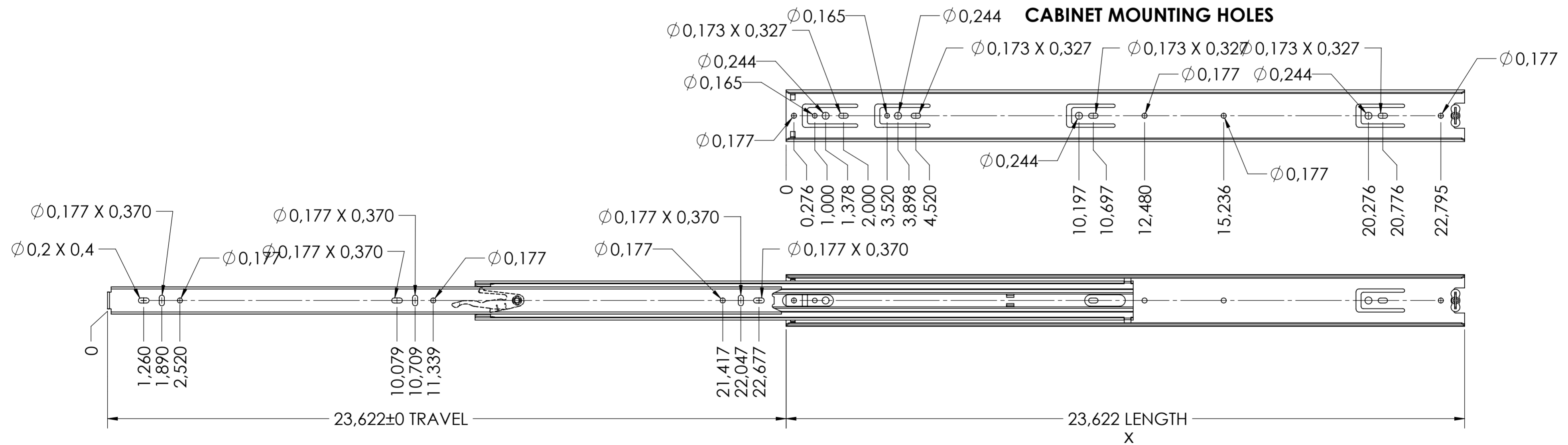
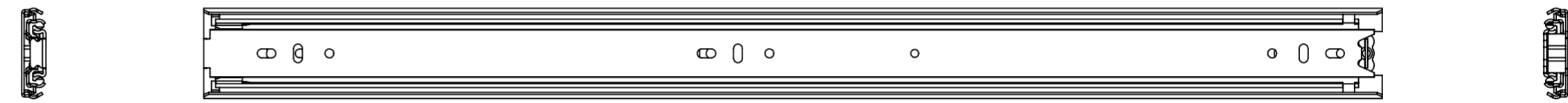
X



0,524 BUILD IN WIDTH  
0,504

1,799

SCALE 1:1



RECOMMENDED HARDWARE:  
 CABINET- M4 BUTTON HEAD OR #8 TRUSS HEAD SCREW  
 DRAWER- M4 BUTTON HEAD OR #8 TRUSS HEAD SCREW

|  |      |  |          |
|--|------|--|----------|
| general tolerances   |      | missing dimensions see 3D = theor. intersection  |          |
| ISO 2768-m   |      |  |          |
| This drawing remains our property and may not be multiplied neither be disclosed to third parties (§§1,3 and 5 from the copyright Act (UrhG)) covered according to DIN ISO 16016 |      |  |          |
| (k)  |      | scale:   | surface: |
| (l)  |      | 3:8  |          |
| (m)  |      | date   | name     |
| (n)  |      | drawn 28-09-2018                                 | HB       |
| (o)  |      | proven 00-00-0000                                | 00       |
| (p)  |      | <b>Fulterer</b>                                  |          |
| (q)  |      | Fulterer AG & Co KG<br>A-6890 Lustenau / Austria |          |
| (r)  |      | Fulterer AG<br>CH-9430 St. Margrethen            |          |
| (s)  |      | drawing number:<br><b>5000.600-GA.T000</b>       |          |
| (t)  |      | replaces version date:                           |          |
| (u)  | 0    | 00-00-0000                                       | 0        |
| (v)  | ind. | changes  | date na. |