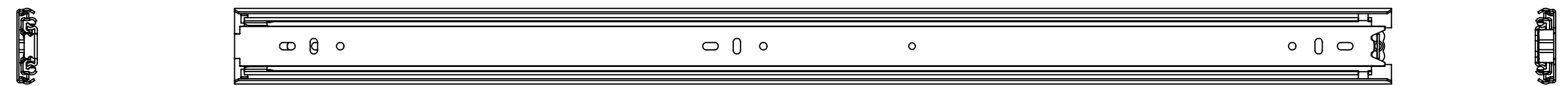
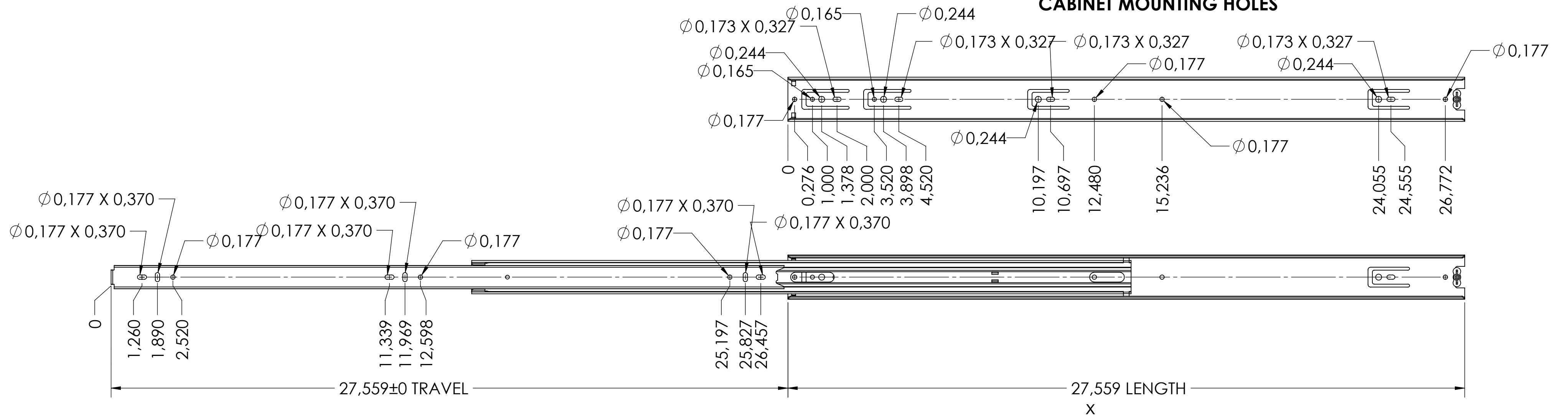


SCALE 1:1



CABINET MOUNTING HOLES



RECOMMENDED HARDWARE:

CABINET- M4 BUTTON HEAD OR #8 TRUSS HEAD SCREW

DRAWER- M4 BUTTON HEAD OR #8 TRUSS HEAD SCREW

general tolerances				missing dimensions see 3D = theor. intersection	
ISO 2768-m					
This drawing remains our property and may not be multiplied neither be disclosed to third parties (§§1,3 and 5 from the copyright Act (UrhG)) covered according to DIN ISO 16016					
(k)			scale:	surface:	material, semi finished parts:
(l)			1:3		STEEL
(m)			date	name	(technical requirements Fulterer)
(n)			drawn 28-09-2018	HB	description: FULL EXTENSION SIDE MOUNT DRAWER SLIDE WITH DRAWER DISCONNECT
(o)			proven 00-00-0000	00	
(p)			Fulterer		drawing number: 5000.700-GA.T000
(q)					
(r)			Fulterer AG & Co KG A-6890 Lustenau / Austria		replaces version date:
(s)			Fulterer AG CH-9430 St. Margrethen		
(t)	0	00-00-0000	0		
(u)	ind.	changes	date	na.	