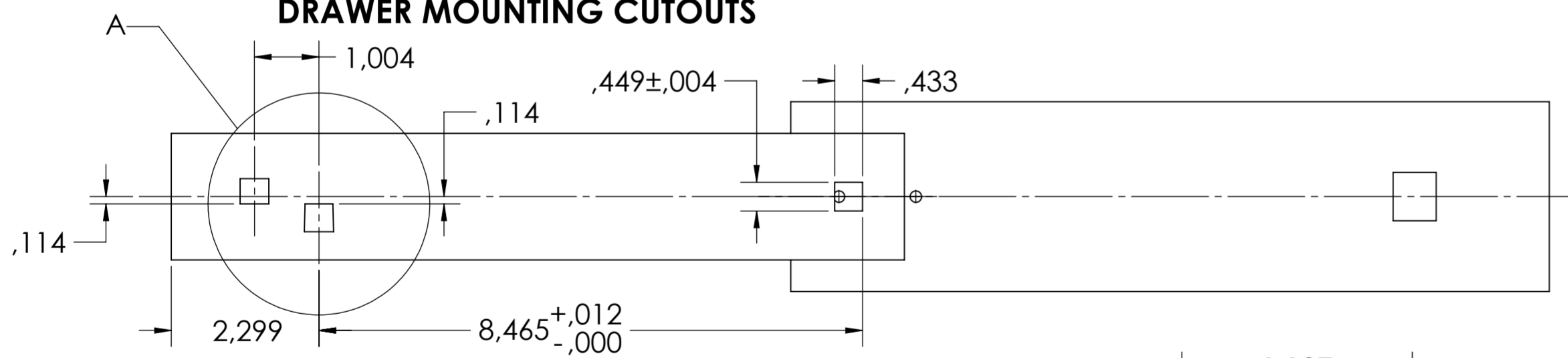
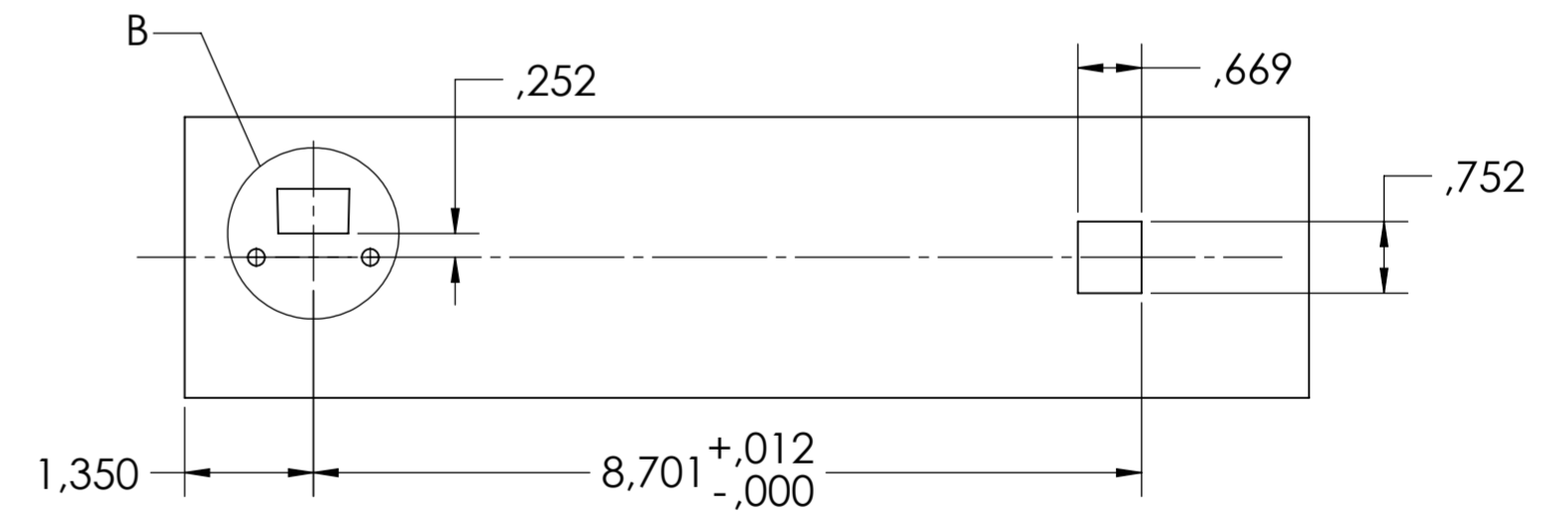


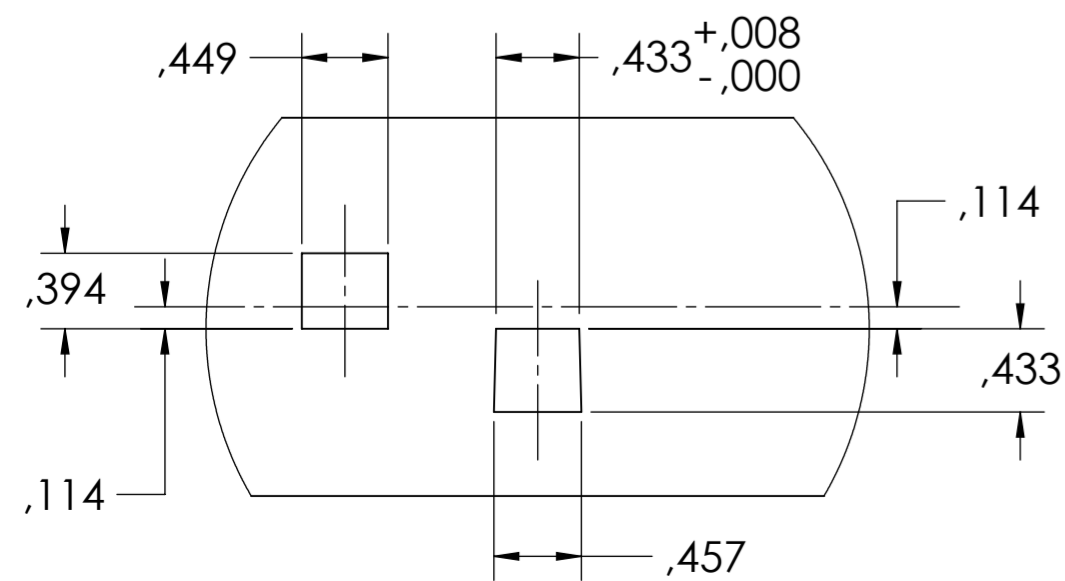
DRAWER MOUNTING CUTOUTS



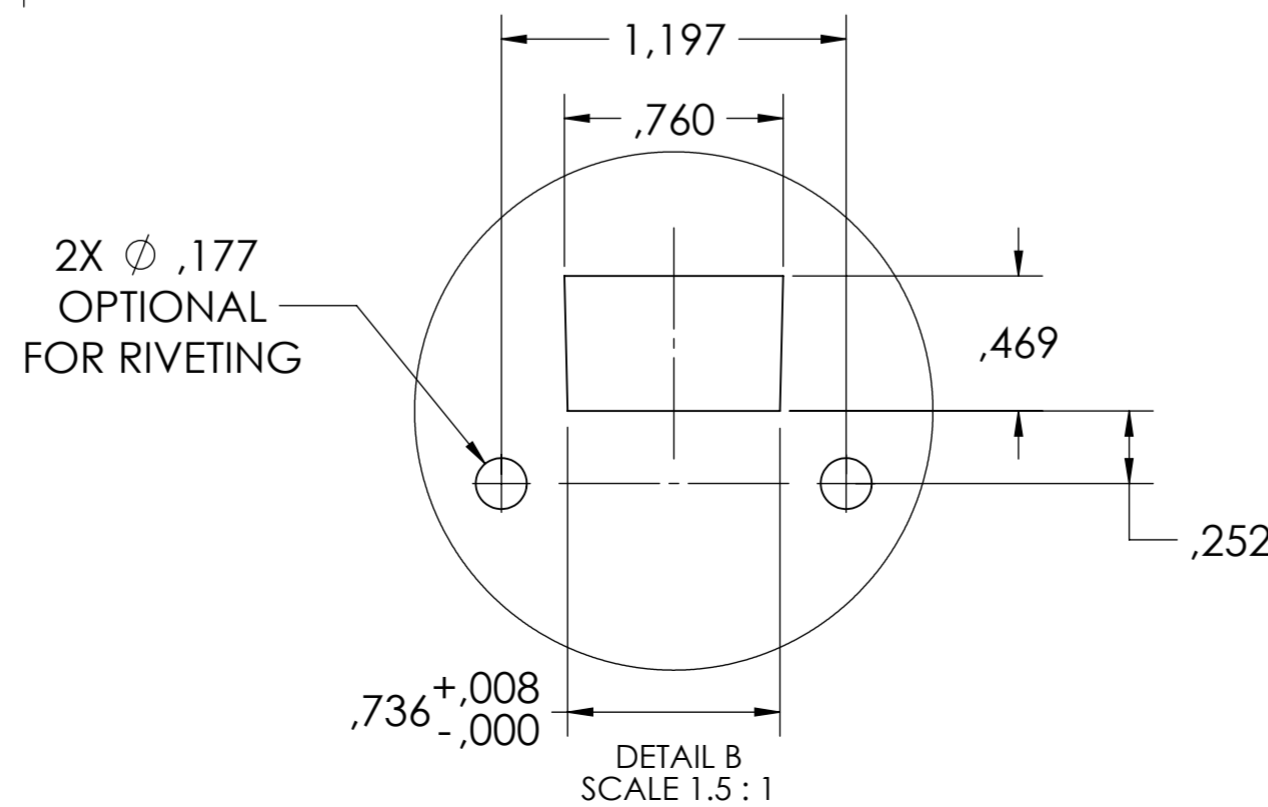
CABINET MOUNTING CUTOUTS



ECD SPRING FORCE 16N ± 2N PER SLIDE



DETAIL A
SCALE 1:1



DETAIL B
SCALE 1.5:1

general tolerances		DIN ISO 128-30 missing dimensions see 3D = theor. intersection	
ISO 2768-m			
This drawing remains our property and may not be multiplied neither be disclosed to third parties (§§1,3 and 5 from the copyright Act (UrhG)) covered according to DIN ISO 16016			
scale: 1:2		surface: A2	
date: 20-02-2019		name: HB	
proven: 00-00-0000		00	
Fulterer		material, semi finished parts: STEEL (technical requirements Fulterer)	
description: SIDE MOUNT FULL EXTENSION DRAWER SLIDE SMT SOFT CLOSE WITH DRAWER DISCONNECT		drawing number: 5001.300-GA.T105	
drawing number: 5001.300-GA.T105		replaces version date:	
ind. 0	changes	date 00-00-0000	na. 0