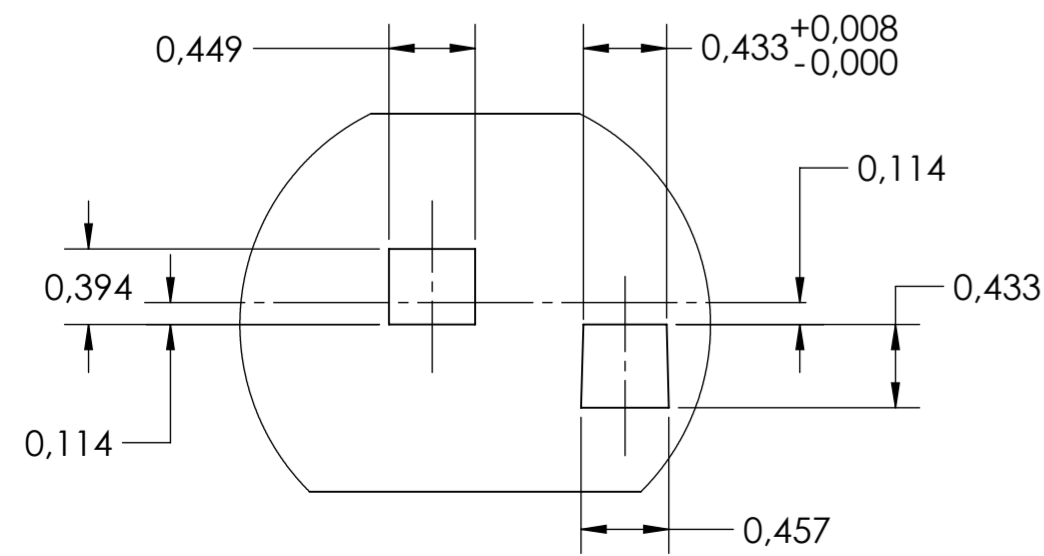
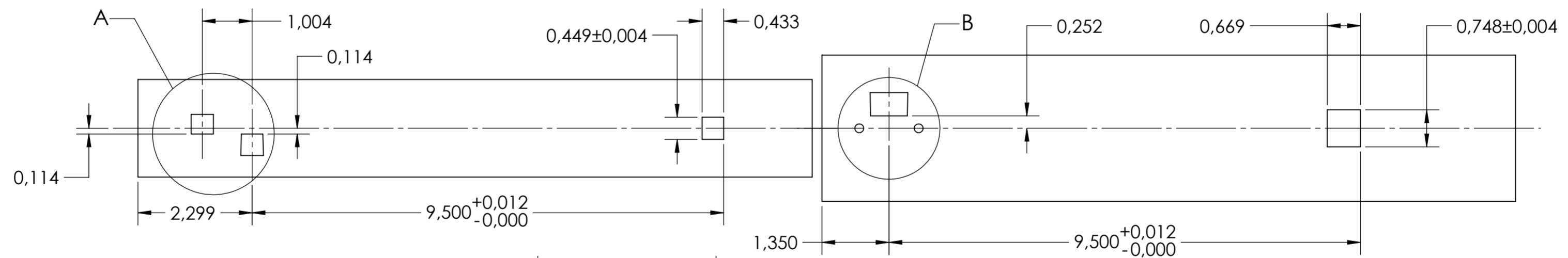
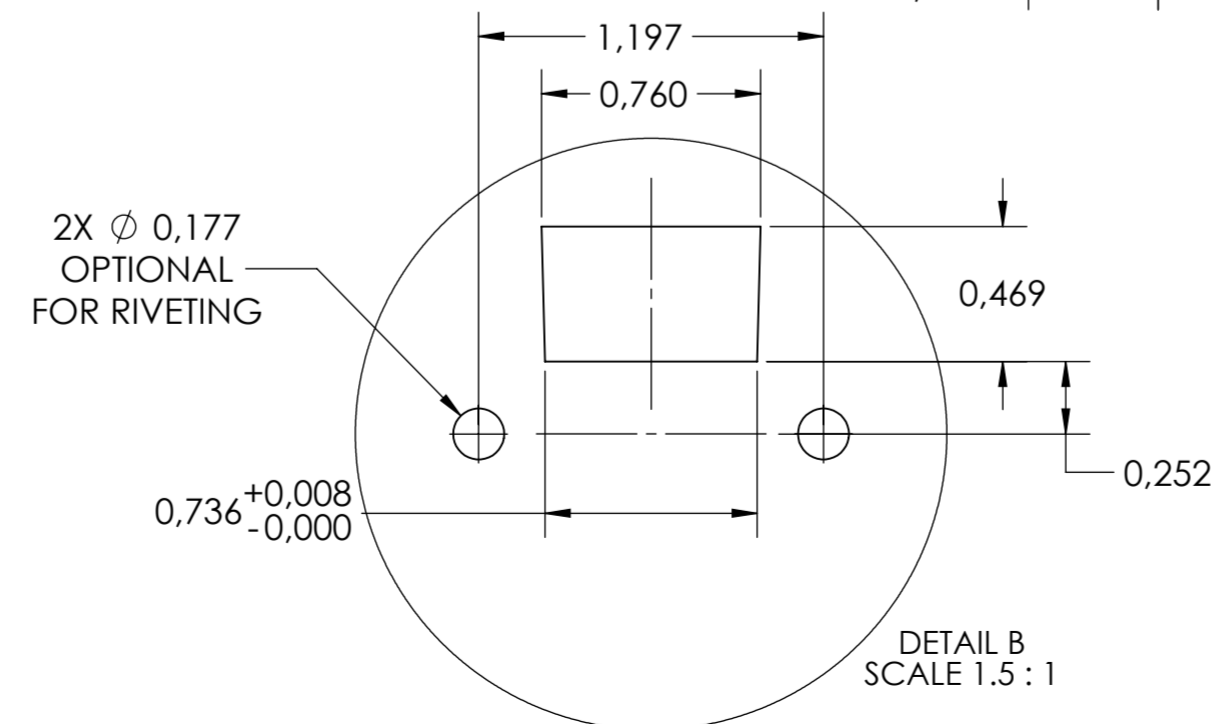


DRAWER MOUNTING CUTOUTS

CABINET MOUNTING CUTOUTS



DETAIL A
SCALE 1:1



DETAIL B
SCALE 1.5:1

ECD SPRING FORCE: 16N ± 2N PER SLIDE

general tolerances		DIN ISO 128-30 missing dimensions see 3D = theor. intersection	
ISO 2768-m			
This drawing remains our property and may not be multiplied neither be disclosed to third parties (§§1,3 and 5 from the copyright Act (UrhG)) covered according to DIN ISO 16016			
(k)		scale:	surface:
(l)		1:2	
(m)		date	name
(n)		drawn 15-02-2019	HB
(o)		proven 00-00-0000	00
(p)		Fulterer	
(q)			
(r)		material, semi finished parts: STEEL (technical requirements Fulterer)	
(s)		description: SIDE MOUNT FULL EXTENSION SMT (0.9) SOFT CLOSE DRAWER SLIDE WITH DISCONNECT	
(t)		drawing number: 5001.355-GA.T104	
(u)		replaces version date:	
(v)			
(w)			
(x)			
(y)			
(z)			
ind.	changes	date	na.