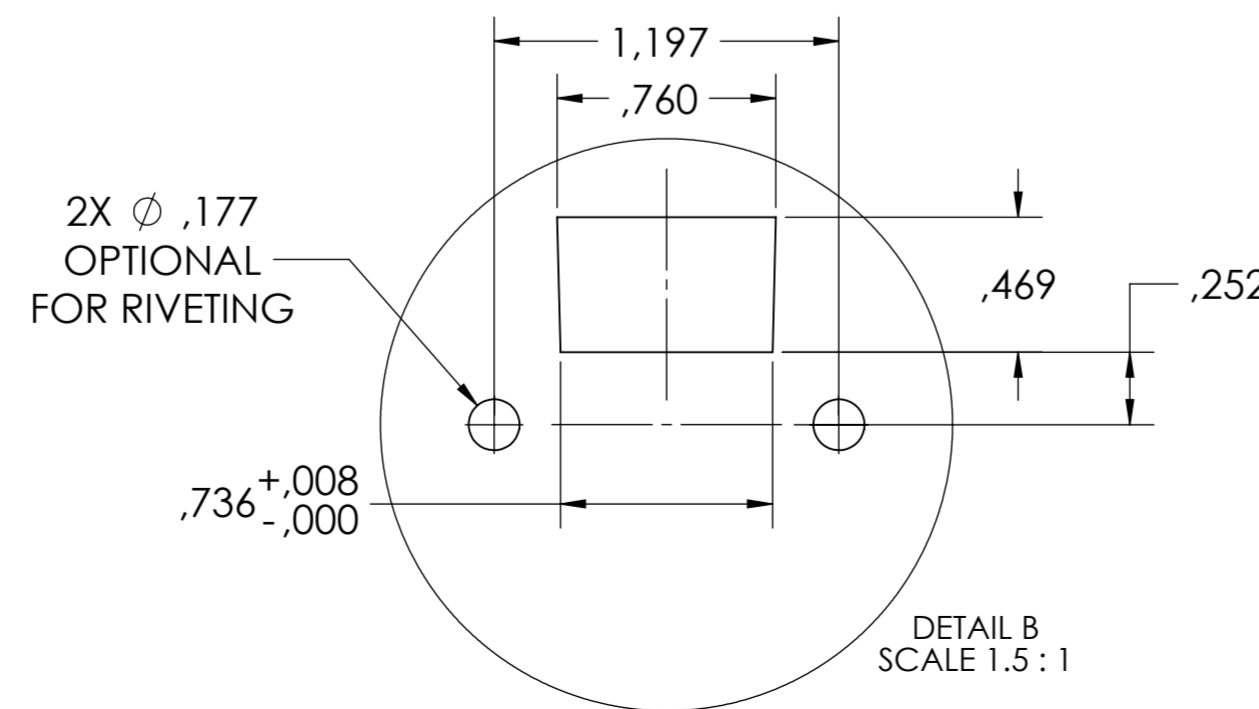
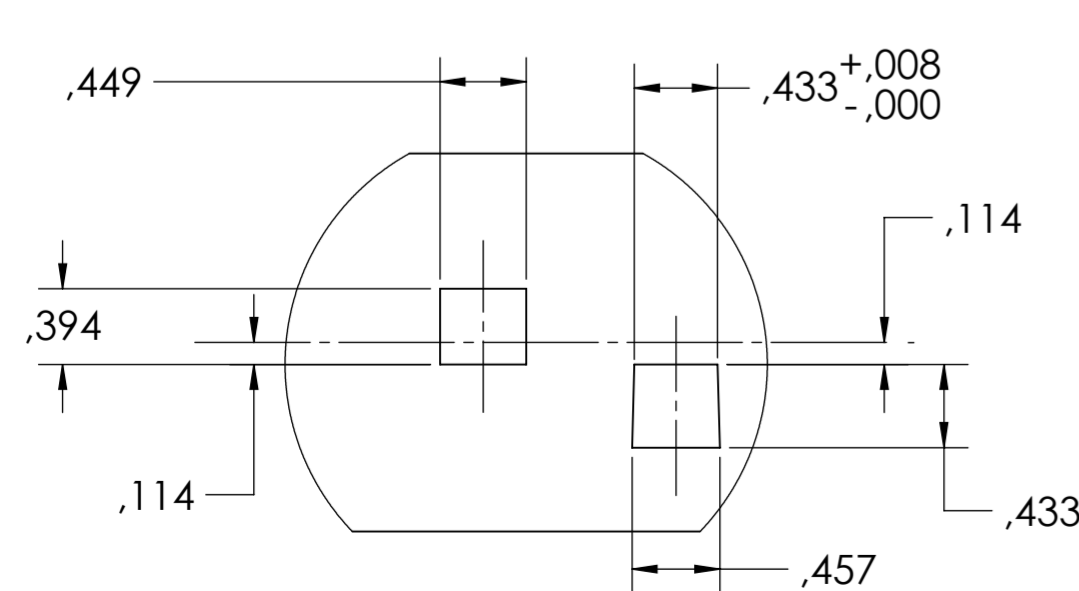
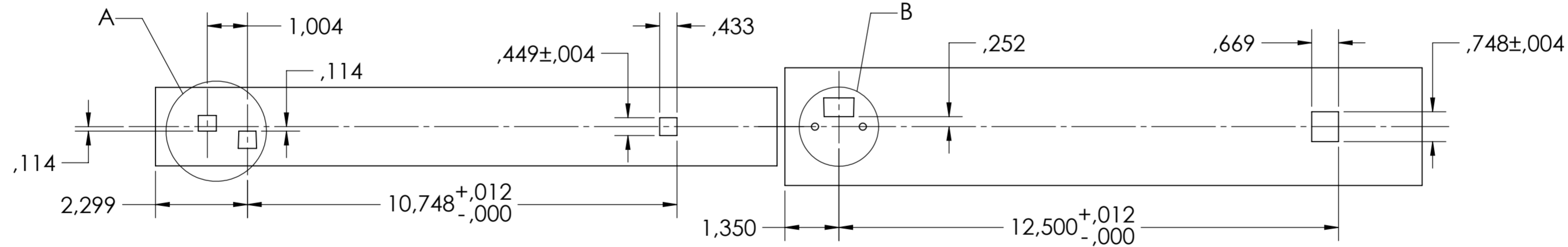


DRAWER MOUNTING CUTOUTS

CABINET MOUNTING CUTOUTS



ECD SPRING FORCE: 16N ± 2N PER SLIDE

general tolerances		DIN ISO 128-30 missing dimensions see 3D = theor. intersection	
ISO 2768-m			
This drawing remains our property and may not be multiplied neither be disclosed to third parties (§§1,3 and 5 from the copyright Act (UrhG)) covered according to DIN ISO 16016			
(k)	scale:	surface:	material, semi finished parts:
(l)	3:8		STEEL
(m)	drawn	date	name
(n)	proven	00-00-0000	00
(o)	description:		(technical requirements Fulterer)
(p)	SIDE MOUNT FULL EXTENSION		
(q)	SMT (0.9) SOFT CLOSE DRAWER		
(r)	SLIDE WITH DISCONNECT		
(s)	drawing number:		
(t)	5001.405-GA.T104		
(u)	replaces version date:		
(v)	Fulterer AG & Co KG		
(w)	A-6890 Lustenau / Austria		
(x)	Fulterer AG		
(y)	CH-9430 St. Margrethen		
(z)	ind.	changes	date
			na.