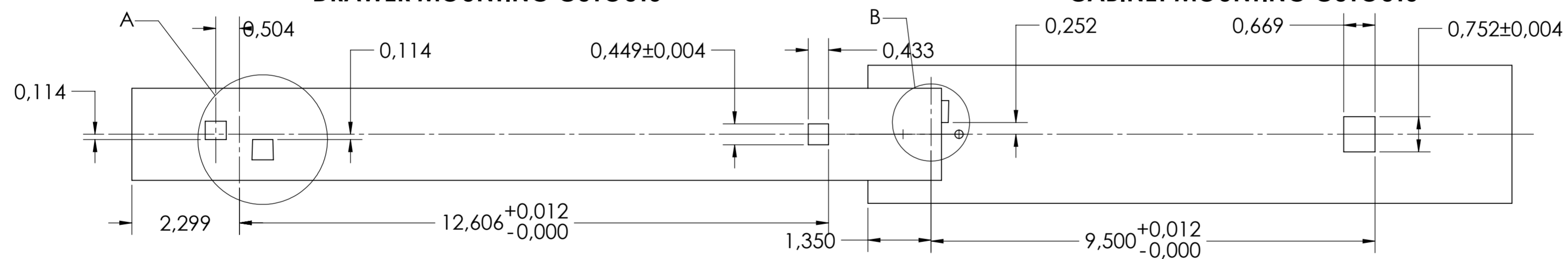
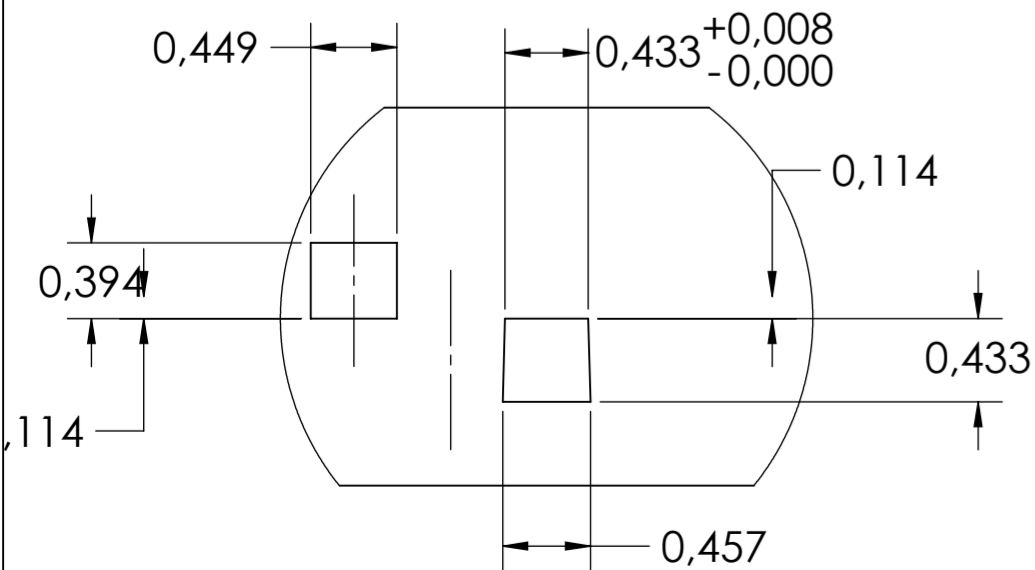


**DRAWER MOUNTING CUTOUTS**

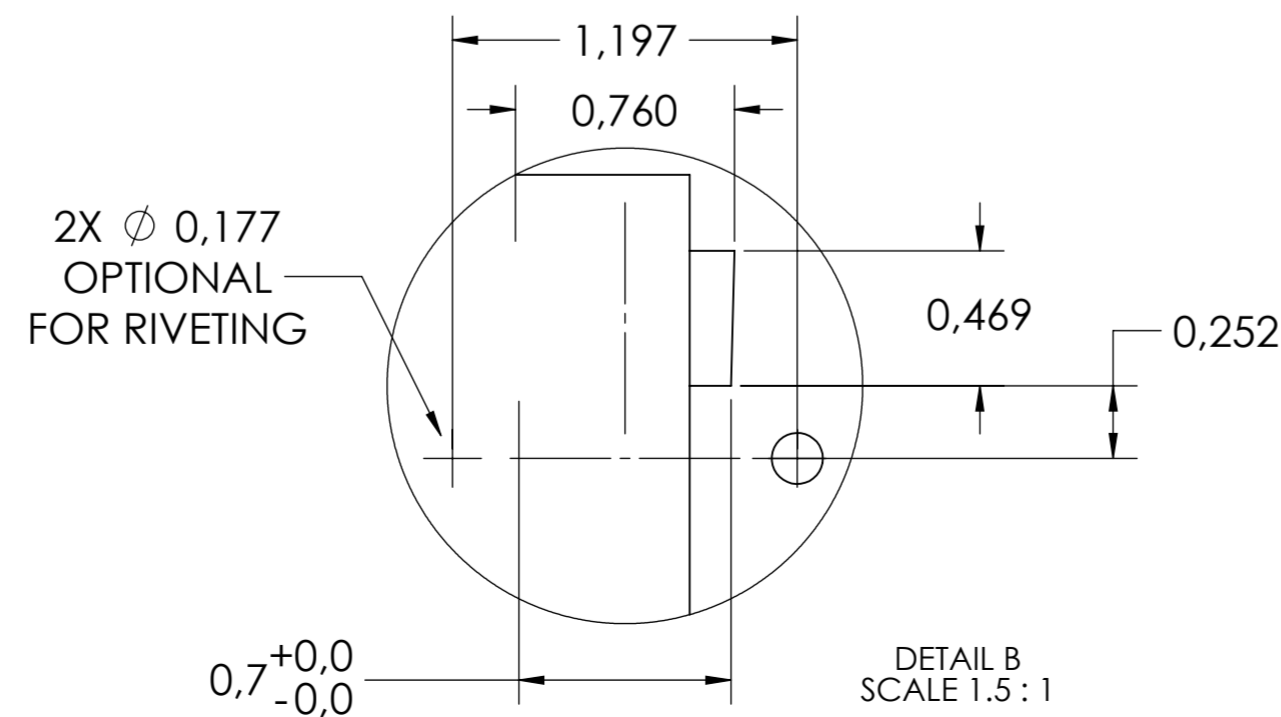
**CABINET MOUNTING CUTOUTS**



**ECD SPRING FORCE 16N ± 2N PER SLIDE**



DETAIL A  
SCALE 1:1



DETAIL B  
SCALE 1.5:1

general tolerances		DIN ISO 128-30 missing dimensions see 3D = theor. intersection	
ISO 2768-m			
This drawing remains our property and may not be multiplied neither be disclosed to third parties (§§1,3 and 5 from the copyright Act (UrhG)) covered according to DIN ISO 16016			
(k)	scale:	1:2	surface:
(l)	date	20-02-2019	name
(m)	drawn	HB	
(n)	proven	00-00-0000	00
(o)	<b>Fulterer</b>		material, semi finished parts:
(p)			STEEL
(q)	<b>Fulterer AG &amp; Co KG</b> A-6890 Lustenau / Austria		(technical requirements Fulterer)
(r)			description:
(s)	<b>Fulterer AG</b> CH-9430 St. Margrethen		SIDE MOUNT FULL EXTENSION DRAWER SLIDE SMT SOFT CLOSE WITH DRAWER DISCONNECT
(t)			drawing number:
(u)	ind. changes		<b>5001.405-GA.T105</b>
(v)			date
(w)	na.		